

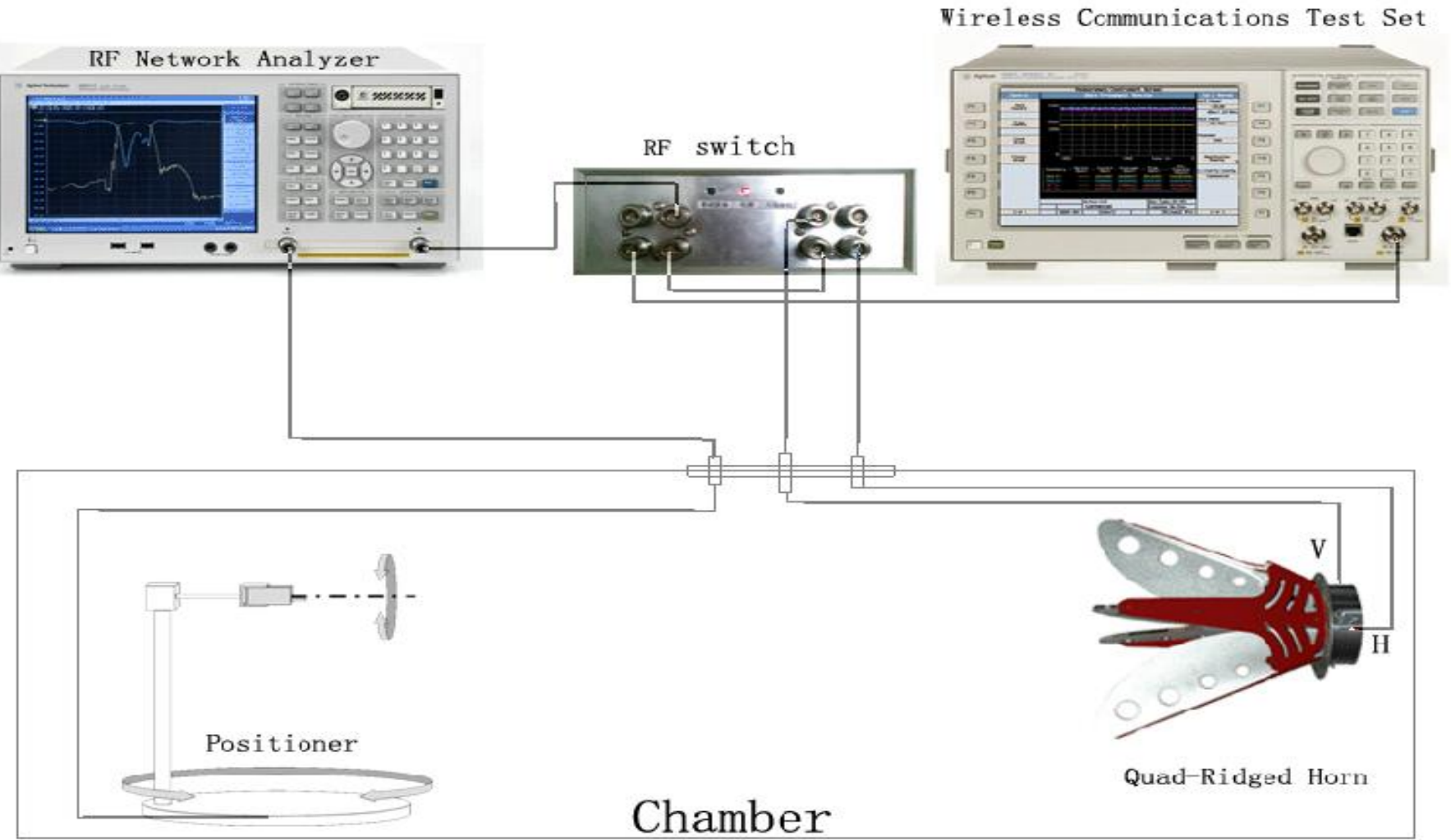
Shenzhen ATN communication co.,Ltd

Antenna test report

Customer:	Mees	Project name	S60	date	Jan 19, 2024
band	2.4G-2.48GHz				
Report version	V1.0				
Antenna type	FPC, monopole, antenna model:ATN1478				

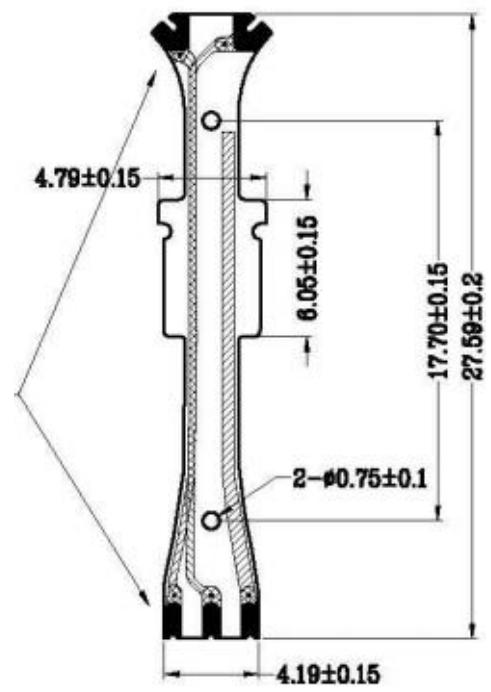
Address:505, Buiding 2, Mei sheng chuang gu, NO.10
Longchang Road, Xin' an Street, Bao' an
District, Shenzhen, Guangdong, China

Test system

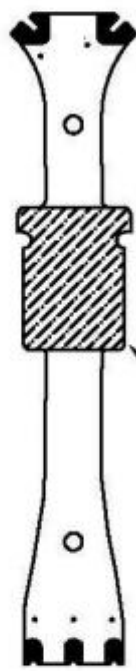


ATN antenna

Antenna size unit: mm

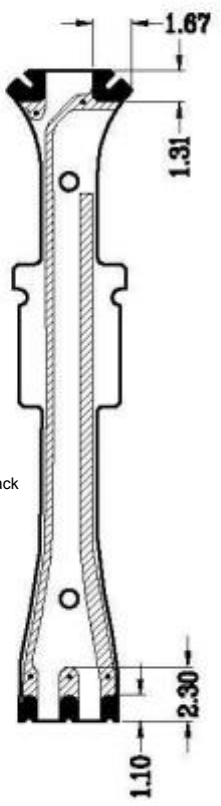


TOP

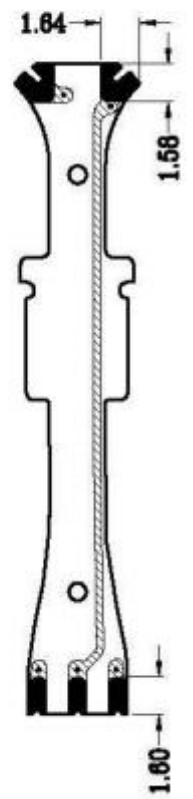


丝印亮黑
silk screen bright black

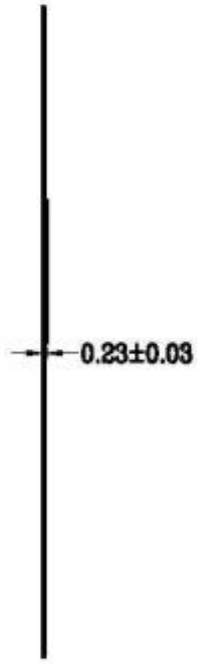
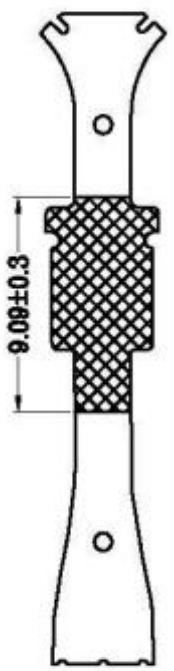
TOP



BOTTOM



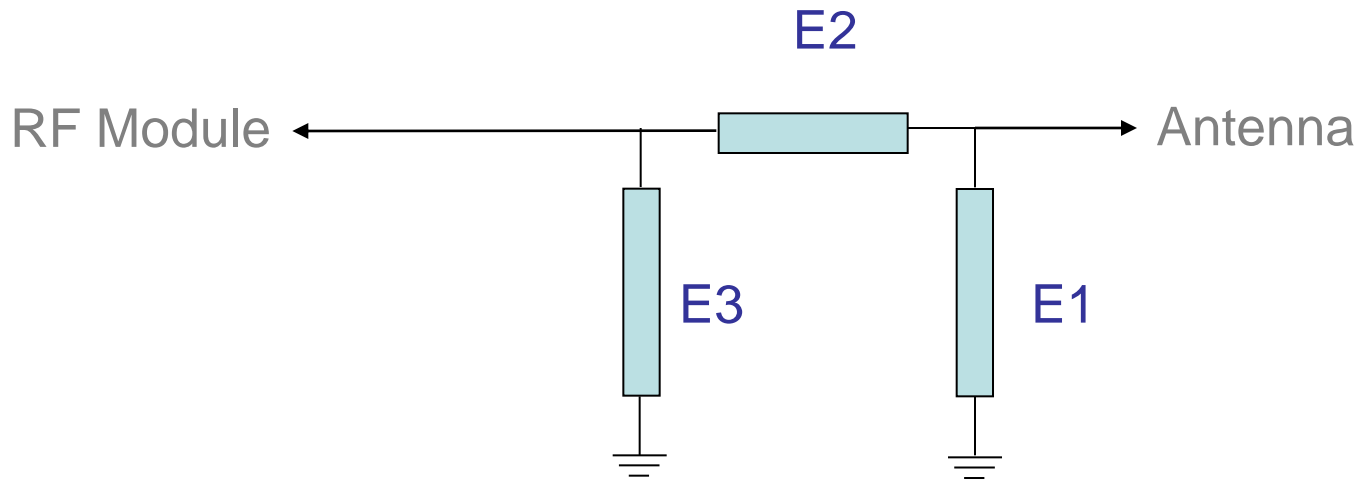
BOTTOM



Catalog

1. Match circuit
2. Passive test data
3. OTA test data
4. Distance test

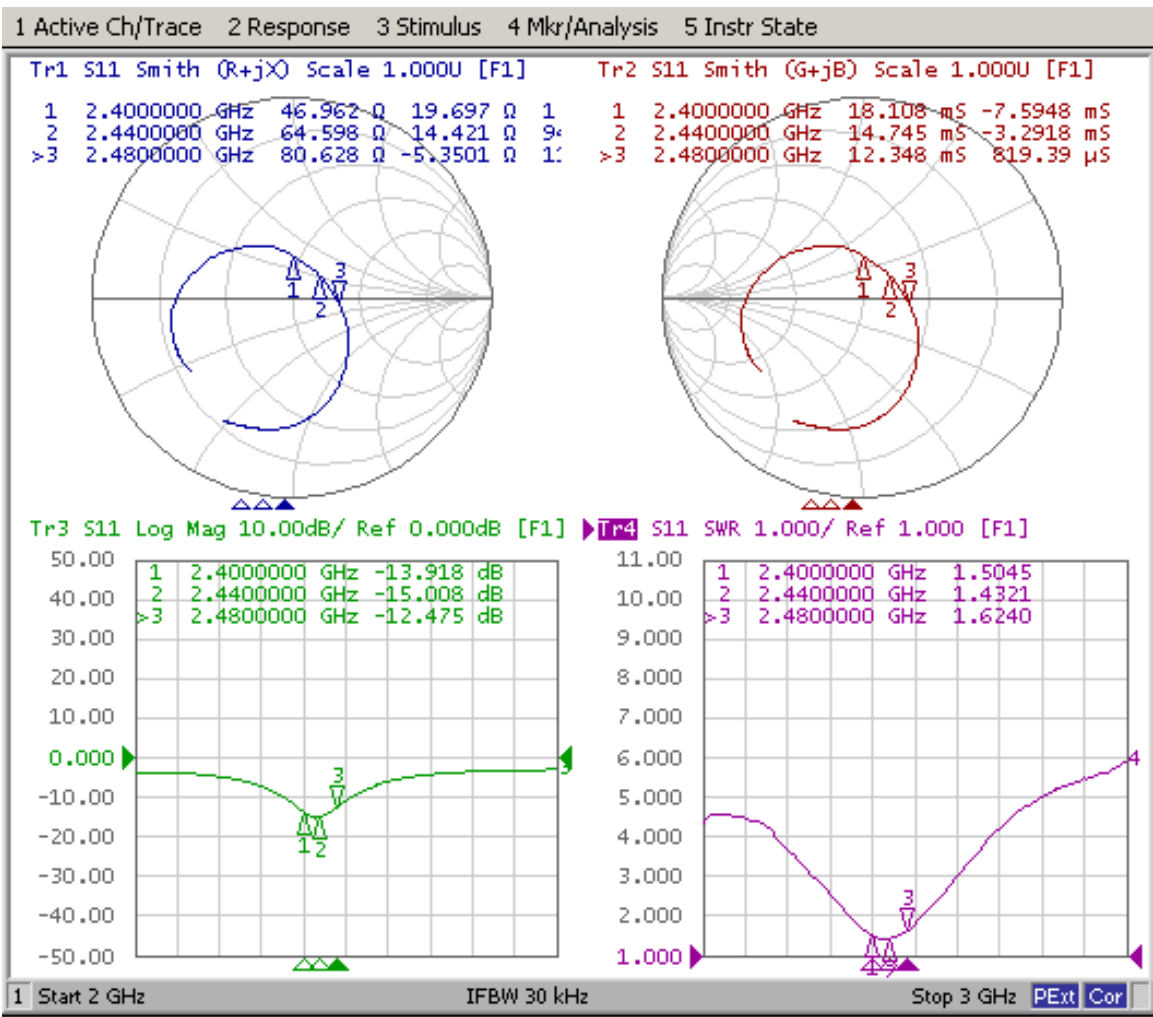
1. match circuit



Element	Value
E1(0201)	1.0pF(GRM0335C1H1R0BA01D)
E2(0201)	0Ω
E3(0201)	NC

2. Passive data

2.1 S11 Parameter

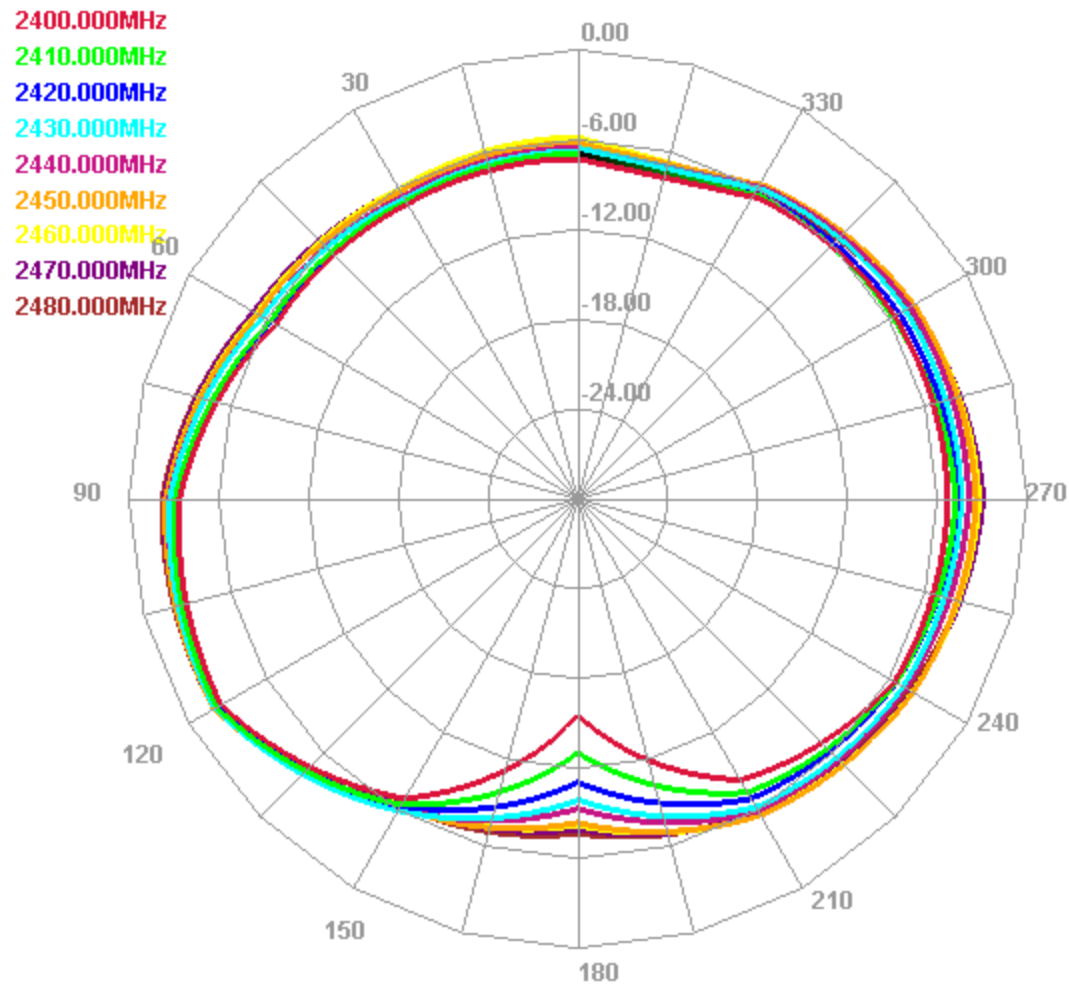


2.2 Gain & Efficiency

Freq (MHz)	Effi (%)	Effi (dB)	Gain (dBi)
2400	35	-4.56	-0.58
2410	36.02	-4.43	-0.75
2420	34.11	-4.67	-0.81
2430	35.61	-4.48	-0.74
2440	35.82	-4.46	-0.68
2450	38.17	-4.18	-0.56
2460	38.85	-4.11	-0.31
2470	39.08	-4.08	-0.35
2480	37.65	-4.24	-0.59

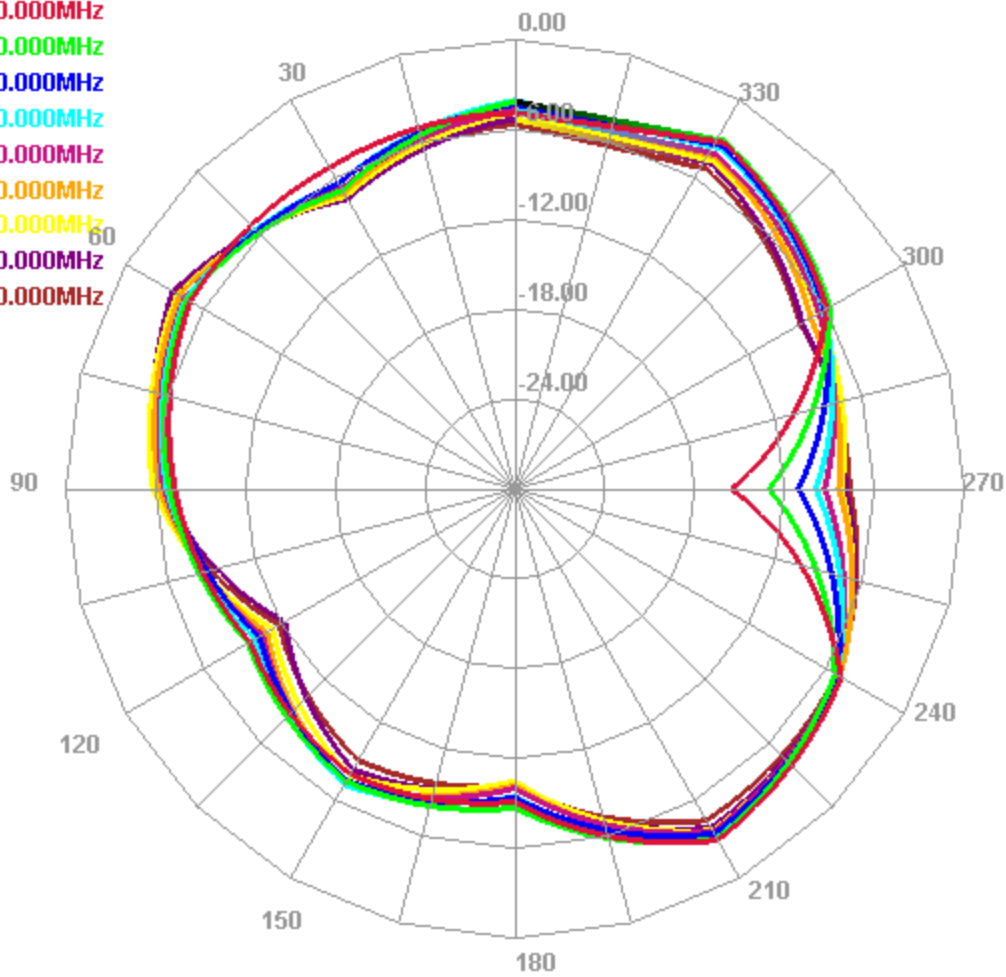
2.3 Radiation pattern (Gain unit: dBi)

Horizontal



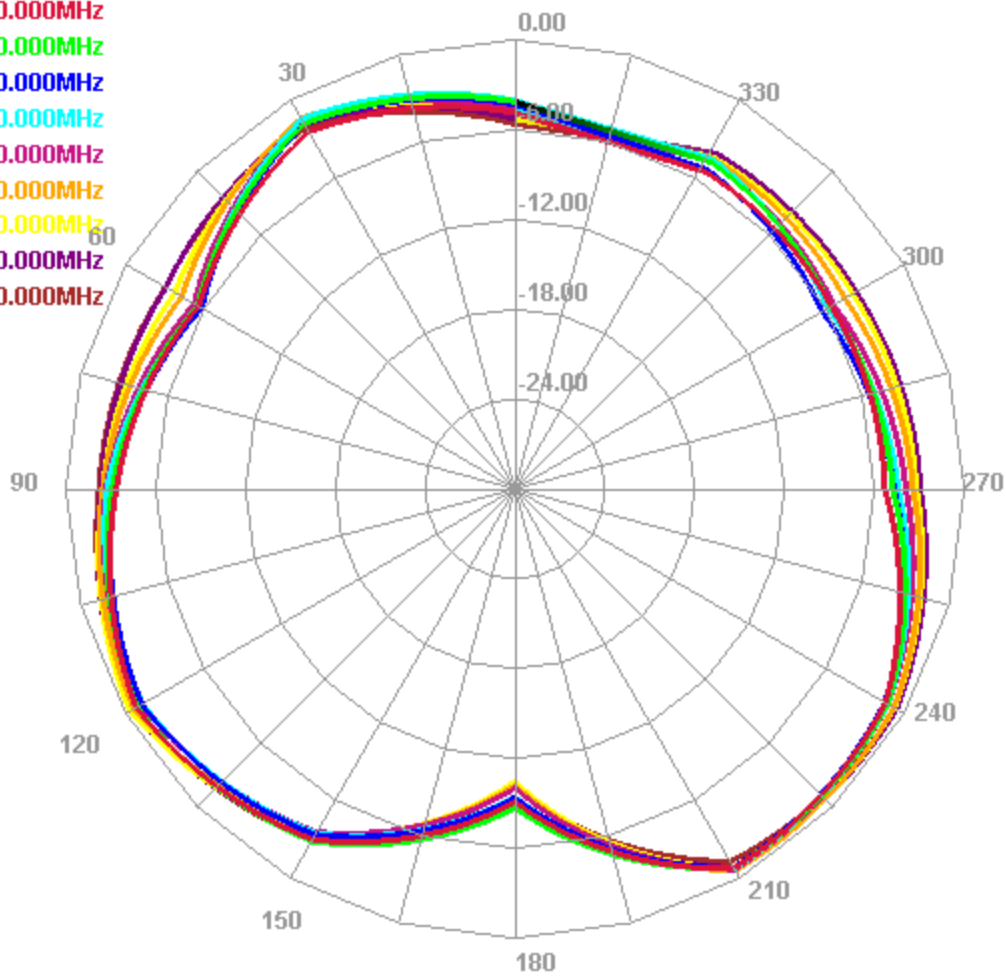
E1 Face

- 2400.000MHz
- 2410.000MHz
- 2420.000MHz
- 2430.000MHz
- 2440.000MHz
- 2450.000MHz
- 2460.000MHz
- 2470.000MHz
- 2480.000MHz



E2 Face

- 2400.000MHz
- 2410.000MHz
- 2420.000MHz
- 2430.000MHz
- 2440.000MHz
- 2450.000MHz
- 2460.000MHz
- 2470.000MHz
- 2480.000MHz



3. OTA test data

band	channel	TRP (dBm)	TIS (dBm)
Bluetooth BR(L)	0	7.1	-90.3
	39	7.7	-90.7
	78	7.3	-89.3

band	channel	TRP (dBm)	TIS (dBm)
Bluetooth BR(R)	0	6.6	-89.6
	39	7.2	-90.1
	78	7.2	-88.3

4. Distance test

Mobile phone	SAMSUNG S8
Distance (360°)	16m