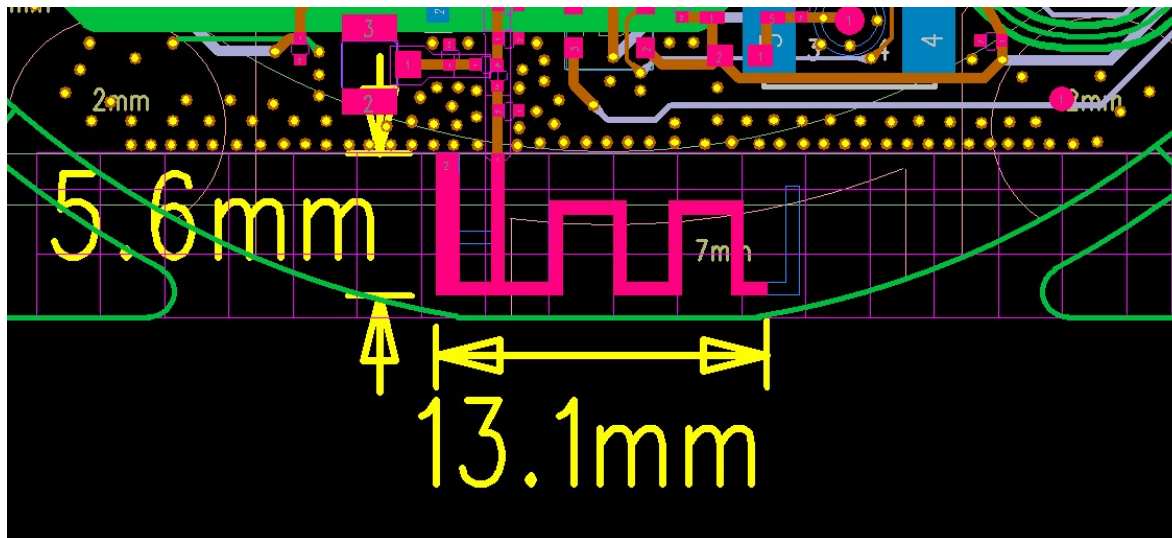
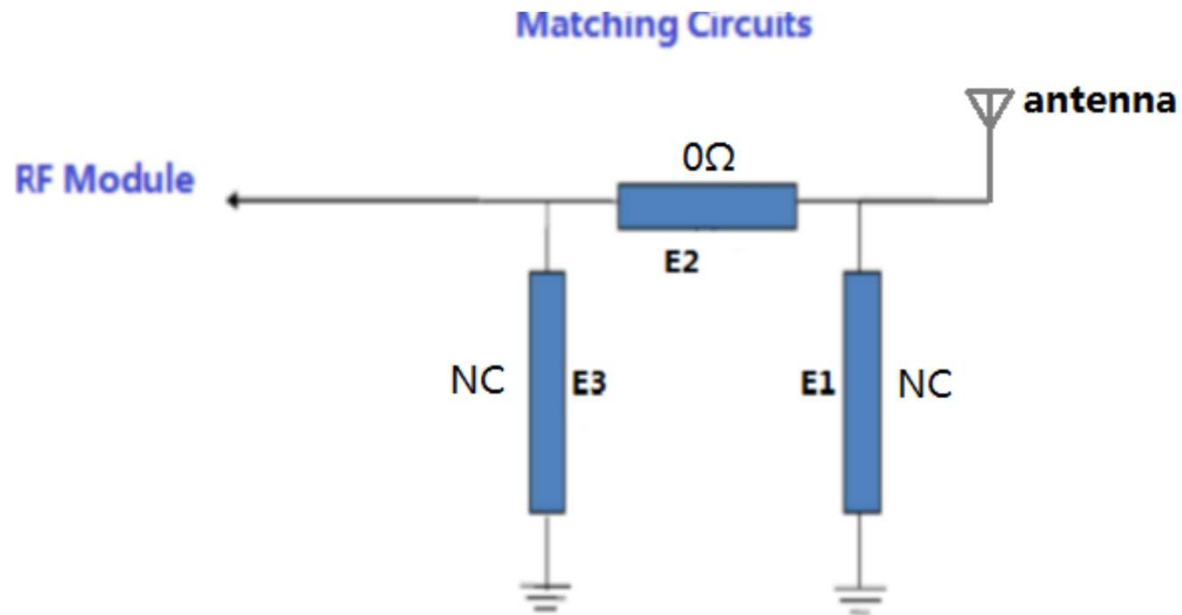


■ Antenna dimension map



■ Antenna matching circuit

No changes have been made to the matching circuit



Element	Value
E1(0402)	NC
E2(0402)	0Ω
E3(0402)	NC



■ Antenna S parameter

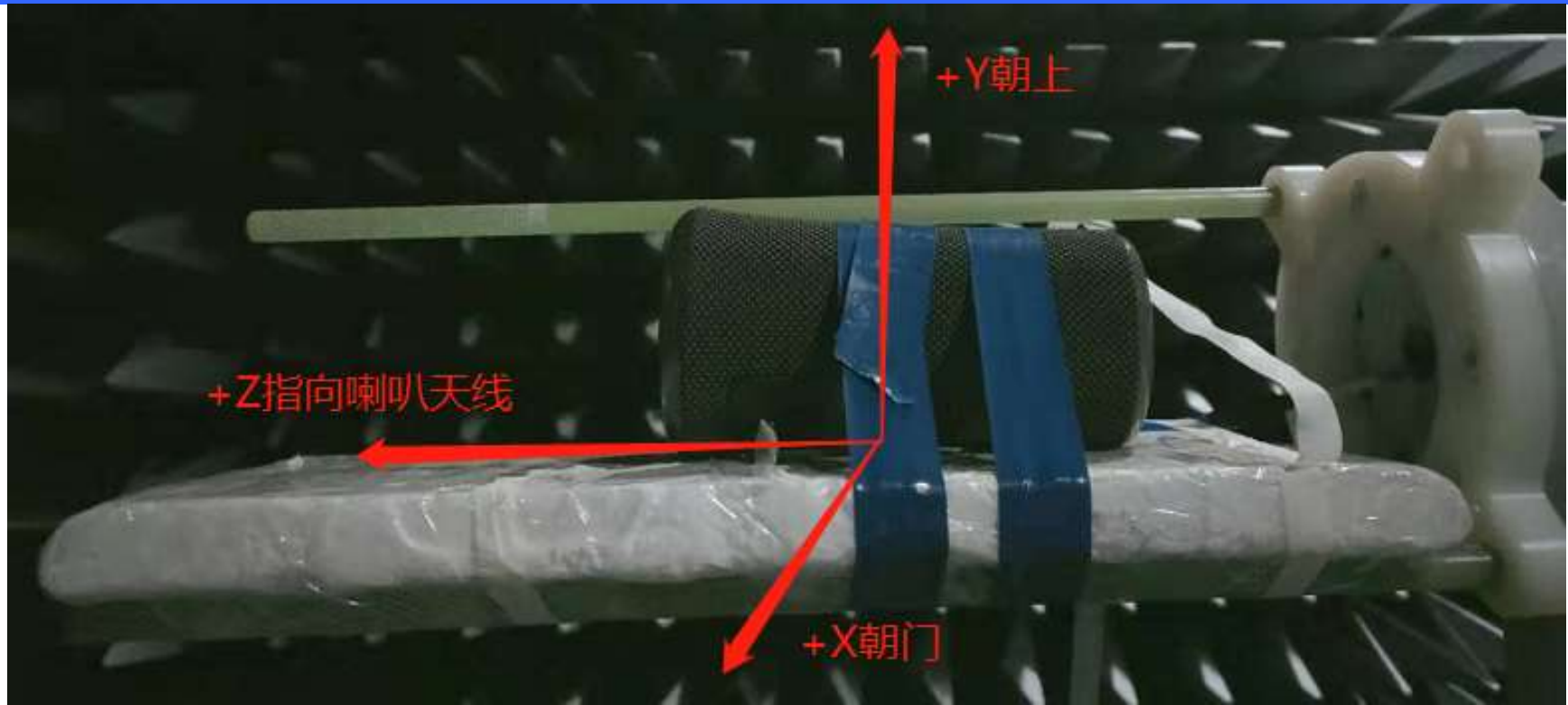
S11:



Fre(Mhz)	2400	2442	2490	Spec.
VSWR	1.43	1.47	1.38	≤3.0



■ Test fixture



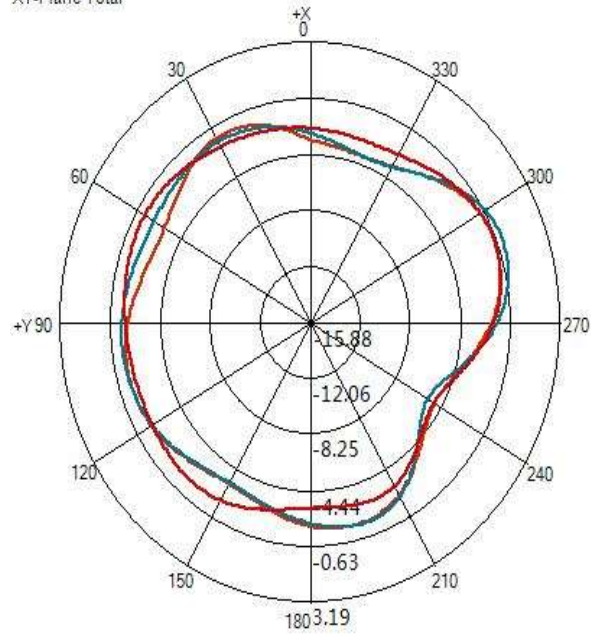
■ Antenna PASSIVE parameter

Freq (MHz)	Gain (dB)	Efficiency (dB)	Efficiency (%)
2400	0.947136047	-3.107284967	48.89579405
2405	0.830566703	-3.199299107	47.8707343
2410	0.726918894	-3.274884696	47.04478958
2415	0.648049142	-3.314534548	46.6172387
2420	0.574983637	-3.377729746	45.94381192
2425	0.558054286	-3.381575493	45.90314595
2430	0.671458004	-3.278180312	47.00910348
2435	0.787516592	-3.190811054	47.96438658
2440	0.910004212	-3.120182594	48.7507993
2445	1.119226956	-2.963581625	50.54076806
2450	1.292521468	-2.866299744	51.68565515
2455	1.514054434	-2.735666445	53.26394821
2460	1.556920698	-2.724713873	53.39844531
2465	1.523913792	-2.739730756	53.21412487
2470	1.482913707	-2.751916028	53.06502794
2475	1.344802333	-2.84700824	51.91575521
2480	1.399130361	-2.76371841	52.92101425
2485	1.467938641	-2.665606954	54.13015923
2490	1.497022477	-2.602614684	54.92101205

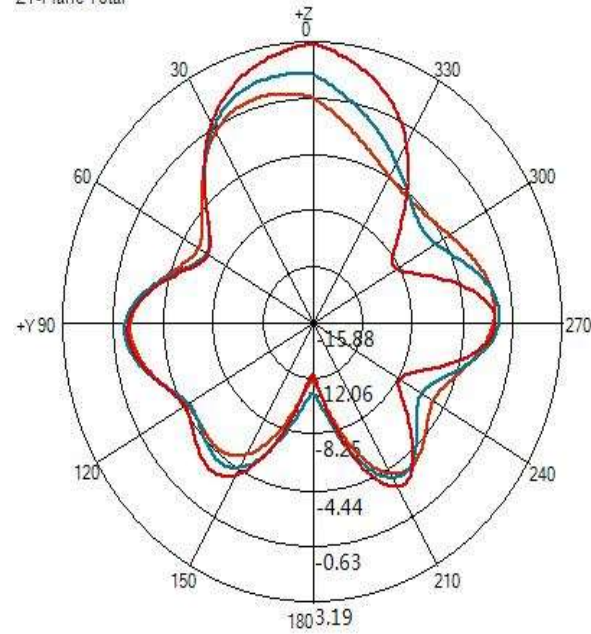


Antenna pattern

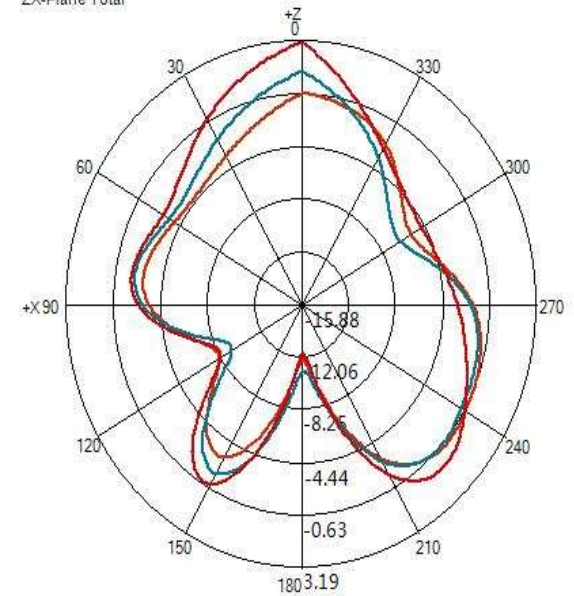
XY-Plane Total



ZY-Plane Total



ZX-Plane Total



Channel (MHz)	Max. (dB)	Ave. (dB)
2400	-0.757060875	-2.438255479
2445	-0.197259156	-2.283211221
2490	-0.805124589	-2.249875209

Channel (MHz)	Max. (dB)	Ave. (dB)
2400	0.040140128	-3.57574678
2445	1.171732431	-3.170708952
2490	3.18564979	-2.659962621

Channel (MHz)	Max. (dB)	Ave. (dB)
2400	-0.445400685	-3.290095516
2445	1.06728544	-2.990551339
2490	3.18564979	-2.044728097

