

Antenna Part Specification

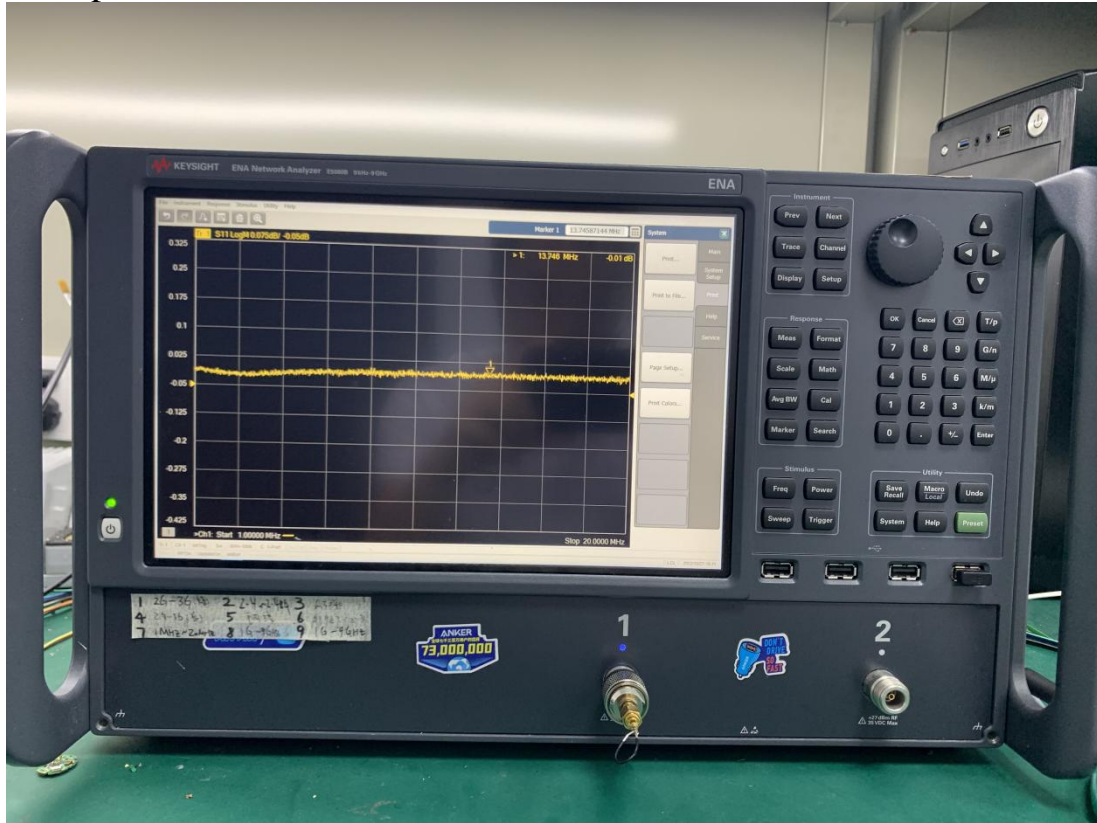
Project name:	A3027
Material category:	NFC antenna
Antenna type:	FPC
Version:	V1.0
Date:	2022.10.31

Contents

I: The report of passive data	3
II: 3D Active test report of antenna.....	7
III: Matching circuit	8
IV: Structure file:	9

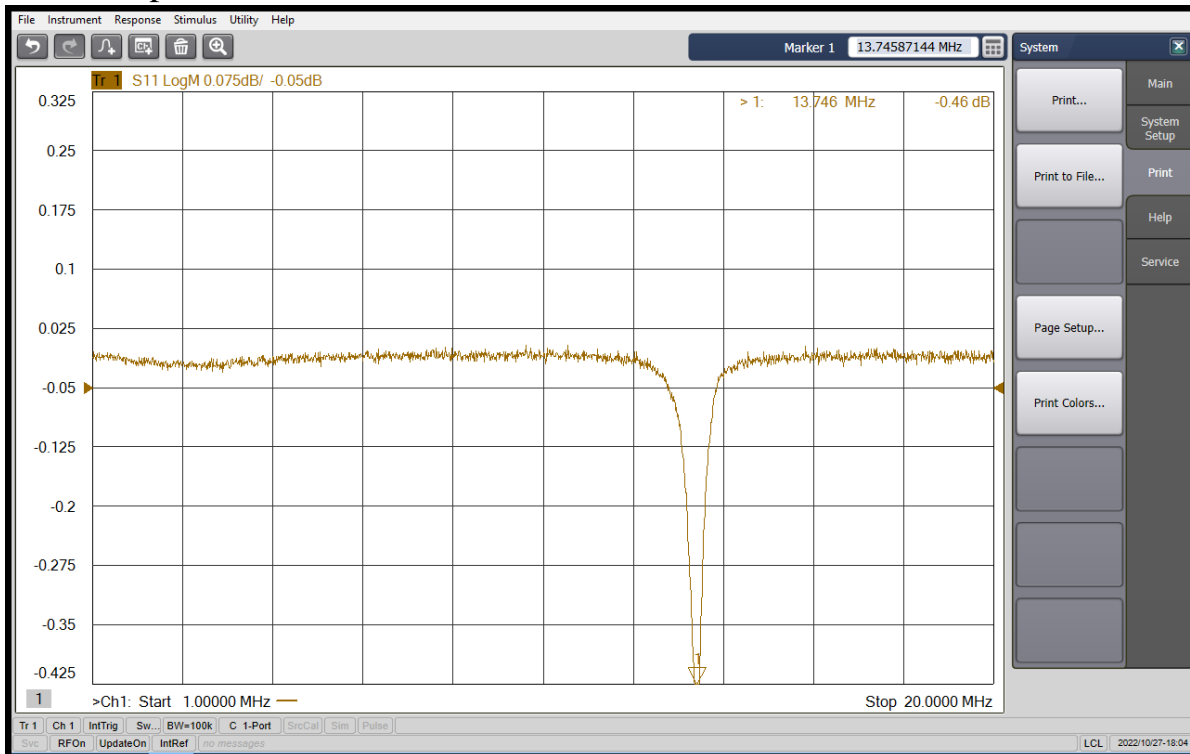
Change record			
Compile / change date	Reason for change	Changed content	Version
2022.10.31	Final edition	Final edition	V1.0

I: The report of passive data



Agilent E5080B

VSWR parameter (Left) :

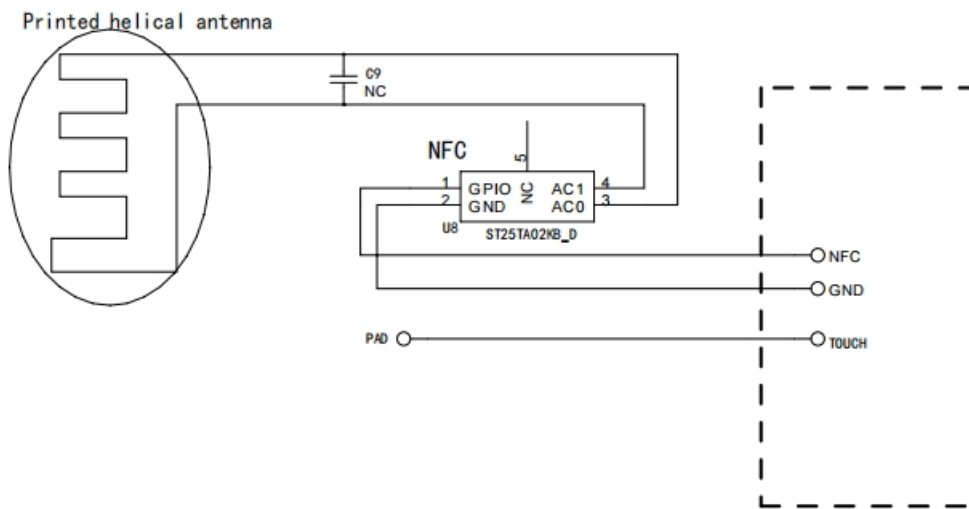


II: 3D Active test report of antenna

Detection distance/mm	Phone1	Phone2	Phone3	Phone4	Phone5	Phone6	Phone7	Phone8	Phone9	Phone10
A3027	22	23	22	20	19	18	21	20	22	21

III: Matching circuit

Element	Value
C9(0402)	18pF



IV: Structure file:

