

A2930- Manual - EN - 20210617

Wireless Charger

What's in the box?



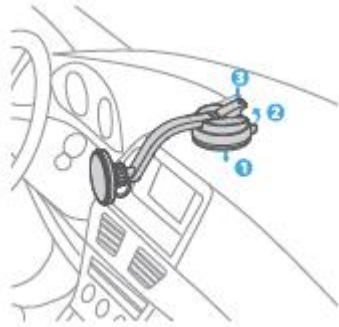
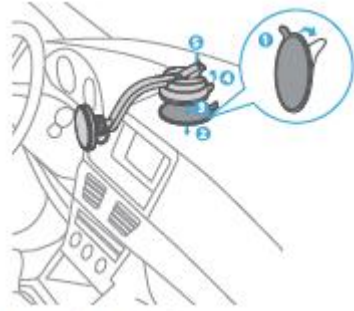
Overview



1. Mounting Base
2. Adjusting Screw
3. Led Indicator
4. Wireless Charging Pad
5. USB Car Charger

Using your Charging Mount

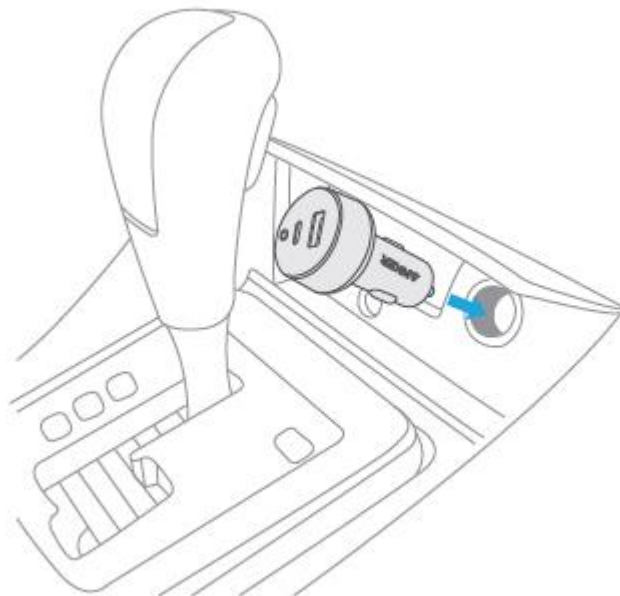
Position your Charging Mount on a center panel



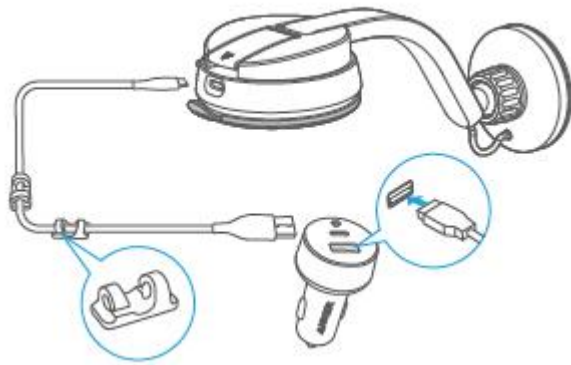
Do not place the Charging Mount on airbag modules, as doing so may result in serious injury.

Do not insert the Charging Mount into a vent.

Insert the car charger into the cigarette lighter of a vehicle

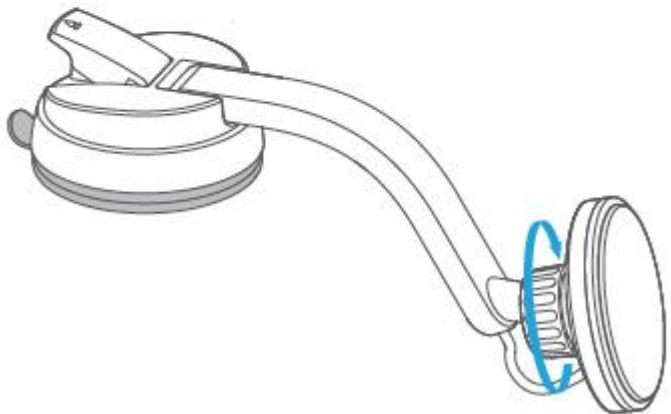
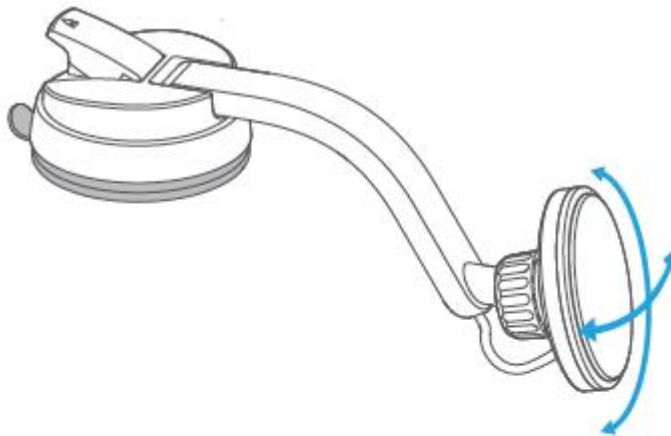


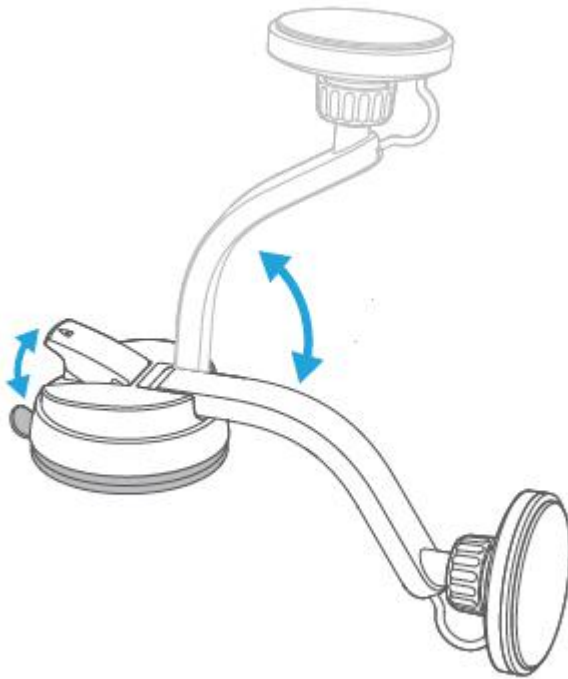
Connect the Charging Mount to the car charger using the power cable



When running the cable from the Charging Mount to the car charger, ensure the cable does not affect safe driving. The steering wheel should move freely, all pedals should work normally, turn signal and wiper stalks should also move smoothly. Use the cable clips to fix the cable in place.

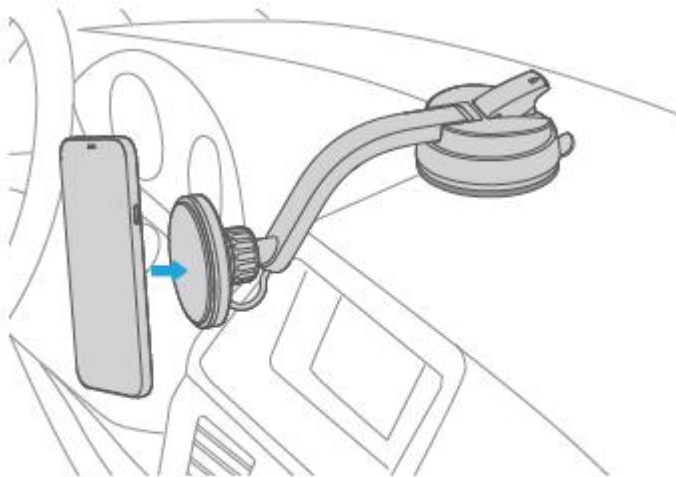
Adjust the Charging Mount to the optimal viewing angle






Be careful when removing or handling plastic parts of the Charging Mount. Unnecessary force or pressure can cause pieces to crack or break.
Do not over-rotate the wireless charging pad or attempt to detach the ball joint lock, otherwise, the wire near it may be destroyed or the product won't be able to charge normally.

Charge your phone



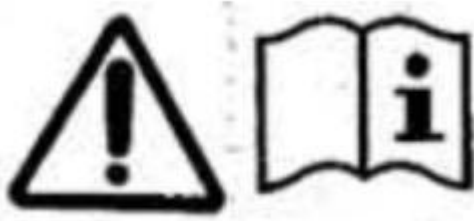
Apple
iPhone 12 mini
iPhone 12
iPhone 12 Pro
iPhone 12 Pro Max

	Apple	iPhone 12 mini, iPhone 12, iPhone 12 Pro, iPhone 12 Pro Max
---	-------	---

LED Indicators	Status
Light up one by one quickly, then stay solid white	Connected to power
Solid white (100% brightness)	Charging your device
Solid white (50% brightness)	Standby mode
Flash white	Metal objects detected
Only Led lights on the two sides flash white	<ul style="list-style-type: none"> • Overvoltage or undervoltage protection • Incompatible power adapter connected, indicating that you need to switch to a Quick Charge 2.0/3.0 or Power Delivery car adapter

- **This wireless charger is not compatible with non-Magsafe phone cases, such as Otterbox Defender cases.**
- **Connect the Charging Mount to a Quick Charge 2.0/3.0 or Power Delivery car adapter. Do not connect to a 5V/1A car charger or a USB-A port on a car as it may affect the wireless charging function.**
- **Do not place any foreign objects between your device and the wireless charging pad's surface, including metal pads, magnetic cards, door keys, coins, NFC cards, or other metal objects, as they could potentially demagnetize the wireless charging pad, affect the charging speed, or cause overheating.**
- **Wireless charging products make charging more convenient than wired chargers, but confined by current wireless technology, their charging speed is slower than that of wired chargers.**
- **High temperatures will reduce charging speed and restrict power. It is recommended that you charge your device in environments with temperatures below 40°C / 104°F.**
- **Do not operate the charger with damaged cord or cigarette lighter connector—replace it immediately.**

Important Safety Instructions



Please refer to the electrical and safety information on the bottom before installing or operating the product.

- Avoid dropping.
- Do not disassemble.
- Do not expose to liquids.
- This product is suitable for moderate climates only.
- The maximum ambient temperature during use of this product must not exceed 40°C.
- Open flame sources, such as candles, must not be placed on this product.
- Only use a dry cloth or brush to clean this product.

FCC Statement

This device complies with Part 15 of the FCC Rules. Operation is subject to the following two conditions: (1) This device may not cause harmful interference, and (2) this device must accept any interference received, including interference that may cause undesired operation.

Warning: Changes or modifications not expressly approved by the party responsible for compliance could void the user's authority to operate the equipment.

Note: This equipment has been tested and found to comply with the limits for a Class B digital device, pursuant to Part 15 of the FCC Rules. These limits are designed to provide reasonable protection against harmful interference in a residential installation.

This equipment generates, uses, and can radiate radio frequency energy and, if not installed and used in accordance with the instructions, may cause harmful interference to radio communications. However, there is no guarantee that interference will not occur in a particular installation. If this equipment does cause harmful interference to radio or television reception, which can be determined by turning the equipment off and on, the user is encouraged to try to correct the interference by one or more of the following measures: (1) Reorient or relocate the receiving antenna. (2) Increase the separation between the equipment and receiver. (3) Connect the equipment into an outlet on a circuit different from that to which the receiver is connected. (4) Consult the dealer or an experienced radio / TV technician for help.

Radiation Exposure Statement

This equipment complies with FCC radiation exposure limits set forth for an uncontrolled environment. This equipment should be installed and operated with a minimum distance of 20

cm between the radiator & your body.

Product Name: Wireless Charger
Model: **A2930**

The following importer is the responsible party (for FCC matters only).
Company Name: Fantasia Trading LLC

Address: 5350 Ontario Mills Pkwy, Suite 100, Ontario, CA 91764
Telephone: +1 800 988 7973

IC Statement

This device complies with RSS - 216 of Industry Canada. Operation is subject to the condition that this device does not cause harmful interference.

RSS-Gen statement

This device contains licence-exempt transmitter(s)/receiver(s) that comply with Innovation, Science and Economic Development Canada's licence-exempt RSS(s). Operation is subject to the following two conditions:

- (1) This device may not cause interference.
- (2) This device must accept any interference, including interference that may cause undesired operation of the device.

Any changes or modifications not expressly approved by the party responsible for compliance could void the user's authority to operate the equipment.

RF exposure statement:

The equipment complies with IC Radiation exposure limit set forth for uncontrolled environment. This equipment should be installed and operated with minimum distance 10cm between the radiator and your body.

This device complies with Industry Canada license - ICES-003. Operation is subject to the following two conditions: (1) This device may not cause interference, and (2) This device must accept any interference, including interference that may cause undesired operation of the device.

This digital apparatus complies with CAN ICES-003(B)/NMB-003(B).

Le présent appareil est conforme aux CNR d'Innovation, Sciences et Développement économique Canada applicables aux appareils radio exempts de licence. L'exploitation est autorisée aux deux conditions suivantes :

- (1) l'appareil n' doit pas produire de brouillage, et
- (2) l'utilisateur de l'appareil doit accepter tout brouillage radioélectrique subi, même si le brouillage est susceptible d'en compromettre le fonctionnement.

Declaration of Conformity

Hereby, Anker Innovations Limited declares that the product type A2930 is in compliance with Directives 2014/53/EU & 2011/65/EU & 2001/95/EC. The full text of the EU declaration of conformity is available at the following internet address:

<https://www.anker.com/>

GB Declaration of Conformity

Hereby, Anker Innovations Limited declares that the product type **A2930** is in compliance with Radio Equipment Regulations 2017 and The Restriction of the Use of Certain Hazardous Substances in Electrical and Electronic Equipment Regulations 2012. The full text of the GB declaration of conformity is available at the following internet address:

<https://www.anker.com>

Anker Innovations Limited
Room 1318-19, Hollywood Plaza, 610 Nathan Road, Mongkok, Kowloon, Hong Kong

Anker Innovations Deutschland GmbH
Georg-Muche-Strasse 3, 80807 Munich, Germany

Anker Technology (UK) Ltd
Suite B, Fairgate House, 205 Kings Road, Tyseley, Birmingham, B11 2AA, United Kingdom

**UK
CA**

This device was tested for uncontrolled environment operations. To comply with RF exposure requirements, a minimum separation distance of 20cm must be maintained between the user's body and the product.

Declaration of Conformity

Hereby, Anker Innovations Limited declares that the product type A2930 is in compliance with following Directives: Radio Equipment Regulations 2017, Electrical Equipment (Safety) Regulations 2016, Electromagnetic Compatibility Regulations 2016 and The Restriction of the Use of Certain Hazardous Substances in Electrical and Electronic Equipment Regulations 2012. The full text of the UK declaration of conformity is available at the following internet address:

<https://www.anker.com/>

Specifications

Magnetic Car Charger	Input	5V \equiv 2A / 9V \equiv 2A
	Wireless Output	5W / 7.5W
	Operating Temperature	-10°C - 40 °C
	Radiated H-Field	-11.4 dB μ A/m(@10m)

	TX/RX frequency range	110-205KHz (only for EU and UK)
USB Car Charger	Input	12V / 24V \equiv 4A
	Output	USB-C: 5V \equiv 3A, 9V \equiv 2.22A USB-A: 5V \equiv 2.4A, 9V \equiv 1.67A, 12V \equiv 1.25A

Product Number: A2930
Wireless Charger



This product complies with the radio interference requirements of the European Community.



This symbol indicates that this product shall not be treated as household waste. Instead it shall be handed over to the applicable collection point for the recycling of electrical and electronic equipment.

해당무선설비기기는 운용 중 전파혼신가능성이 있으므로 인명안전과 관련된 서비스는 할 수 없습니다

Customer Service

18-Month Limited Warranty

Lifetime Technical Support



support@anker.com
support.mea@anker.com (For Middle East and Africa Only)



(US) +1 (800) 988 7973 Mon-Fri 9:00 - 17:00 (PT)
(UK) +44 (0) 1604 936200 Mon-Sun 6:00 - 14:00
(DE) +49 (0) 69 9579 7960 Mo-Fr 6:00 - 11:00
(Middle East & Africa) +971 42463266 Sun-Thu 9:00 - 17:30
(UAE) +971 8000320817 Sun-Thu 9:00 - 17:30
(KSA) +966 8008500030 Sun-Thu 8:00 - 16:30
(Kuwait) +965 22069086 Sun-Thu 8:00 - 16:30
(Egypt) +20 8000000826 Sun-Thu 7:00 - 15:30
(AU) +61 3 8331 4800 Mon-Fri 8:30 - 17:00 (AEST)
(TR) +90 0850 460 14 14 Mon-Fri 9:00 - 18:00
(RU) +8 (800) 511-86-23 Mon-Fri 9:00 - 18:00 (MSK)
(中国) +86 400 0550 036 周一至周五 9:00 - 17:30
(日本) 03 4455 7823 月-金 9:00 - 17:00
(한국) +82 02-1670-7098 월-금 10:00 - 17: 00

For FAQs and more information, please visit
<https://www.anker.com/support>



@anker_official
@anker_jp



@Anker Deutschland
@Anker Japan
@Anker



@AnkerOfficial
@Anker_JP