

Justification statement for Antenna

To: Federal Communication Commission
 Equipment Authorization Branch
 7435 Oakland Mills Road
 Columbia, MID 21046

Regarding: FCC ID: 2AOKB-A2544

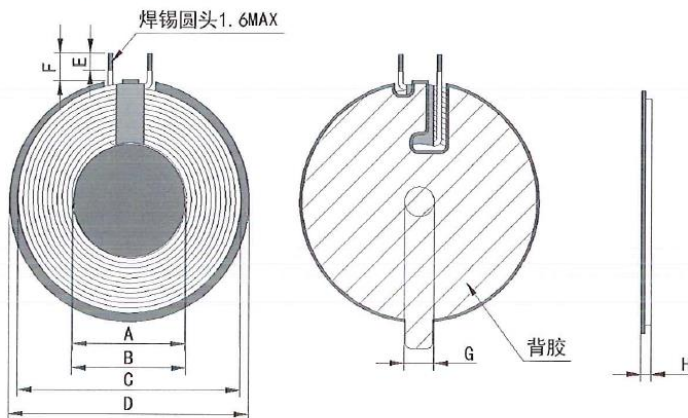
Dear Sir/Madam,

Only radiated measurements are used for EUT with *FCC ID: 2AOKB-A2544* to show compliance with FCC limits for fundamental and spurious emissions. All measurements were performed radiated and therefore additional antenna gain documentation is not required.

The detailed information for antenna as below shows:

Design Specifications	Typical
Antenna Type	Loop Antenna
Working Frequency	Output 1 (for iphone): 110.60-145.60kHz & 356.20-369.80kHz Output 2 (for TWS): 117.20-146.60kHz
Overall Dimensions	As shown below

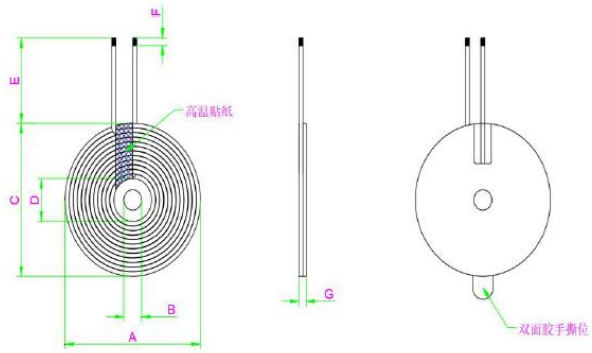
1. 产品外形尺寸 (OVERALL DIMENSIONS OF PRODUCTS):



单位(Unit):毫米(mm)

A	B	C	D	E	F	G	H
20±0.5	20.5±0.5	39.5MAX	43.5±0.5	3±1	6±1	5.3±0.5	2.3MAX

◆、外形尺寸



(单位: mm)	
A	40.0 ±1.5
B	5.5 ±1.5
C	39.0 ±1.5
D	20.5 ±1.5
E	40.0 ±1.5
F	3.0 ±2.0
G	1.3 ±0.2
备注	
(1)线径: 0.08*24*2P 丝包线	
(2)绕线圈数10TS	
(3)起尾线是否交叉: 是	
(4)线圈包8mm宽高温胶带	
(5)线圈与磁片需粘贴居中	
(6)磁片背白胶	