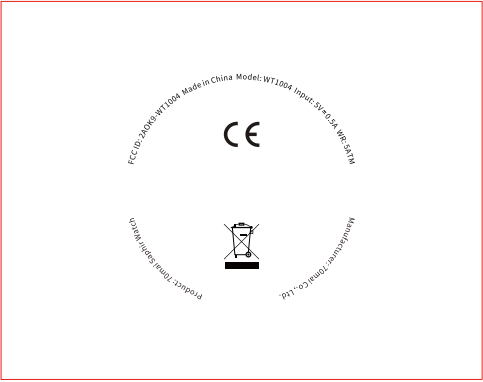
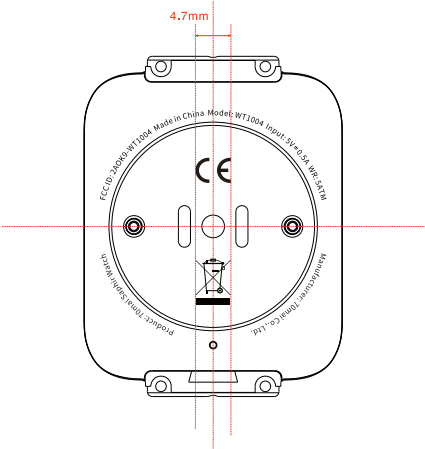


Artwork_WT1004_后盖镭雕字符_20200916



字体:note sans s chinese regular 字体大小2.8PT

字体工艺:镭雕