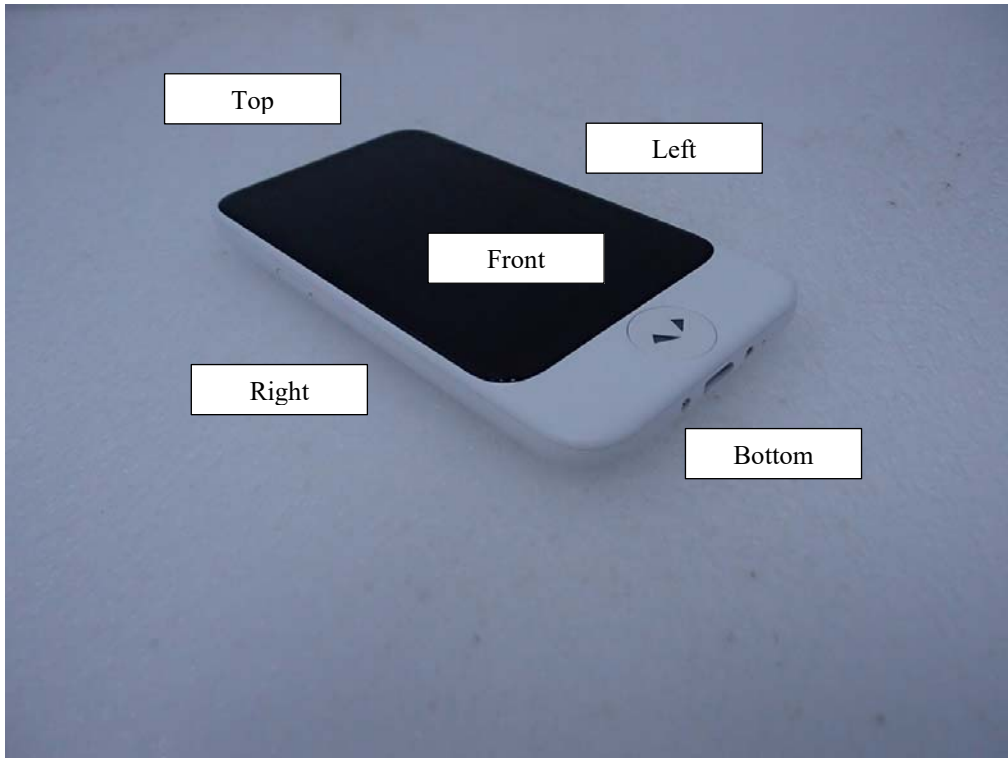
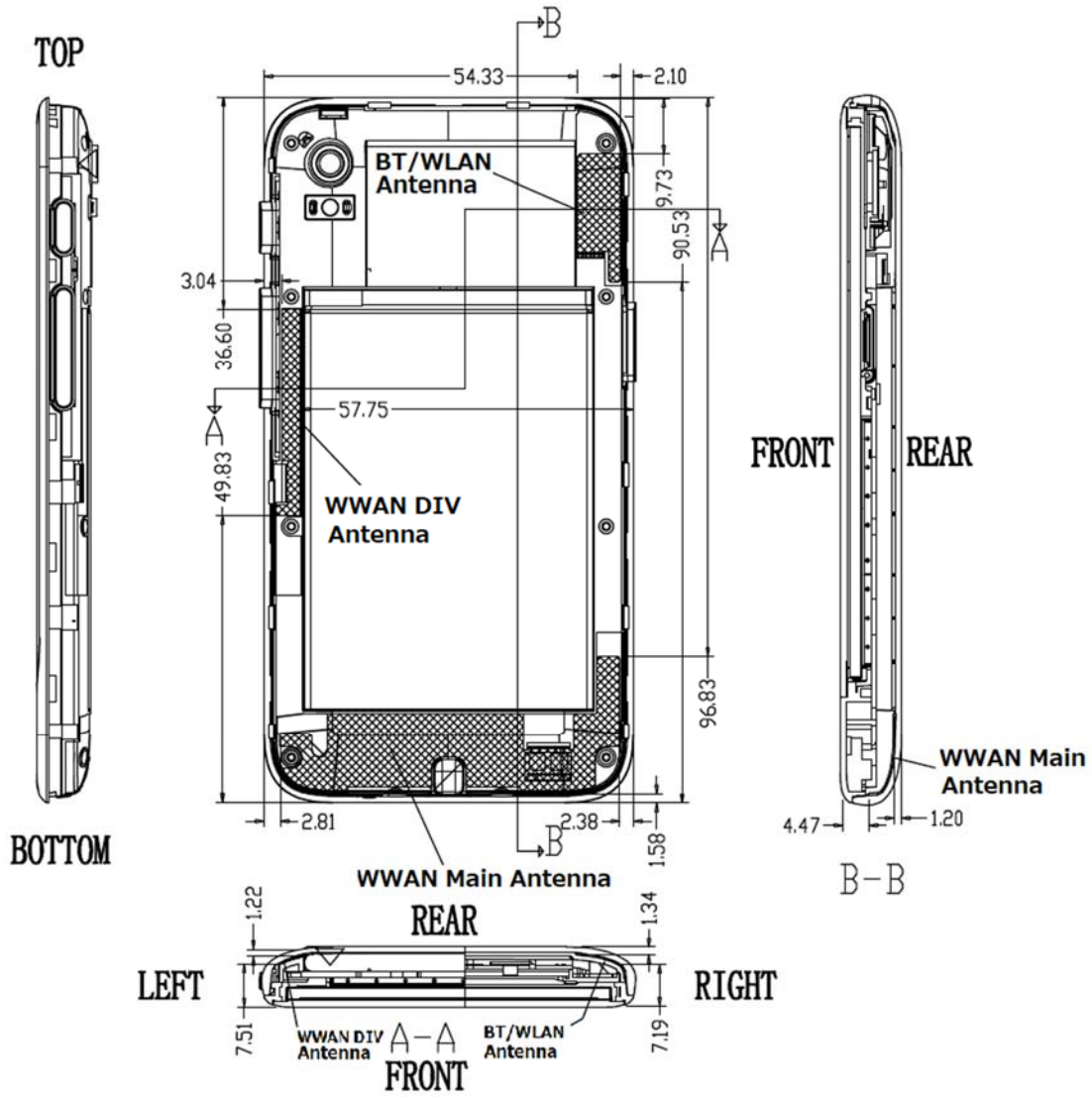


**APPENDIX 4 : Photographs of test setup**

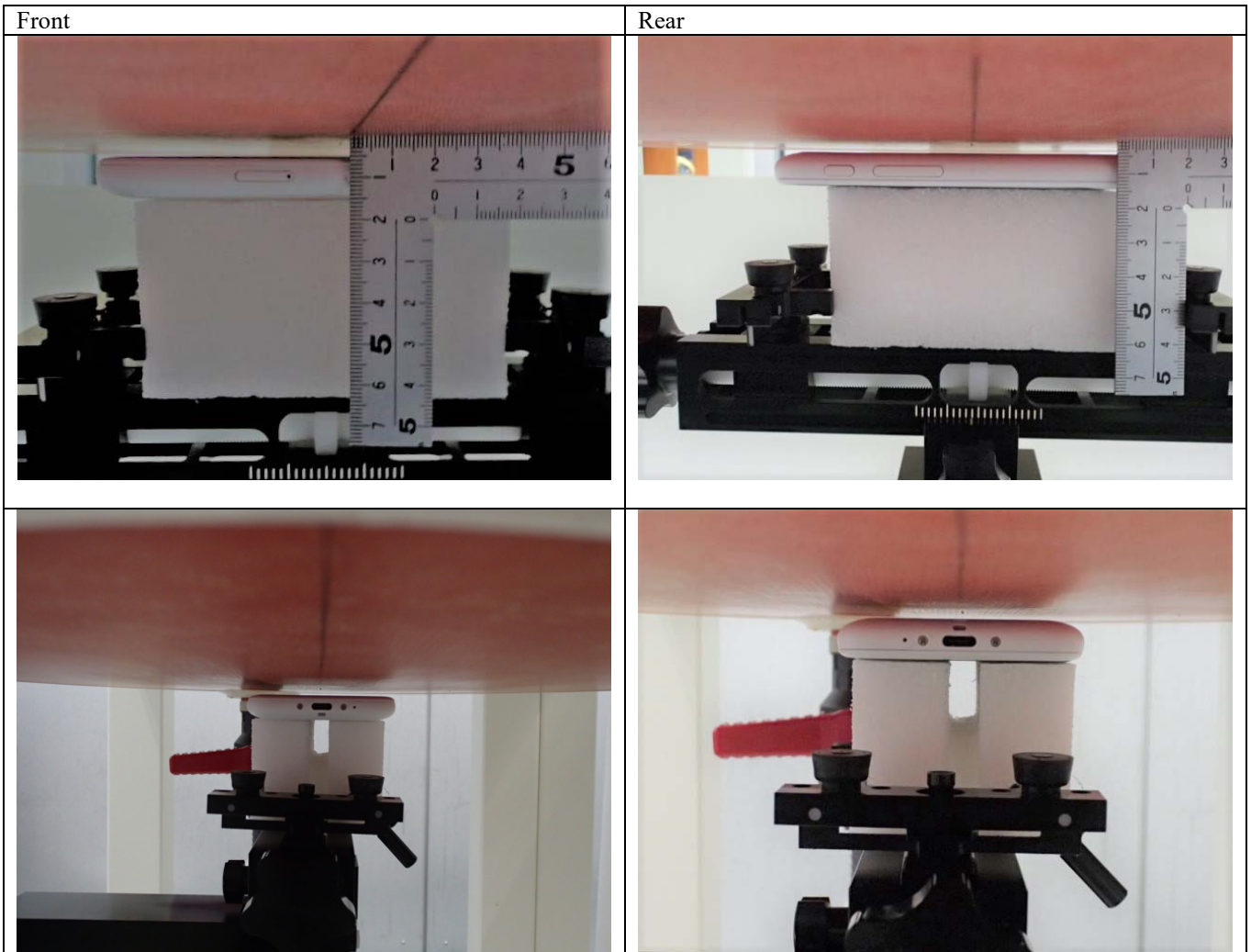
**Photographs of EUT**

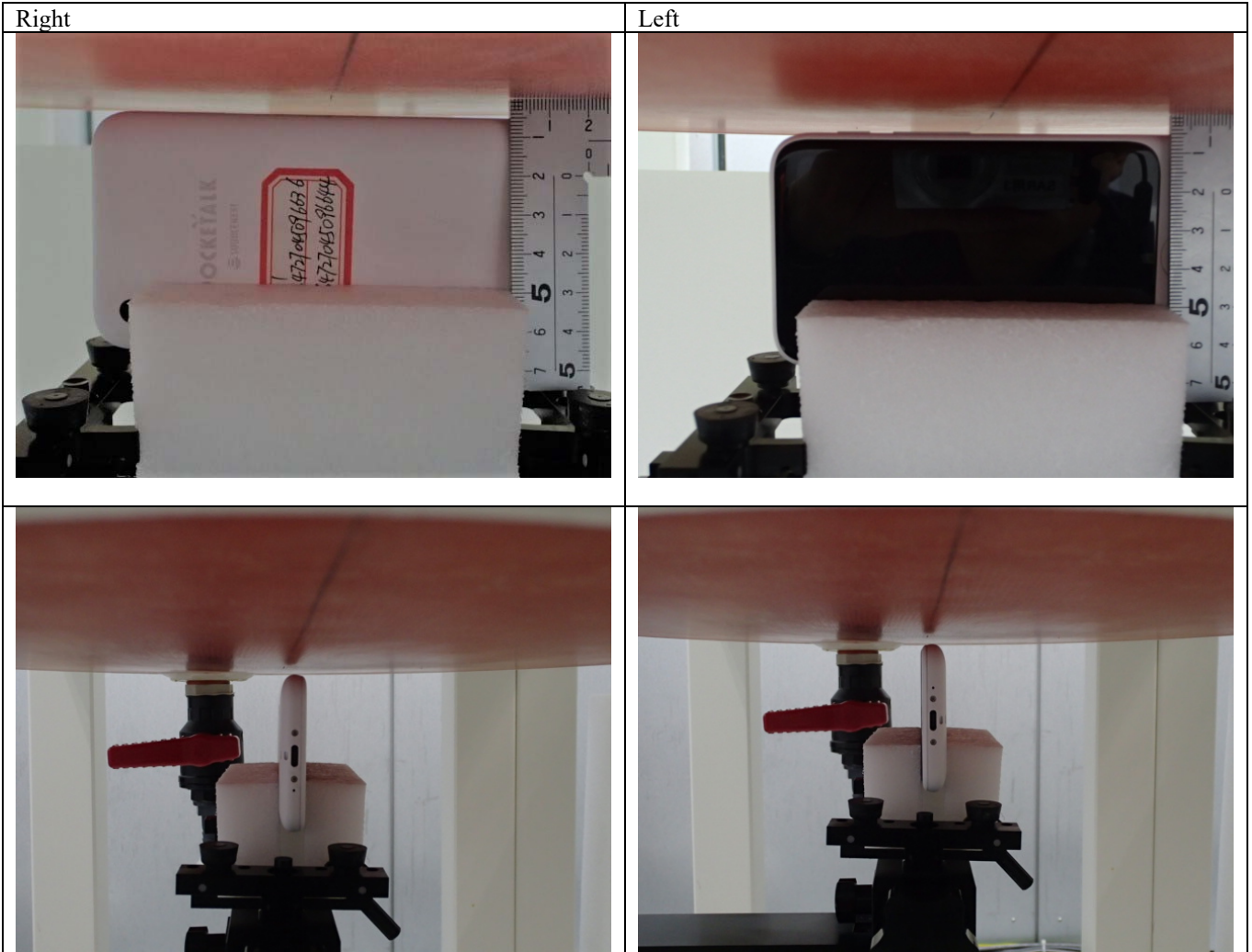


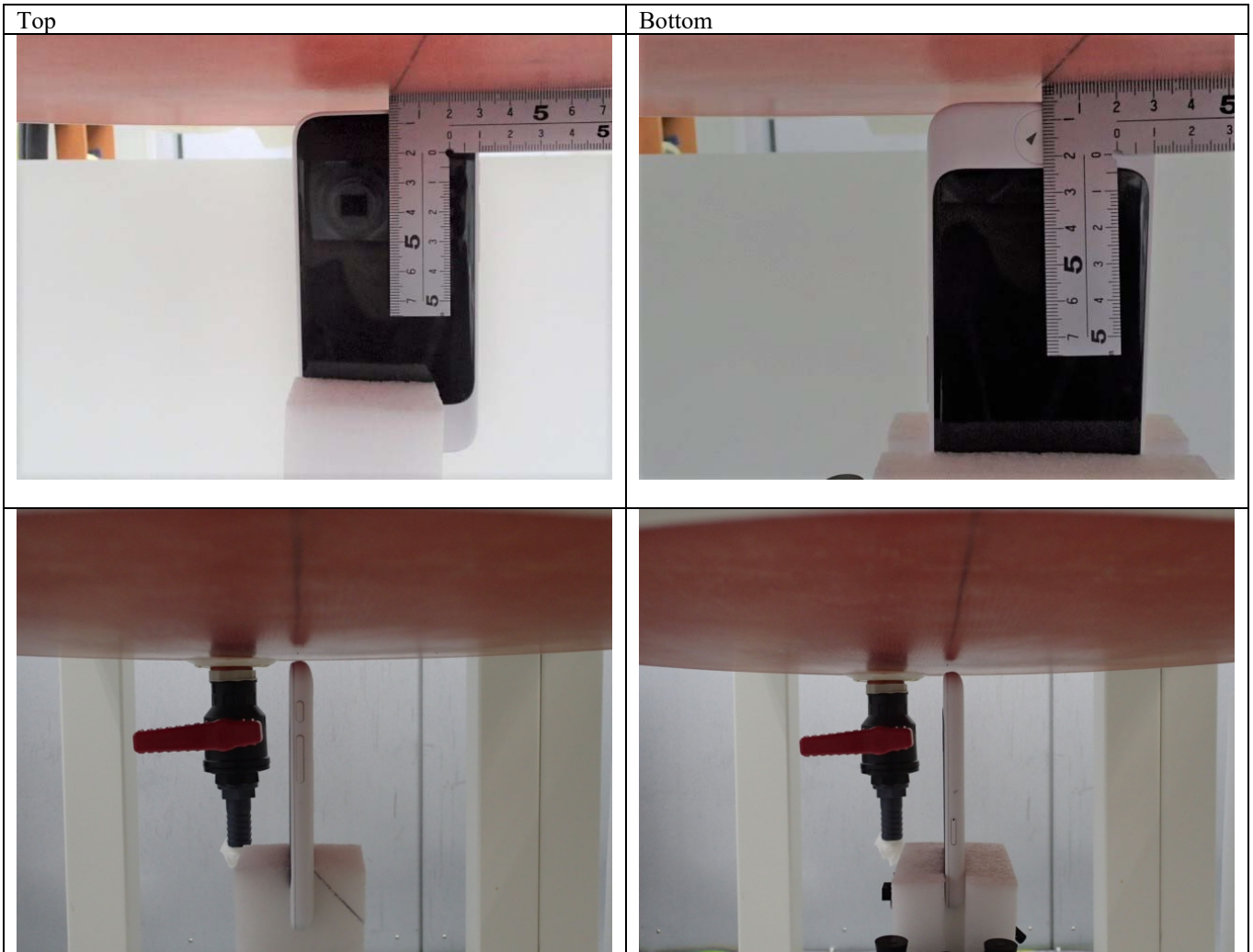
Antenna position



Photographs of setup







**End of Report**