

1. Basic information

5G/4G Terminal Mount Monopole Antenna

Part No: TG.55.8113

Description: 5G/4G Terminal Mount Monopole Antenna with 90° Hinged SMA (M)

Manufacturer:

Features:

Covering Sub 6GHz 5G NR Bands

Covering Worldwide 4G Bands

600MHz-6GHz Bandwidth

High Efficiency up to 80%

3G/2G Fallback

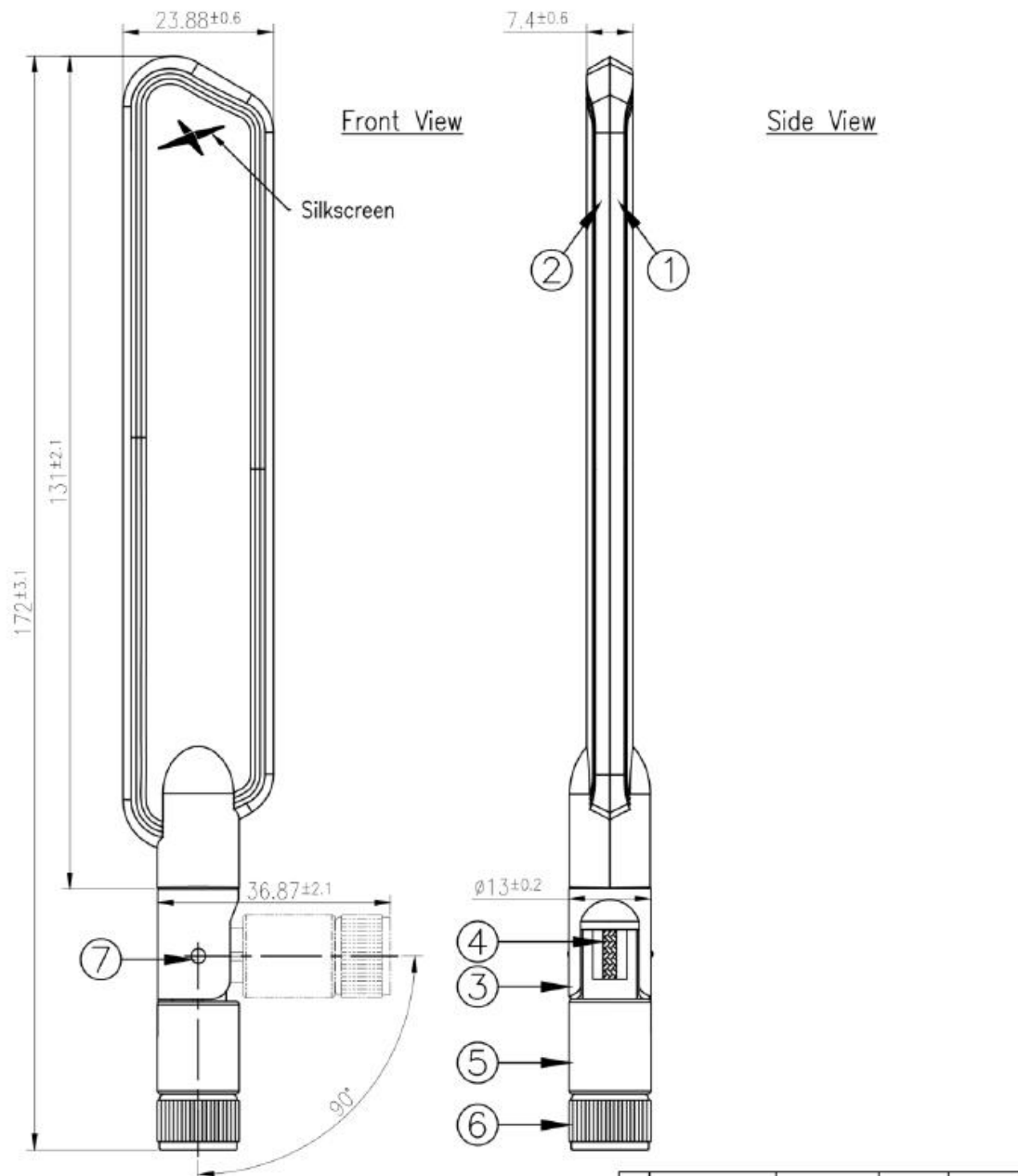
90° Hinged Right Angle SMA (M) Connector

Straight Dimensions: 172 x 23.9 x 13 mm

Right Angle Dimensions: 148 x 42.4 x 13 mm

RoHS & REACH Compliant

2. Antenna Drawing(Units:mm)



3. Peak Gain

| Band | Freq. Range | Ant 0 Gain (dBi) | Ant 1 Gain (dBi) |
|----------|----------------|------------------|------------------|
| 2.4 WLAN | 2.4-2.4385GHz | -2.04 | -2.04 |
| 5G WLAN | 5.15~5.25GHz | -4.13 | -4.13 |
| | 5.25~5.35GHz | -3.98 | -3.98 |
| | 5.47~5.725GHz | -0.68 | -0.68 |
| | 5.725~5.850GHz | -1.42 | -1.42 |

| WCDMA Band | | | | | |
|------------|-------------|------------------|------------------|------------------|------------------|
| Band | Freq. Range | Ant 0 Gain (dBi) | Ant 1 Gain (dBi) | Ant 2 Gain (dBi) | Ant 3 Gain (dBi) |
| Band (2) | 1850~1910 | -0.48 | | | -0.48 |
| Band (4) | 1710~1755 | -1.45 | | | -1.45 |
| Band (5) | 824~849 | -0.48 | | | -1.35 |
| Band (8) | 830~840 | | | | |
| Band (19) | 830~845 | -1.35 | | | -1.35 |

| LTE FDD Band | | | | | |
|---------------|-------------|------------------|------------------|------------------|------------------|
| Band | Freq. Range | Ant 0 Gain (dBi) | Ant 1 Gain (dBi) | Ant 2 Gain (dBi) | Ant 3 Gain (dBi) |
| LTE Band (2) | 1850~1910 | -0.48 | -0.48 | -0.48 | -0.48 |
| LTE Band (4) | 1710~1755 | -1.45 | -1.45 | -1.45 | -1.45 |
| LTE Band (5) | 824~849 | -1.35 | | | -1.35 |
| LTE Band (7) | 2500~2570 | -0.56 | -0.56 | -0.56 | -0.56 |
| LTE Band (12) | 698~716 | -5.75 | | | -5.75 |
| LTE Band (13) | 777~787 | -4.92 | | | -4.92 |
| LTE Band (14) | 788~798 | -4.46 | | | -4.46 |

| LTE Band (17) | 704~716 | -5.75 | | | -5.75 |
|---------------------|-------------|------------------|------------------|------------------|------------------|
| LTE Band (25) | 1850 ~1915 | -0.48 | -0.48 | -0.48 | -0.48 |
| LTE Band (26) | 814 ~849 | -1.35 | | | -1.35 |
| LTE Band (30) | 2305 ~2315 | -1.95 | -1.95 | -1.95 | -1.95 |
| LTE Band (66) | 1710 ~1780 | -1.45 | -1.45 | -1.45 | -1.45 |
| LTE Band (71) | 663 to 698 | -5.87 | | | -5.87 |
| LTE TDD Band | | | | | |
| Band | Freq. Range | Ant 0 Gain (dBi) | Ant 1 Gain (dBi) | Ant 2 Gain (dBi) | Ant 3 Gain (dBi) |
| T-LTE Band (38) | 2570~2620 | 0.04 | 0.04 | 0.04 | 0.04 |
| T-LTE Band (41) | 2496~2690 | 0.28 | 0.28 | 0.28 | 0.28 |
| T-LTE Band (42) | 3400~3600 | -1.24 | -1.24 | -1.24 | -1.24 |
| T-LTE Band (43) | 3600~3800 | -2.45 | -2.45 | -2.45 | -2.45 |
| T-LTE Band (48) | 3550 ~3700 | -1.84 | -1.84 | -1.84 | -1.84 |

| 5G NR FDD Band | | | | | |
|-----------------------|-------------|------------------|------------------|------------------|------------------|
| Band | Freq. Range | Ant 0 Gain (dBi) | Ant 1 Gain (dBi) | Ant 2 Gain (dBi) | Ant 3 Gain (dBi) |
| n2 | 1850~1910 | -0.48 | -0.48 | -0.48 | -0.48 |
| n5 | 824~849 | -1.35 | | | -1.35 |
| n7 | 2500~2570 | -0.56 | -0.56 | -0.56 | -0.56 |
| n12 | 698~716 | -5.75 | | | -5.75 |
| n13 | 777~787 | -4.92 | | | -4.92 |
| n14 | 788~798 | -4.46 | | | -4.46 |
| n25 | 1850 ~1915 | -0.48 | -0.48 | -0.48 | -0.48 |
| n26 | 814 ~849 | -1.35 | | | -1.35 |

| n30 | 2305 ~2315 | -1.95 | -1.95 | -1.95 | -1.95 |
|-----------------------|-------------|------------------|------------------|------------------|------------------|
| n66 | 1710 ~1780 | -1.45 | -1.45 | -1.45 | -1.45 |
| n70 | 1695 ~1710 | -1.45 | -1.45 | -1.45 | -1.45 |
| n71 | 663 ~ 698 | -5.87 | | | -5.87 |
| 5G NR TDD Band | | | | | |
| Band | Freq. Range | Ant 0 Gain (dBi) | Ant 1 Gain (dBi) | Ant 2 Gain (dBi) | Ant 3 Gain (dBi) |
| n38 | 2570~2620 | 0.04 | 0.04 | 0.04 | 0.04 |
| n41 | 2496~2690 | 0.28 | 0.28 | 0.28 | 0.28 |
| n48 | 3550 ~3700 | -1.84 | -1.84 | -1.84 | -1.84 |
| n77 | 3300 ~4200 | -1.24 | -1.24 | -1.24 | -1.24 |
| n78 | 3300 ~3800 | -1.24 | -1.24 | -1.24 | -1.24 |