

MIFARE Optical Reader Module Specifications

Autonomous Operation Mode

Memory capacity:
 -36K SRAM
 -256KB FLASH
 - 4 KB EEPROM

Supported RFID standards

Read/write mode supporting:
 -ISO/IEC 14443A/MIFARE
 -ISO/IEC 14443B
 -JIS X 6319-4 comparable with FeliCa
 -ISO/IEC 15693
 -ICODE EPC UID/ EPC OTP
 -ISO/IEC 18000-3 mode 3/EPC Class-1HF
 Passive initiator mode according to ISO/IEC 18092

Status

-Multi-colour LED status indication (1 RGB, 3 Red, 1 Green, 1 Orange)

Mounting

-Indoors

Connections

-All connections are made with 8P8C (RJ45) plug.
 -Maximum terminal load: 0.5A

RS-485 Autonomous Bus (1)

-1 Channel half duplex
 -Not galvanically isolated, differential.
 -8 data bits, even parity, 1 stop bit
 -Terminating resistor for bus or star wiring (jumper)

RS-485 System Bus (2)

-1 channel half duplex
 -Not galvanically isolated, differential.
 -8 data bits, even parity, 1 stop bit
 -Terminating resistor for bus or star wiring (jumper)

Power supply

-17-26VDC, absolute max.4.8W

-Without power supply, the clock continues to run for up to 240 hours.

Battery

- 3.6V 350mAh NiMH (Rechargeable Nickel Metal Hydride)
 -Battery type EMMERICH NIMH AK-KU 1/2 AAA 280 MAH FT-1Z (Part no. 255008) or Vapex Tech NiMH 3.6V Battery Pack
 - Maintains autonomous operation during power-loss for up to 8 hours

Tamper Switch

-Detects removal of cover plate

Mechanical

-Dimensions: 69.8 x 48.3mm (w x h), Min. wall depth 42.3mm
 -Housing: V0 Flame retardant clear polycarbonate with label
 -Connector type 8P8C (RJ45 V0 housing)
 -CAT5e/CAT5 cable, maximum length 100m
 -Weight with battery Approximately 75 grams

Environmental

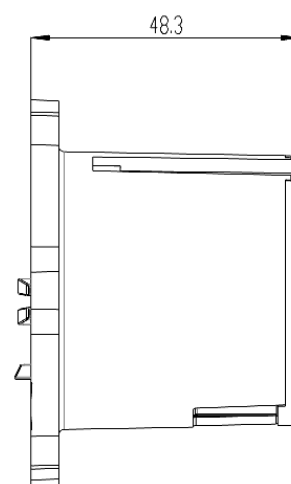
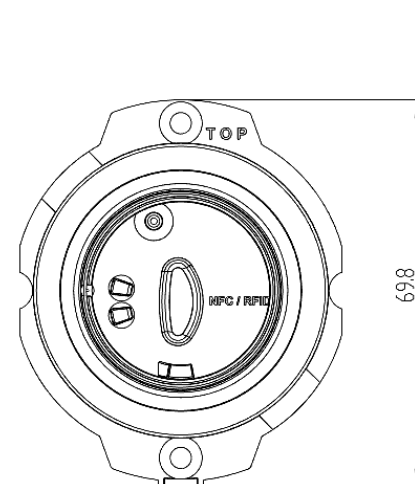
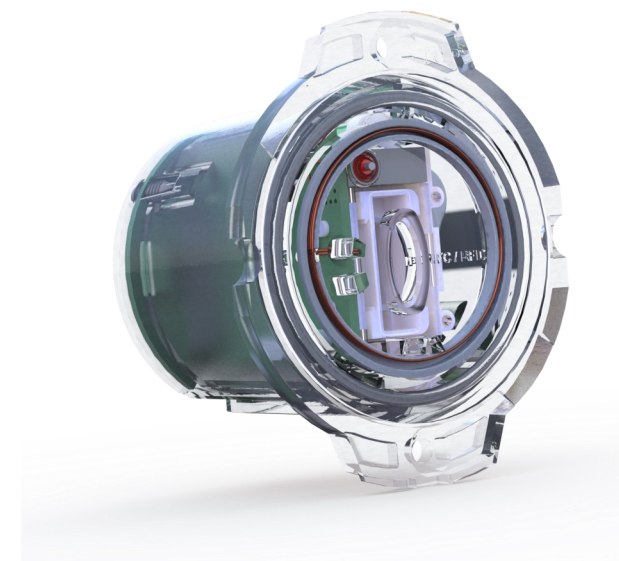
-Operating temperature: -30 to +85 C
 -Storage temperature: -30 to +85 C
 -Relative humidity: 0 to 95%
 Non-condensing
 -Protection type: IP20

Standards and directives

-FCC CFR 47 Part 15B, 15C:2016
 -FCC CFR 47 Part 2.1093

Part number

-GKMR1000-4001



Phone: +44(0)1844 344010
 Fax: +44(0)1844 344014
 E-mail: sales@guestkey.com
 Web: www.guestkey.com

Guestkey UK
 Summerleys Road
 Princes Risborough
 UK HP27 9BS