

Quick Install Guide

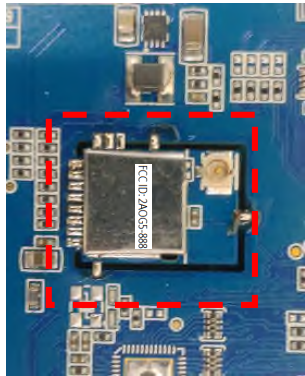
BT RF Module

Model Name: AK-888

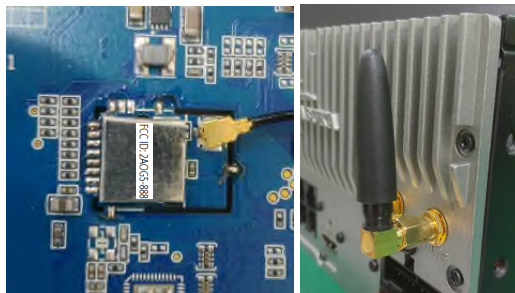
FCC ID: 2AOG5-888

1. Connect the Module:

Soldering AK-888 on ASUKA product.



2. Plug in the I-PEX cable and Antenna:



3. Power on, enter [Setting] --> [Bluetooth]--> [Pair].

Module works fine if finding any Bluetooth device.

Picture described as below:



Product Spec:

Brand/Model: Asuka/AK-888

Wireless range: 2.402~2.480GHz

Wireless standard: BT: BR/EDR

Protocol: UART

FCC Label Instructions

The outside of final products that contains this module device must display a label referring to the enclosed module. This exterior label can use wording such as the following: "Contains Transmitter Module FCC ID: 2AOG5-888" or "Contains FCC ID: 2AOG5-888" Any similar wording that expresses the same meaning may be used.

FCC Compliance Statement

You are cautioned that changes or modifications not expressly approved by the party responsible for compliance could void the user's authority to operate the equipment.

This device complies with Part 15 of the FCC Rules. Operation is subject to the following two conditions: (1) this device may not cause harmful interference, and (2) this device must accept any interference received, including interference that may cause undesired operation.

Note: This equipment has been tested and found to comply with the limits for a Class B digital device, pursuant to part 15 of the FCC Rules. These limits are designed to provide reasonable protection against harmful interference in a residential installation. This equipment generates, uses and can radiate radio frequency energy and, if not installed and used in accordance with the instructions, may cause harmful interference to radio communications.

However, there is no guarantee that interference will not occur in a particular installation. If this equipment does cause harmful interference to radio or television reception, which can be determined by turning the equipment off and on, the user is encouraged to try to correct the interference by one or more of the following measures:

- Reorient or relocate the receiving antenna.
- Increase the separation between the equipment and receiver.
- Connect the equipment into an outlet on a circuit different from that to which the receiver is connected.
- Consult the dealer or an experienced radio/TV technician for help.

Any changes or modifications not expressly approved by the party responsible for compliance could void the authority to operate equipment.

This device and its antenna must not be co-located or operating in conjunction with any other antenna or transmitter.

FCC Radio Frequency Exposure

This equipment complies with FCC radiation exposure limits set forth for an uncontrolled environment. This equipment should be installed and operated with minimum distance 20cm between the radiator & your body.

Important FCC notice:

In accordance with FCC Part 15C, this module is listed as a Modular Transmitter device.

The antenna of this transmitter must not be co-located or operating in conjunction with any other antenna or transmitters within a host device, except in accordance with FCC multitransmitter product approval procedures.