

FitAir

YOUR ULTIMATE PERSONAL
AIR PURIFIER
USER GUIDE



(stand-alone version)

Silicon Valley Air Expert



Lightweight
Design



H13
HEPA Filter



Ultra
Portable



Wearable
Option



USB
Charge



High
Airflow



App
Controlled



Long
Battery Life

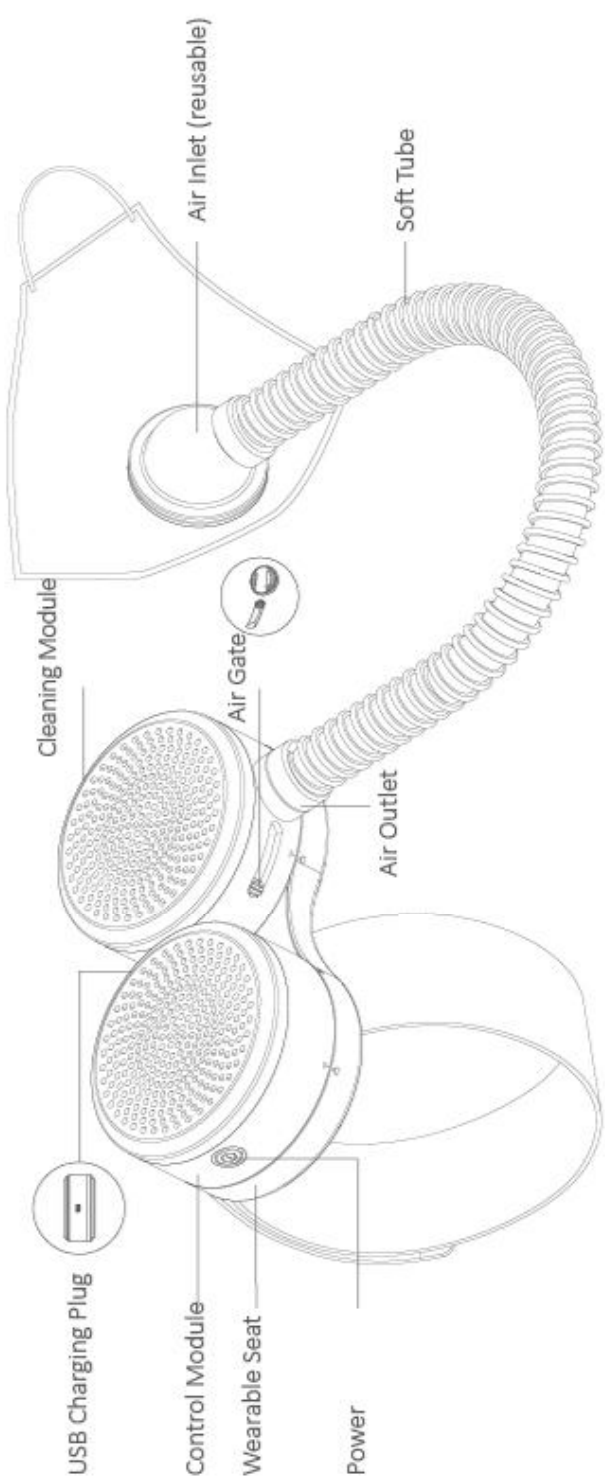


1

2

COMPONENTS

(Mask is NOT included in the product package)



PACKING LIST

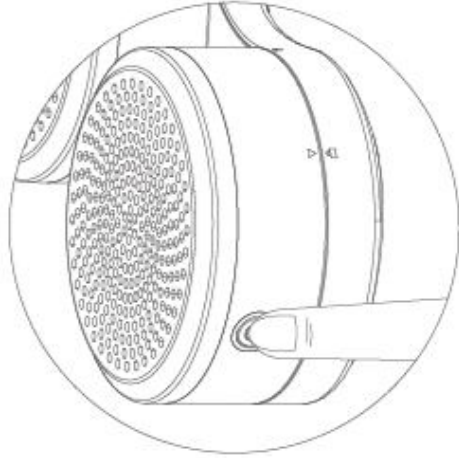
- FitAir Portable Air Purifier x 1
- USB Charge Cable x 1
- H13 HEPA Filter x 2
- User Guide x 1

OPERATION INSTRUCTION

1. Basic Operation

- ON** : Short press to open
(Default: low wind speed),(Pic1)
- Fan Speed Switch** : Short press POWER button to adjust
Three speeds: Low, Mid, High
: Long press to shut down
: The color of POWER light represents the battery capacity level
- OFF**
- Battery**

-  : High battery level
-  : Mid battery level
-  : Low battery level



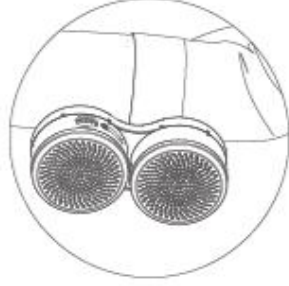
Pic1

2.Wearable Option

(Wearable solution is the default form)

The wearable solution is suitable for taking a baby out in a stroller, gardening, heavy work and other outdoor activities.

1. Put FitAir on your right arm and tighten the velcro strap (Pic1).
2. Install the Air Inlet at the mask and connect with the Soft Tube (Pic2).
3. Install the Air Outlet of the soft tube at the Air Gate of FitAir (Pic3).
4. Adjust the length to your preference (Pic4).



Pic1



Pic2



Pic3



Pic4

3. Stand-alone Option

(The wearable form can be changed to the stand-alone form with the following 3 steps.)

1. Disconnect the Cleaning Module and the Control Module from the Wearable Seat by rotating counterclockwise (Pic1).
2. Line up the "Arrow Signs" on the Cleaning Module and the Control Module.
3. Finish the process by rotating clockwise (Pic2).



Pic1



Pic2

4. Mask Full Solution

1. Prepare a new mask, draw a 3cm circle which is smaller than the size of Air Inlet (Pic1).
2. Cut out the circle that you draw with scissors.
3. Install Air Inlet and soft tube (Pic2).



Pic1



Pic2

5. Filter Change

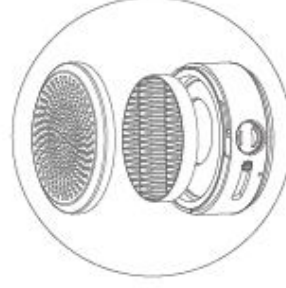
Best time for filter replacement :

Change the filter when the filter color changes to dark gray, or look for a black filter reminder in the FitAir app.

1. Open the cap of the Cleaning Module by rotating counterclockwise (Pic1).
2. Take out the dirty filter and put in a new one (Pic2).
3. Close the cap by rotating clockwise.



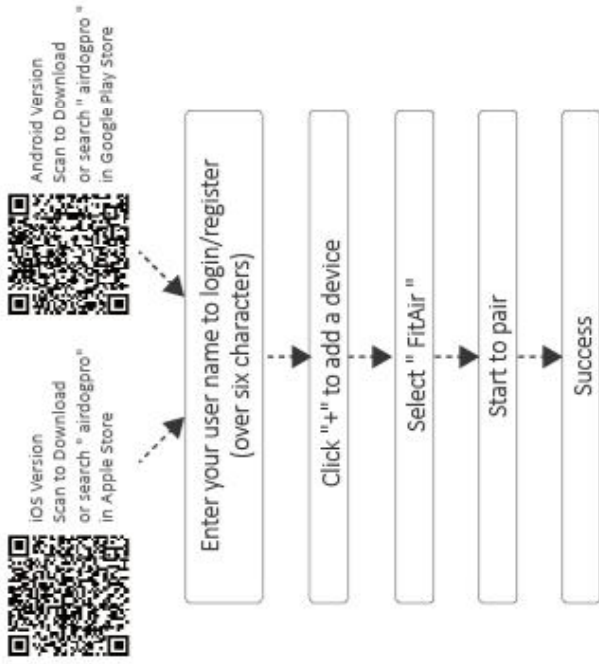
Pic1



Pic2

6.App Setup

Keep your Bluetooth open before FitAir pairs with your phone.



SPECIFICATION

Model: JHB-18	Voltage: 3W
Input power: 5V ...*1	Battery Life: 2~6h**2
Purification Efficiency: 97.8%	

*1 DO NOT use 9v plug

*2 Battery Life depends on the fan speed you choose

WARRANTY

We will repair or exchange your FitAir at no cost if it malfunctions (EXCEPT human factors) within 1 year of purchase (Filter, Mask and Soft Tube excluded). After 1 year, the cost of repair or exchange will be based on the actual cost of parts and labor.

Please contact our customer support via email
support@siliconvalleyairexperts.com
for further assistance.

FitAir- Silicon Valley air expert Inc.  **Airdog**
Silicon Valley Air Experts



FitAir Your Ultimate Personal Air Purifier

FitAir is a smart personal air system that improves your health by freeing your air of viruses, smoke, bacteria, allergens and other harmful microbes. By cleaning within 25 square feet of your personal space at a rate of 3x per hour, this personal shield prevents everyday intake of harmful contaminants and allergens both indoor and outdoor. With the one-of-kind wearable solution, FitAir could be attached to your tote, baby stroller, car seat etc. It is an ideal travel companion for shared spaces and polluted areas.

High Volume Air Flow

High porous inlets with 290 ports, allowing maximum air flow of 130 L/min (average adult breathing capacity is 10-20 L/min). It offers continuous cleaning of 25 square feet of space surrounding you. There are three-levels of air flow adjustments.



Long battery life

A full charge lasts up to 6 hours of continuous operation. Different colored lights indicate remaining battery life.



Green 3~6h

Yellow 1~3h

Red 1h

Easy USB Charging

Normal use while charging



This device complies with Part 15 of the FCC Rules.

Operation is subject to the following two conditions:

- (1) this device may not cause harmful interference, and
- (2) this device must accept any interference received, including interference that may cause undesired operation.

CAUTION: Changes or modifications not expressly approved by the party responsible for compliance could void the user's authority to operate the equipment.

For a Class B digital device or peripheral, the instructions furnished the user shall include the following or similar statement, placed in a prominent location in the text of the manual:

NOTE: This equipment has been tested and found to comply with the limits for a Class B digital device, pursuant to Part 15 of the FCC Rules. These limits are designed to provide reasonable protection against harmful interference in a residential installation.

This equipment generates, uses and can radiate radio frequency energy and, if not installed and used in accordance with the instructions, may cause harmful interference to radio communications.

However, there is no guarantee that interference will not occur in a particular installation. If this equipment does cause harmful interference to radio or television reception, which can be determined by turning the equipment off and on, the user is encouraged to try to correct the interference by one or more of the following measures:

- Reorient or relocate the receiving antenna.
- Increase the separation between the equipment and receiver.
- Connect the equipment into an outlet on a circuit different from that to which the receiver is connected.
- Consult the dealer or an experienced radio/TV technician for help.

Product Model: JHB-18

Product ID: 2AOF9JHB-182017

Designed by Silicon Valley air expert Inc.
Manufactured by BeiAng Air Tech Ltd.

