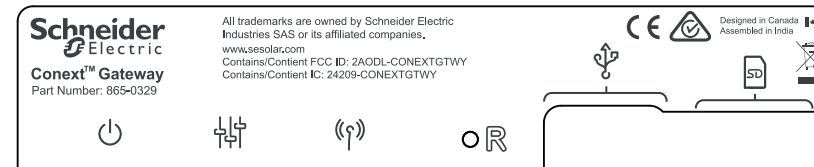
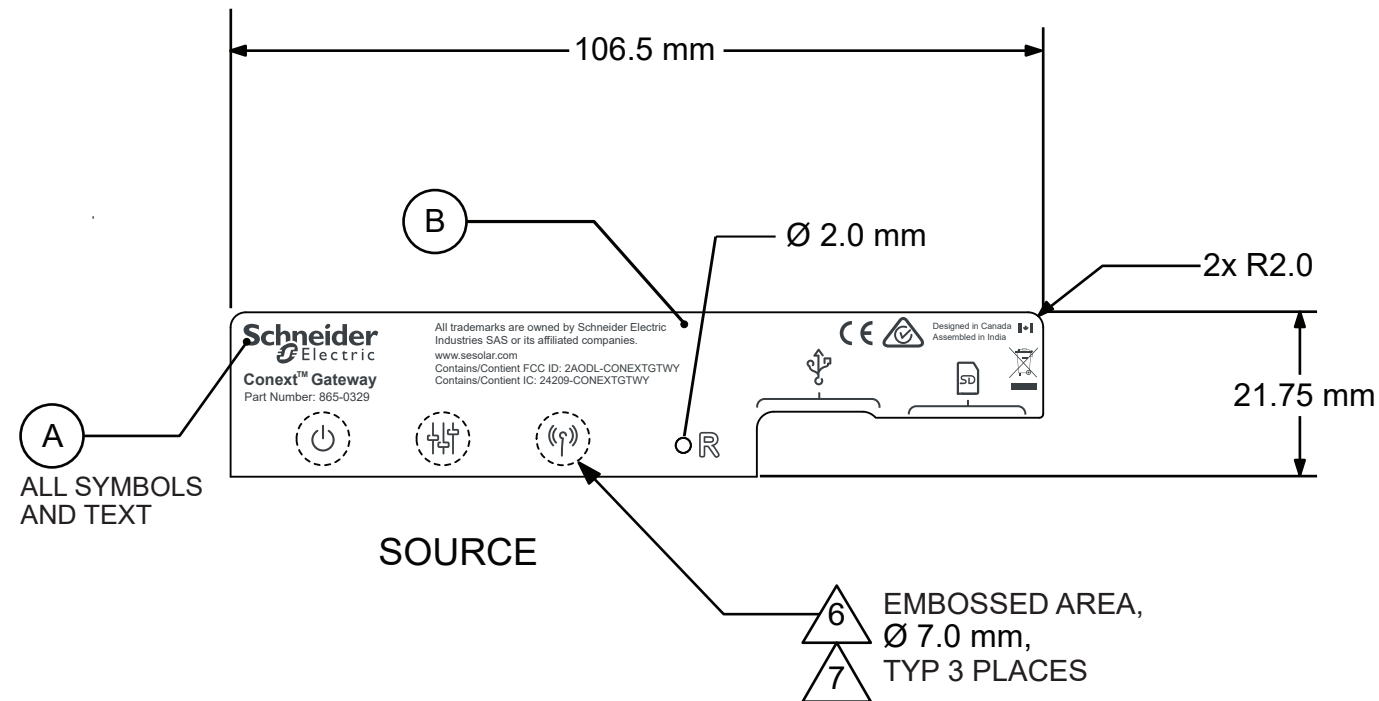


COLOUR TABLE	
CODE	COLOUR
(A)	SE GREY 6 (COOL GREY 11 C)
(B)	SE WHITE 3 (RAL 9003)

REVISIONS							
CC	REV	CHANGES	DATE	AUT	CHK'D	TC	REG
01	A	ECO 30378 - INITIAL RELEASE	2018-07-09	L.ROUTLEY	D.MILLER	M.MCQUEEN	R.MCDIARMID
01	B	ECO 30565 - ADDED FCC ID & ID INFO	2018-11-02	L.ROUTLEY	A.FEINBERG	M.MCQUEEN	R.MCDIARMID
01	C	ECO 30565 - VERSION A; ADDED WHITE	2018-11-14	L.ROUTLEY	---	M.MCQUEEN	---
01	D	ECN BMn7206 - ADDED RCM & WEEE SYMBOLS (SEE MECH-2470)	2018-12-14	D.LAUGUICO	J.RICHTER	M.MCQUEEN	R.MCDIARMID
01	E	ECN BMn7206 - ADDED FRENCH TRANSLATION OF "CONTAINS"	2019-01-02	D.LAUGUICO	J.RICHTER	M.MCQUEEN	R.MCDIARMID



ARTWORK

NOTES:

- MATERIAL: 0.20mm POLYESTER (PET). AUTOTEX V200 VELVET MATTE FINISH OR EQUIVALENT
- ADHESIVE BACKING: 3M 9495 MP, 3M468 OR EQUIVALENT
- BACKGROUND COLOUR: SEE COLOUR TABLE ABOVE.
- TEXT AND LINES COLOUR: SEE COLOUR TABLE ABOVE
- FOR ARTWORK SEE 885-91421B_Rev-D. TEXT HAS BEEN CONVERTED TO PATHS.
- AREAS SHOWN WITH DASHED LINES (DO NOT PRINT!) TO BE EMBOSSED 0.5 mm HIGH, ON FRONT SIDE OF LABEL.
- DO NOT PRINT DASHED LINES.** NO ADHESIVE BEHIND EMBOSSED AREAS.
- FINISHED PART (INCLUDING ALL SUB-ASSEMBLY COMPONENTS MUST BE ROHS COMPLIANT (EU ROHS DIRECTIVE 2011/65/EU). MANUFACTURER WILL BE REQUIRED TO CERTIFY ROHS COMPLIANCE. IF THERE IS A CONFLICT BETWEEN THE SPECIFICATIONS AND ROHS COMPLIANCE, THE VENDOR MUST CONTACT SCHNEIDER ELECTRIC FOR CLARIFICATION
- FIRST OFF-SAMPLE TO BE SUBMITTED TO SCHNEIDER ELECTRIC SOLAR INVERTERS USA INC. FOR APPROVAL WITH FIRST ARTICLE INSPECTION REPORT PRIOR TO PRODUCTION. CONFORMANCE AND NON-CONFORMANCE ITEMS TO BE SHOWN ON THIS DRAWING WITH REPORT ATTACHED.
- INSPECTION DIMENSIONS SHOWN. ARTWORK TO BE USED FOR CREATING LABELS.

CONFIDENTIAL INFORMATION OF SCHNEIDER ELECTRIC © COPYRIGHT 2018 SCHNEIDER ELECTRIC. ALL RIGHTS RESERVED. ALL TRADEMARKS ARE OWNED BY SCHNEIDER ELECTRIC INDUSTRIES SAS OR ITS AFFILIATED COMPANIES AND SHALL NOT BE USED OR REPRODUCED IN ANY FORM OR FOR ANY PURPOSE WHATSOEVER, WITHOUT THE EXPRESS WRITTEN PERMISSION OF SCHNEIDER ELECTRIC INDUSTRIES SAS.			
TOLERANCES: (UNLESS OTHERWISE SHOWN)	X +/- 1	X.X +/- 0.5	ANGLES +/-1°



TITLE: LABEL PUSH BUTTONS CONEXT GATEWAY							
DIMENSIONS ARE IN MILLIMETERS UNLESS OTHERWISE SHOWN	AUT L.ROUTLEY DES L.ROUTLEY	2018-07-09 2018-07-09	SIZE B SCALE: 1:1	DWG No. 885-91421B (270-2342-01-01)	REV E SHT 1 of 1		