

Model#GS-SB204

SoundBar



User manual & Safety Guide

Thank you for choosing GS-SB204. We hope you enjoy each and every use of this product. We suggest that you read this user manual carefully before primary use in order to utilize all of the features in functions installed. Please store it in a safe place for future reference and pass it on to the next owner.

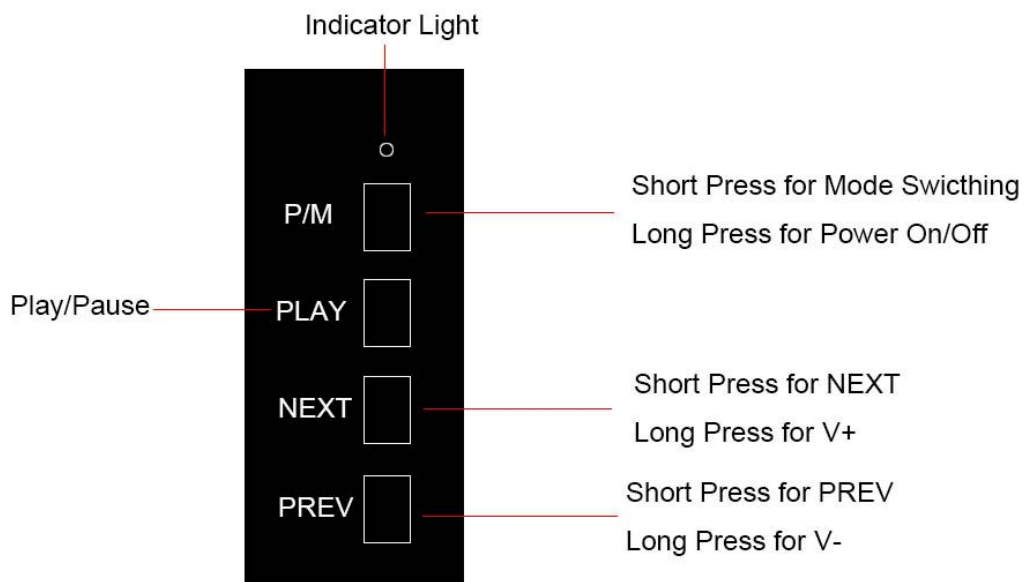
Features:

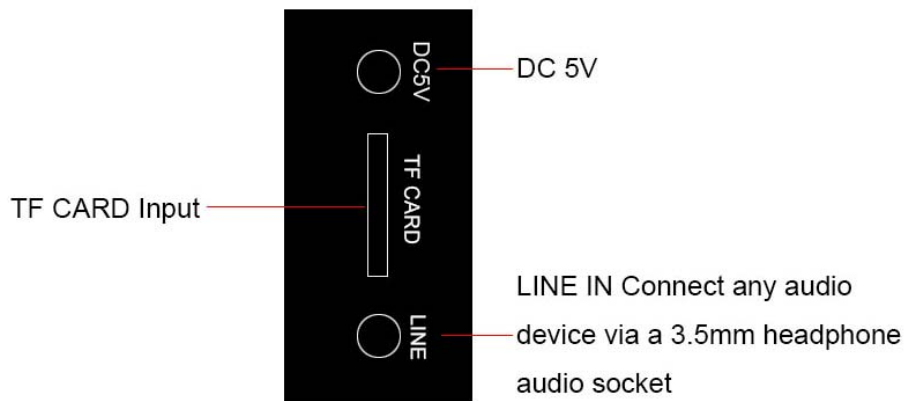
Bluetooth - stream and enjoy music wirelessly from any Bluetooth enabled device.

2.0Ch Surround Sound Bar - full range true cinematic surround sound.

Easy Setup – Line In Mode, TF Card Mode, simply do it yourself plug and play connection will have you all setup in minutes.

Main Chart of Panel





Connections

Bluetooth Connection

To pair the BT- Speaker with your Smartphone or other Bluetooth enabled device hit mode to enter Bluetooth mode. Enable the Bluetooth function on your Smartphone or other Bluetooth enabled device and hit scan for BT- Speaker. When found choose it from the list.

If prompted to input a password insert 0000, once successfully paired, select the BT- Speaker from the list of paired devices and select in order to connect.

Line In

Use the provided AUX cable (3.5mm) to directly connect Smartphones, tablets, and other music devices.

Its corresponding signal source is LINE IN which can be available by Pressing (mode) on the panel.

TF CARD Input

Insert the TF card into the device, and then you can enjoy music.

Its corresponding signal source is TF CARD Mode which can be available by pressing (mode) on the panel.

Instructions of Indicator Light

-FAST BLINKING BLUE LIGHT

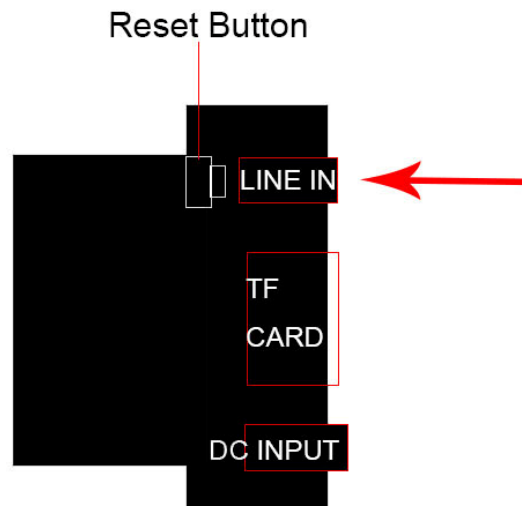
Pairing mode looking for Bluetooth device.

- BLUE SOLID LIGHT

- Device successfully paired.
- **BLINKING BLUE LIGHT**
Bluetooth play.
- **SOLID GREEN LIGHT AND BLINKING BLUE LIGHT**
TF CARD Mode.
- **GREEN SOLID LIGHT**
Line IN Mode.
- **RED SOLID LIGHT**
Charging state.
- **RED LIGHT GOES OUT**
Charging completion.

Troubleshooting

| Issue | Possible Causes | Solution |
|--|---|---|
| No sound or distorted sound | 1. Battery power shortage 2. The volume is set to the minimum level. | 1. To charge the device 2. Turn up the Volume |
| The buttons on the unit are not working or the device didn't respond | Battery without electricity | To charge the device |
| The buttons on the unit are not working and Indicator light work. | Due to unstable voltage or improper use. | Press the reset button. As shown below: From the side panel insert the item less than 3.5mm and press the reset button |



SPECIFICATIONS

| | |
|------------------|--------|
| Power input | DC5V |
| Battery capacity | 1500MA |

| | |
|-----------------------------|--------------------------------------|
| Power consumption | 7W |
| Speaker size | 2 inch |
| Number of speakers | 2 |
| Vibrating Diaphragm | 1 |
| Cabinet material | ABS Plastic (Crack resistant) |
| Sound bar dimensions | 42.8*5.5*6.5CM |

FCC WARNING

This device complies with part 15 of the FCC Rules. Operation is subject to the following two conditions: (1) this device may not cause harmful interference, and (2) this device must accept any interference received, including interference that may cause undesired operation.

Any changes or modifications not expressly approved by the party responsible for compliance could void the user's authority to operate the equipment.

NOTE: This equipment has been tested and found to comply with the limits for a Class B digital device, pursuant to Part 15 of the FCC Rules. These limits are designed to provide reasonable protection against harmful interference in a residential installation. This equipment generates, uses and can radiate radio frequency energy and, if not installed and used in accordance with the instructions, may cause harmful interference to radio communications. However, there is no guarantee that interference will not occur in a particular installation. If this equipment does cause harmful interference to radio or television reception, which can be determined by turning the equipment off and on, the user is encouraged to try to correct the interference by one or more of the following measures:

- Reorient or relocate the receiving antenna.
- Increase the separation between the equipment and receiver.
- Connect the equipment into an outlet on a circuit different from that to which the receiver is connected.
- Consult the dealer or an experienced radio/TV technician for help.

To maintain compliance with FCC's RF Exposure guidelines, This equipment should be installed and operated with minimum 20cm distance between the radiator your body: Use only the supplied antenna.