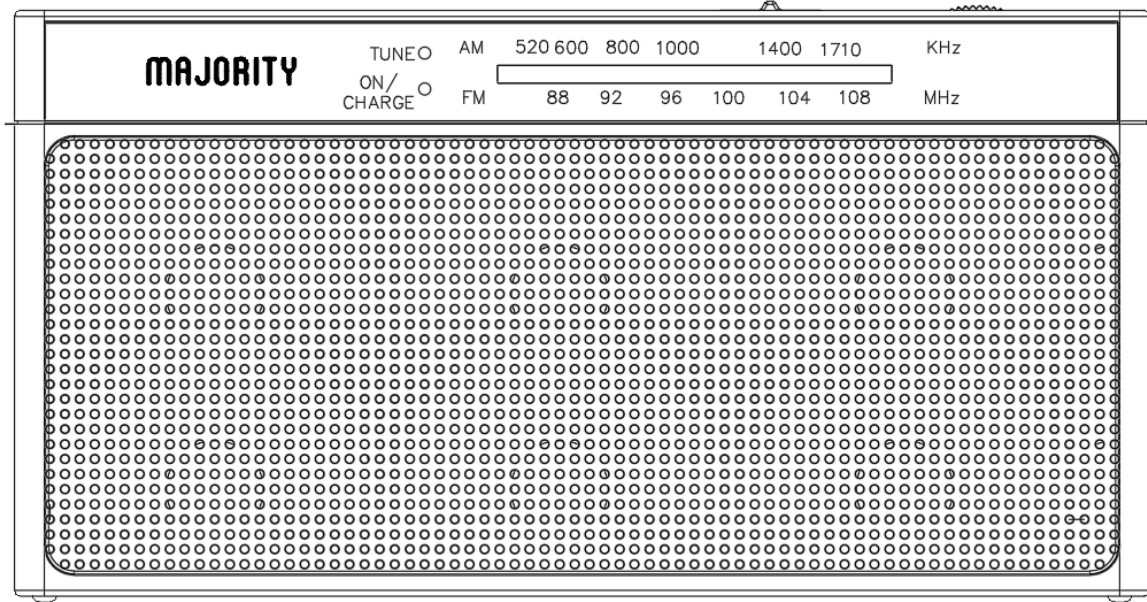


GS-RA20 FM RADIO



SPECIFICATIONS

MODEL: GS-RA20

RANGE (UK) :

AM: 522-1620KHZ

FM: 88-108MHZ

RANGE (US) :

AM: 520-1710KHZ

FM: 88-108MHZ

OUTPUT:>1.3W

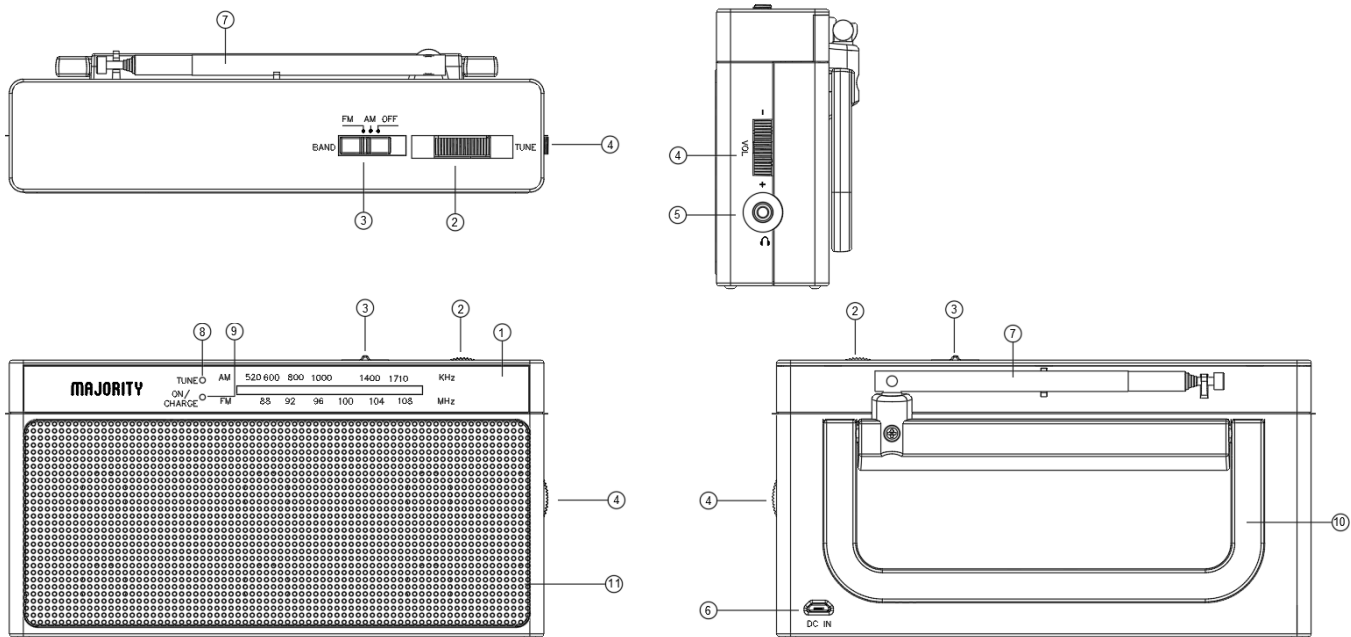
SPEAKER: Φ 66mm, 4 Ω

EARPHONE JACK: Φ >3.5mm

Integrated rechargeable battery: 2200mA (3.7V)

Batteries SIZE:100(H)x190(W)x52(T)mm

WEIGHT: 379g(with battery)



1. Radio Dial Scale
2. Tuning Knob
3. Switch
4. Volume Control
5. Earphone Jack
6. DC IN charging port
7. Telescopic Antenna
8. TUNE light
9. ON/CHARGE light
10. Hand Strap
11. Speakermesh

LISTENING TO THE RADIO

1. The band switch push to (FM or AM) function is in boot mode
2. Select a desired band (AM or FM) with the Band Switch.
3. Turn the Volume Control up and down to adjust the volume level.
4. Tune to your desired radio station with the Tuning Knob.
5. It is the best reception when the TUNE light is green.
6. To enhance the reception for a FM station, straightly pull out the Telescopic Antenna fully. The Telescopic Antenna cannot swivel.
7. The AM antenna is inside the radio, to enhance the reception for an AM station, reposition the radio until a good reception is got as the AM antenna is directional.
8. Push the band switch to OFF after use.

NOTE: If the radio is not in use for an extended period, remove all batteries to prevent leakage and store them in a cool dry place.

Charging method:

Insert one end of the power cord into the [DC IN] port of the machine, and the other end of the USB into the USB interface of the computer, or connect the standard 5V 530mA charging interface. The "red light" is on during charging, and the "green²light" is on after charging. This machine built-in charging protection circuit, can be connected to the computer or charger for a long time. About 3-5 hours, it can be full of battery; Battery life varies depending on the volume of the unit when using.

When the battery is low, the system automatically shuts down. Please charge the battery in time. If you do not use the unit for a long time, charge it at least once a month to protect the battery and extend its life.

HEADPHONE FEATURE (Earphone/Headphone is not included)

ATTENTION: Listening to music with earphones for long periods and at high volume levels can lead to hearing damage! If you experience hearing problems or noise in the ears, stop listening immediately and consult a doctor.

1. Always turn the volume to the lowest level before inserting the earphone.

Some unexpected sound will be heard when the earphone's plug is inserted or pulled out, which may uncomfort your hearing.

2. Insert a set of earphone into the Earphone jack at the side of the radio.
3. Put on the earphone then re-adjust the Volume Control to a comfortable level.
4. Leave the Volume Control alone once you have set the volume level.
5. After use, put off the earphone first then turn off the radio.

NOTE: Once the earphone is inserted, the speaker will be muted automatically.

MAINTENANCE

1. Do not use this unit in a high temperature (excess 60^oC) or moist environment.
2. Do not attempt to clean the unit with chemical solvents as this might damage the unit. Wipe the set with a soft cloth moistened with a mild soap and water.

3

IMPORTANT SAFETY INSTRUCTIONS

Read, keep and follow these instructions.

- Head all warnings.
- This product is not intended for commercial use. Household use only.
- This appliance is not intended for use by children and persons with restricted capabilities, it must only be used by persons who are able to use the appliance safely.
- Keep packing material away from children. There is a risk of suffocation!
- As the unit may become warm during operation, always ensure sufficient space around the unit for ventilation.
- The appliance should not be exposed to dripping or splashing, and no object filled with liquids, should be placed on the appliance, Keep the appliance away from direct sunlight and any open flames sources such as candles, or close to a source of heat such as radiators, stoves. Also avoid location subject to vibration and excessive dust, heat, cold or moisture.
- Do not use the player in an extremely dry environment, as this can lead to static discharge which can damage the player.
- If the apparatus is not used for a period of time, take batteries away from the unit. Store the batteries in a cool dry area.
- Ventilation should not be impeded by covering the ventilation openings. -Minimum distance 5 cm around the apparatus for sufficient ventilations.
- Do not attempt to dismantle or repair this unit yourself. This unit should be repaired by qualified service technician only.
- Servicing required when the apparatus does not operate normally or has been damaged in any way such as liquids spilled into the apparatus, any hard object fallen on the apparatus,

the apparatus has been dropped, the apparatus has been exposed to rain or moisture.

-Care required with the use of this apparatus in tropical and/or moderate climates.

-Do not subject the product to harsh impacts. Do not drop the appliance. This may result in damage to the product.

-The marking information is located at the back of the apparatus.

-Attention should be drawn to the environmental aspects of battery disposal.

-When the unit is suddenly moved from a cold environment to a warm one, if moisture forms inside this unit, it may not operate properly, to correct this problem wait about one hour for the moisture to evaporate.

-Only use accessories provided or approved by manufacturer.

FCC Warning Statement

Changes or modifications not expressly approved by the party responsible for compliance could void the user's authority to operate the equipment. This equipment has been tested and found to comply with the limits for a Class B digital device, pursuant to Part 15 of the FCC Rules. These limits are designed to provide reasonable protection against harmful interference in a residential installation. This equipment generates uses and can radiate radio frequency energy and, if not installed and used in accordance with the instructions, may cause harmful interference to radio communications. However, there is no guarantee that interference will not occur in a particular installation. If this equipment does cause harmful interference to radio or television reception, which can be determined by turning the equipment off and on, the user is encouraged to try to correct the interference by one or more of the following measures:

- - Reorient or relocate the receiving antenna.
- - Increase the separation between the equipment and receiver.
- - Connect the equipment into an outlet on a circuit different from that to which the receiver is connected.
- - Consult the dealer or an experienced radio/TV technician for help.

This device complies with part 15 of the FCC Rules. Operation is subject to the following two conditions: (1) This device may not cause harmful interference, and (2) this device must accept any interference received, including interference that may cause undesired operation.