

规格承认书

SPECIFICATION FOR APPROVAL

编号: 2018052902

File No. _____

版本: 1.0

Revision _____

客户
CUSTOMER: Dongguan SmartAction Technology Co.,Ltd

客户料号 **w3**

CUSTOMER NO: _____

品名 **2.4GHz Antenna**

PART NAME: _____

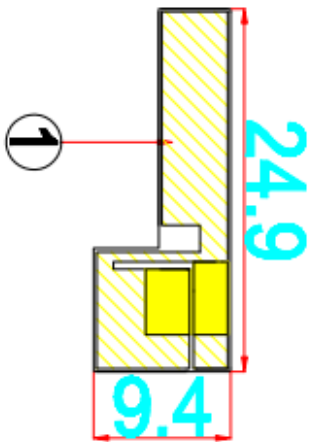
供方料号 **SL233P.300004.P01**

SUPPLIER NO: _____

SH-RD-F04-A

承认书项目表

NO.	内容 (Contents)	页数 (Number of Page)	页码 (Page Code)
1	承认书封面 (Spec Cover)	1	1
2	承认书项目表 (Spec Item)	1	2
3	工程成品图 (Drawing)	1	3
4	电性测试报告 (Test Reports)	1	4
5	S参数测试 (S Parameter)	1	5
6	增益测试 (Gain Test)	1	6
7	测试报告	1	7
8			
9			
10	-	-	-
11	-	-	-
12	-	-	-



1	FPC	24.9*9.4	1
NO	PART NAME	DESCRIPTION	Q.TY

<p>东莞市胜汇实业有限公司 Dongguan Shenghui Co., Ltd.</p>			
TOLERANCE UNLESS OTHERWISE SPECIFIED			
UNIT:mm	ANGLE:度	X: ±2.0	
SHEET: 1/1	XXX: ±0.2	XX: ±5.0	
SCALE: 1/1	XX: ±0.5	DATE:2018-12-18	
CUSTOMER	PART NO	TITLE	
		2.45GHz Antenna	
SIZE	DRAWN	CHECKED	APPROVED
M4	LUOYI	ZOUJIE	
B.I.P.M.D. SL239P.300002.P01			

电性测试报告

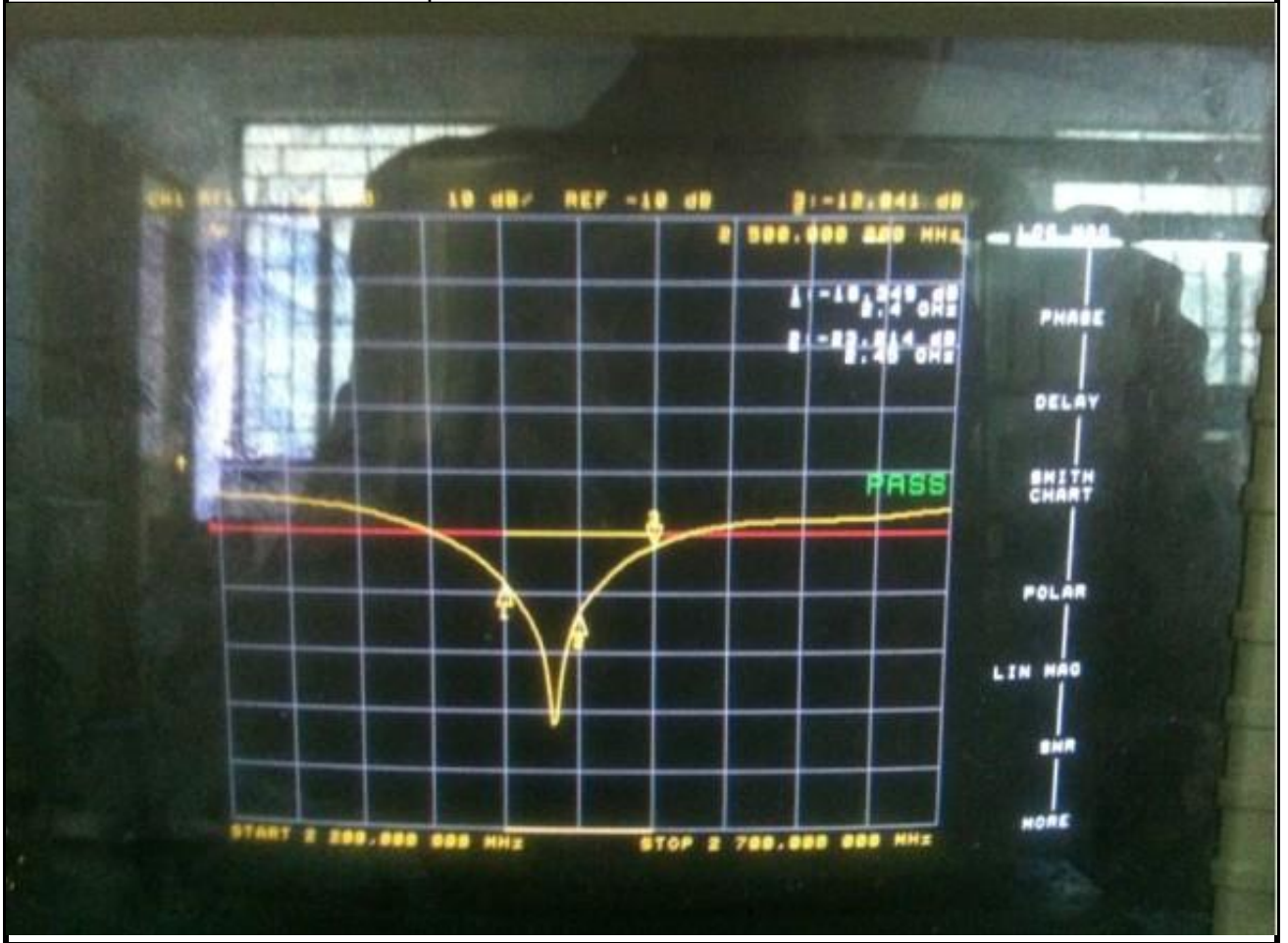
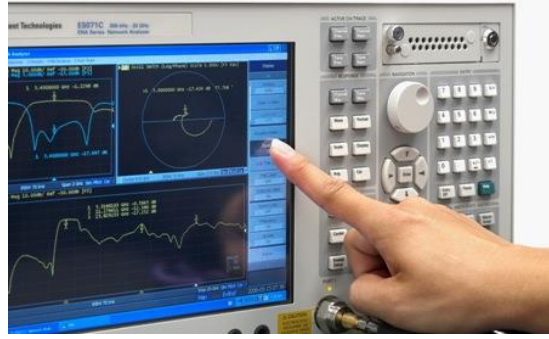
Test Reports

Electrical Properties	
Frequency	2.4GHz
Impedance	50 Ohm Nominal
V.S.W.R	1.92 : 1 Max
Return Loss	-10 dB Max
Radiation	Omni-directional
Gain (Peak)	2dBi
Cable Loss	3.2 dB / m Max @ 2450 MHz
Polarization	Linear, Vertical
Admitted Power	1 W
Connector	
Physical Properties	
Antenna Material	FPC
Cable Type	
Operating Temp.	-10 ~ +60 °C
Storage Temp.	-10 ~ +70 °C
Cable Color	

S 参数测试

S Parameter Test

Agilent E5071C



增益测试

Gain Test

*Antenna
Radiation
Pattern
VS
Gain*

