

TYLT

+ / bell speaker

MagSafe® Compatible Bluetooth®
Speaker Stand

Bluetooth® 5.1

1

POWER BUTTON

Hold the power button
for 3 seconds to turn
the unit on/off

Touch the power button
to answer/end calls and
pause/play music

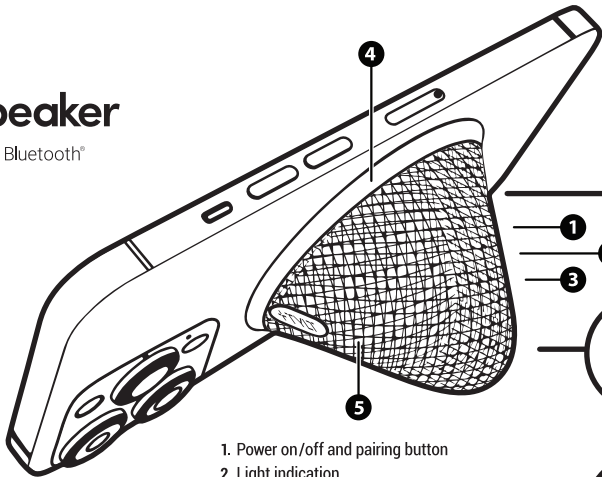
2

LIGHT INDICATION

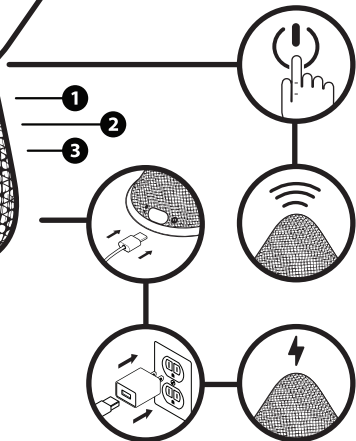
Solid White – Charging Battery

Blinking Blue – Pairing Mode

Solid Blue – Connected



1. Power on/off and pairing button
2. Light indication
3. USB-C input
4. 2W MagSafe® compatible
Bluetooth® speaker and stand
5. 500 mAh rechargeable battery



FCC Warning

This device complies with Part 15 of the FCC Rules. Operation is subject to the following two conditions:

(1) This device may not cause harmful interference, and (2) this device must accept any interference received, including interference that may cause undesired operation.

NOTE 1: This equipment has been tested and found to comply with the limits for a Class B digital device, pursuant to part 15 of the FCC Rules. These limits are designed to provide reasonable protection against harmful interference in a residential installation. This equipment generates, uses and can radiate radio frequency energy and, if not installed and used in accordance with the instructions, may cause harmful interference to radio communications. However, there is no guarantee that interference will not occur in a particular installation. If this equipment does cause harmful interference to radio or television reception, which can be determined by turning

the equipment off and on, the user is encouraged to try to correct the interference by one or more of the following measures:

- Reorient or relocate the receiving antenna.
- Increase the separation between the equipment and receiver.
- Connect the equipment into an outlet on a circuit different from that to which the receiver is connected.
- Consult the dealer or an experienced radio/TV technician for help.

NOTE 2: Any changes or modifications to this unit not expressly approved by the party responsible for compliance could void the user's authority to operate the equipment.

The device has been evaluated to meet general RF exposure requirement. The device can be used in portable exposure condition without restriction.