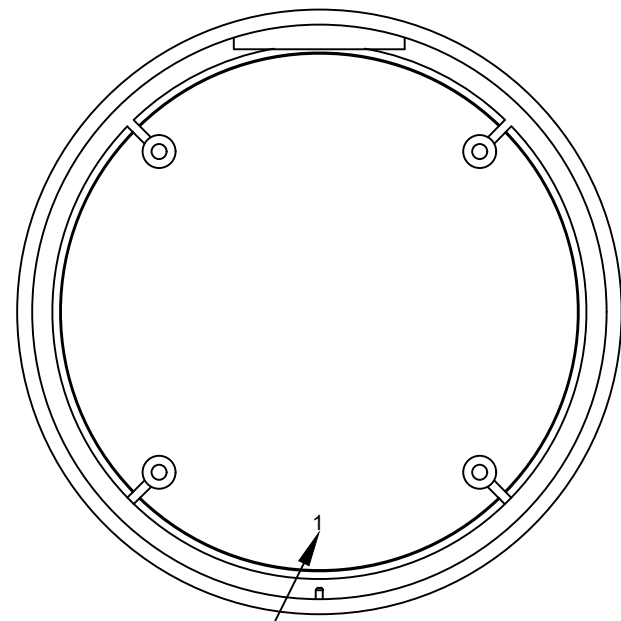
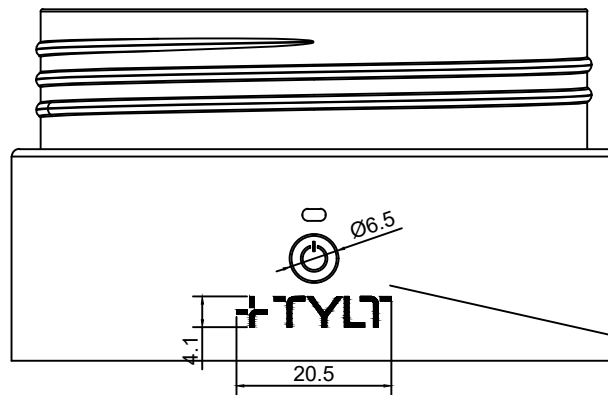


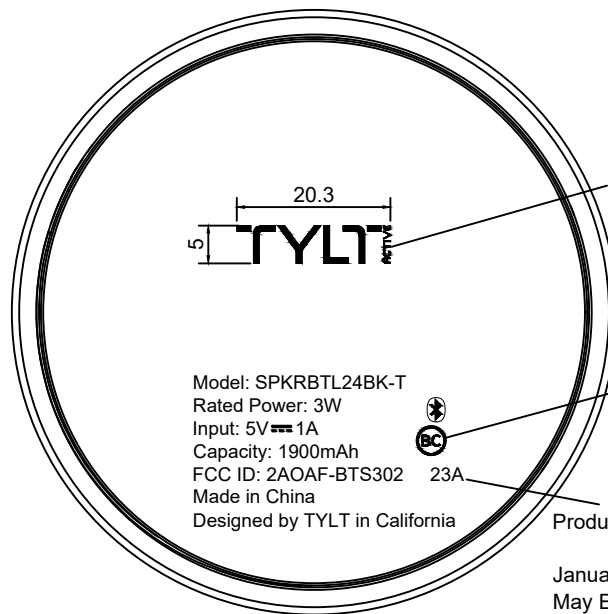
# Cover marking



Mold hole number: 1, 2...



Pad printing



Silk screen printing

Model: SPKRBTL24BK-T  
 Rated Power: 3W  
 Input: 5V  $\overline{=}$  1A  
 Capacity: 1900mAh  
 FCC ID: 2AOAF-BTS302  
 Made in China  
 Designed by TYLT in California



Screen printing, word height 1.8mm

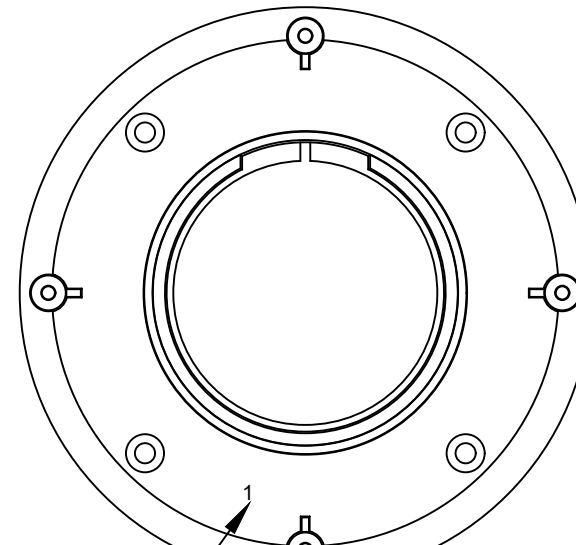
Production date: 23A

January A, February B, March C, April D,  
 May E, June F, July G, August H,  
 September I, October J, November K,  
 December L

### Technical requirements:

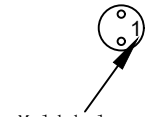
1. The production year and month shall be adjusted according to actual production;
2. The font is Arabic, with a height of 2mm and a protrusion of 0.2mm;

# Bracket marking



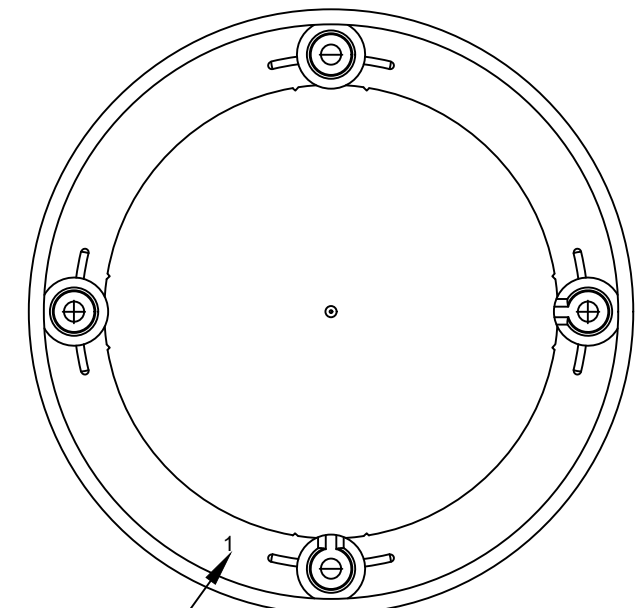
Mold hole number: 1, 2...

# Light guide column marking



Mold hole number: 1, 2...

# Base marking



Mold hole number: 1, 2...