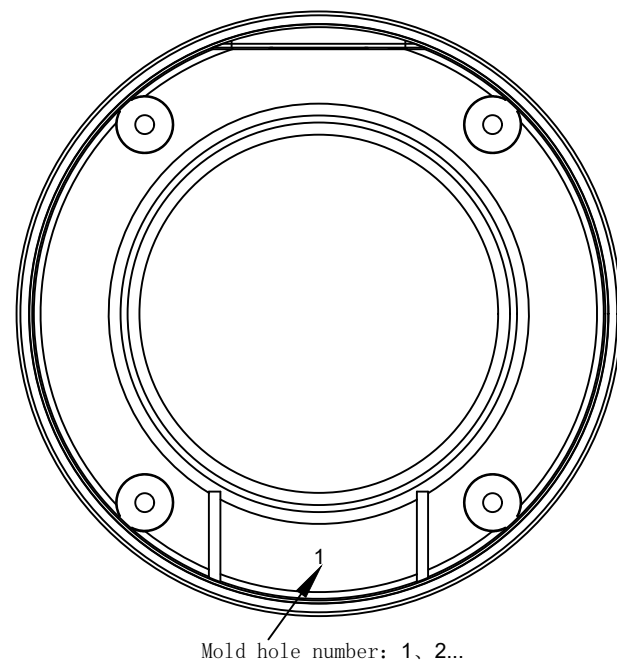
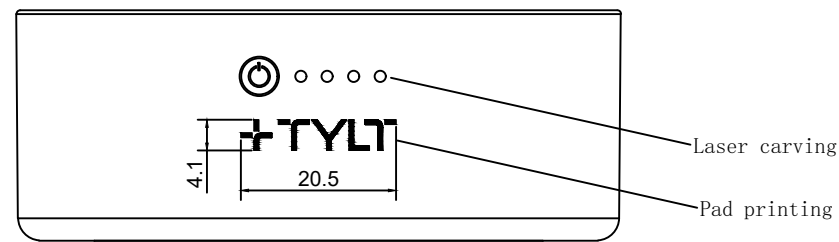
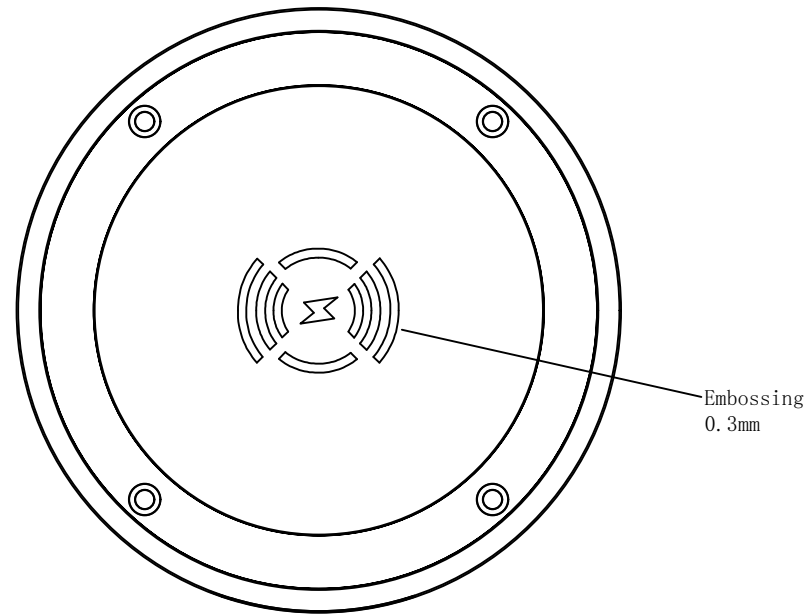
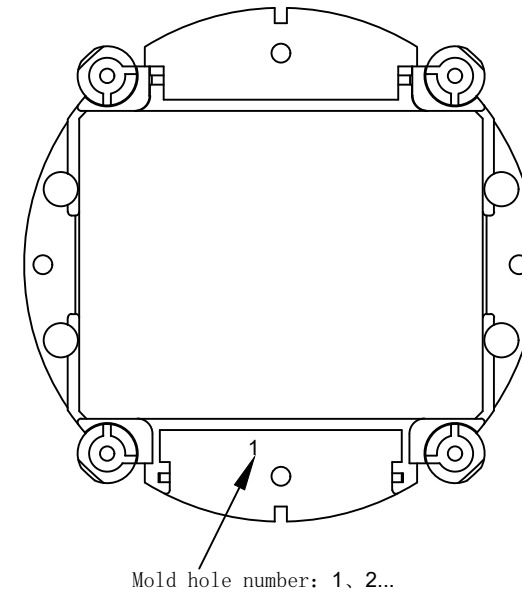


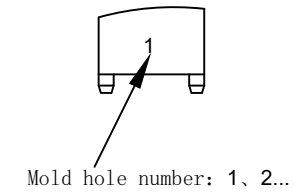
Base marking



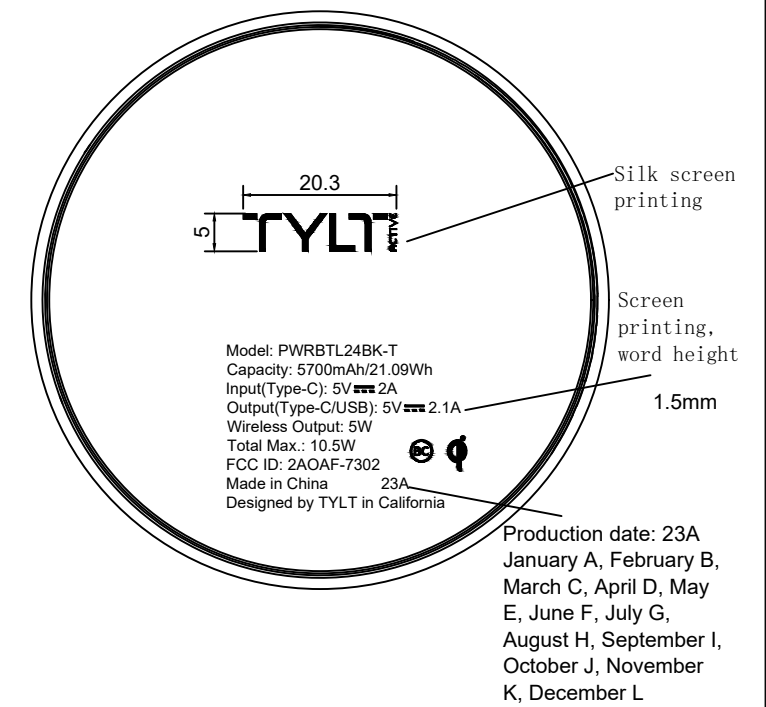
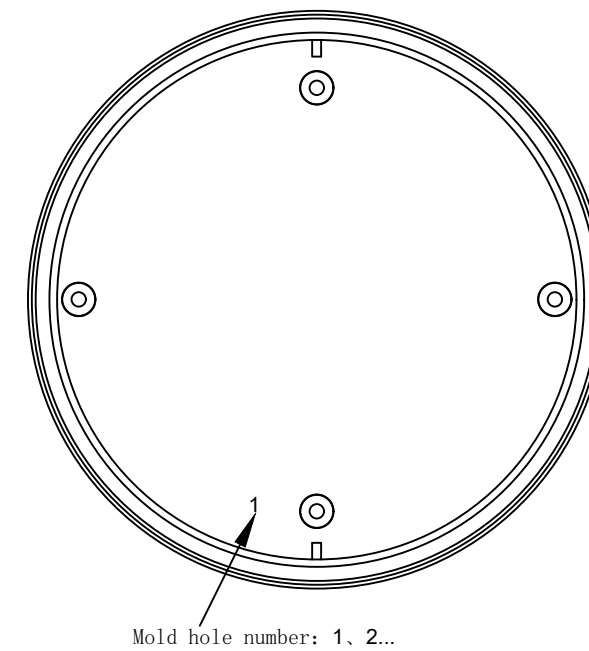
Bracket marking



Light blocking column marking



Cover marking



Technical requirements:

1.The production year and month shall be adjusted according to actual production;

2.The font is Arabic, with a height of 2mm and a protrusion of 0.2mm;