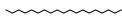


CUSTOMER



PRODUCT SPECIFICATION SHEET

APPELLATION: A11 Wireless transmission single coil module .

MODE: YX-A11-R421053-R0730 .

No.: _____ .

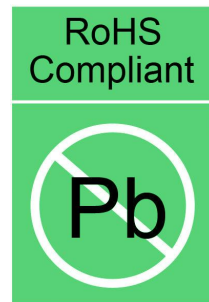
Manufacturer	TECHNICAL	QUALITY	PROJECT	DEVELOPING
	Jiuguijiang	wangxue	wangchunxia	Jiuguijiang

Client	Materials Engineer	Engineer	Approval	R & D System

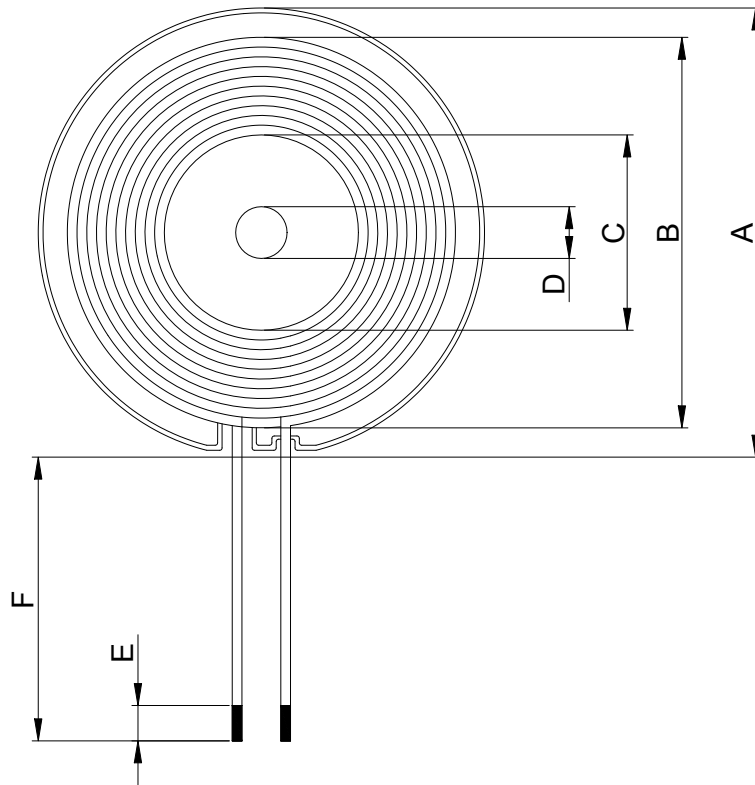


Shenzhen Cilianda Electronics Co., Ltd

Add: 505, 5th Floor, West Building, No. 221
Niucheng Village, Xili Town, Nanshan District,
Shenzhen
Tel: 0755-27652992 29016433
Fax: 0755-27652977
E-mail: cd001@cd-tek.com
Web: www.cd-tek.com



1. DIMENSIONS & MARKING:



Symbol	A	B	C	D	E	F
Value(mm)	42.8MAX	40.00MAX	20.5±0.5	5.30	3.0±1.00	30.0±2.00

2. ELECTRICAL SPECIFICATIONS @25°C

- 2.1 Operating Temperature range: -40°C~+85°C
- 2.2 Storage temperature range: -25°C TO +125°C
- 2.3 The test frequency: 100 KHz, 100mV @ 25°C,65%
- 2.4 OCL : 6.50±10% μH .
- 2.5 Diameter : 0.07mm*100P
- 2.5 Turns Ratio: 10T

DRAWN BY:	CHECKED BY:	APPROVED BY:	CUSTOMER:
jiuguijiang	jiuguijiang	wangchunxia	PART NO. : YX-A11-R421053-R0730

Shenzhen Cilianda Electronics Co., Ltd

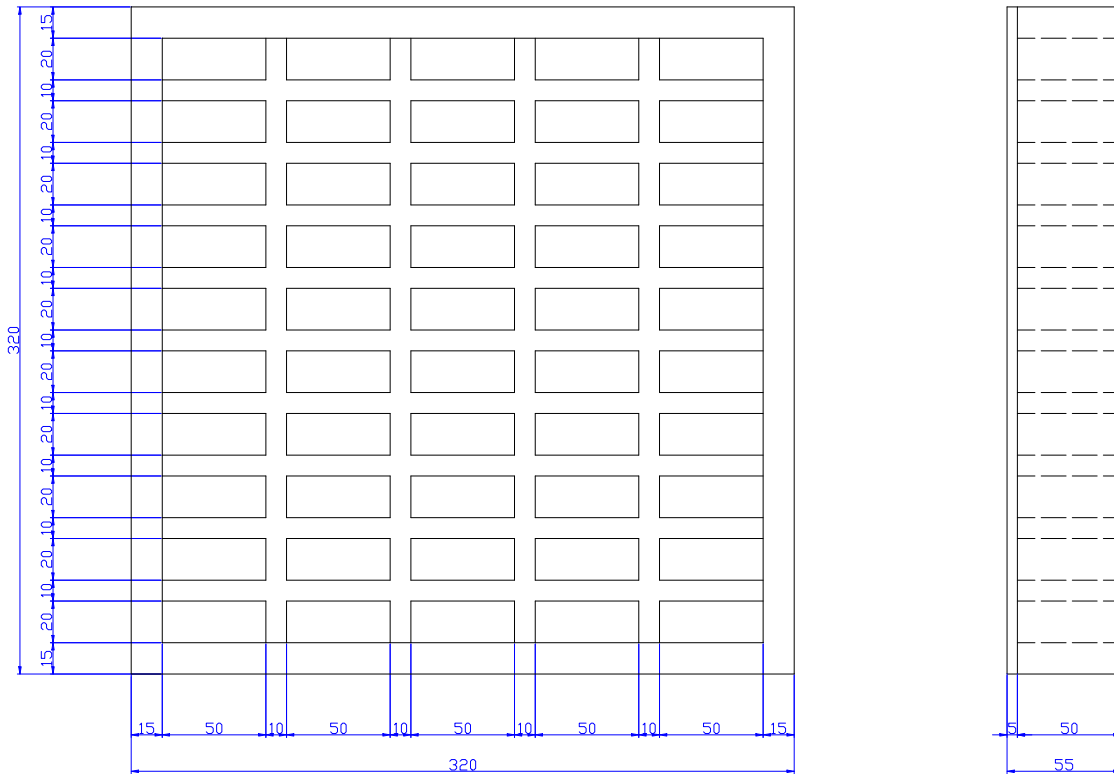
REV. : A

PAGE: 3 Of 4

3、 Bill of materials:

S/N	Name	Material specification	Materials use	Note
1	silk covered wire	0.07mm*100P	√	
2	Self-adhesive thread	0.07mm*100P		
3	Magnetic sheet	G42.8*5.3*1.0	√	
4	High temperature tape	8.00*0.05mm	√	
5	Back adhesive patch	T 42.8*5.5mm		
6	glue	Environmentally friendly water-based adhesive	√	
7	Solder bar	Sn97.3-0.7Cu	√	

4、 Packaging:



4.1 Quantity per grid: 6 PCS

4.2 Quantity per carton: 6*50 = 300PCS

4.3 Quantity per carton: 300*3 = 900PCS

4.4 Carton size: 350*350*180mm.

DRAWN BY:	CHECKED BY:	APPROVED BY:	CUSTOMER:
jiuguijiang	jiuguijiang	wangchunxia	PART NO. : YX-A11-R421053-R0730

Shenzhen Cilianda Electronics Co., Ltd

REV.: A
PAGE: 4 Of 4