

SHENZHEN GOODWIN TECHNOLOGY CO.,LTD

Wireless charger Mat

QIMATFB-T

## **1. Product introduction**

### **1.1 profile**

This product is a double charge. This is compatible with the Qi 5W wireless charging of apple fast charging and samsung fast charging.

The maximum output of each product is 10W.

### **1.2 features**

\* wireless charging, high working efficiency and long service life, can realize charging time.

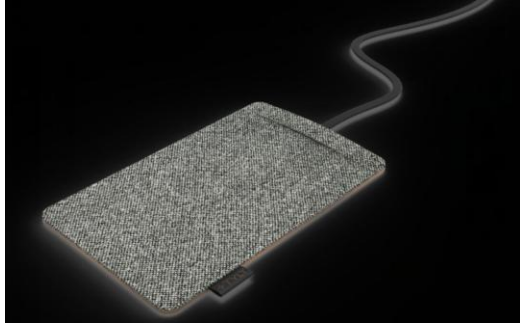
fragmentation

\* low leakage and low radiation;


\* multiple overload protection to ensure stable and reliable operation of equipment;

\* foreign body detection, automatic closing output when metal foreign body is near;

## **2. Physical pictures**



### 3. Technical parameters

Model: QIMATFB-T   
Input: 12V $\overline{=}$ 2.5A  
Output: 10W each (Max.)  
FCC ID: 2AOAF-600

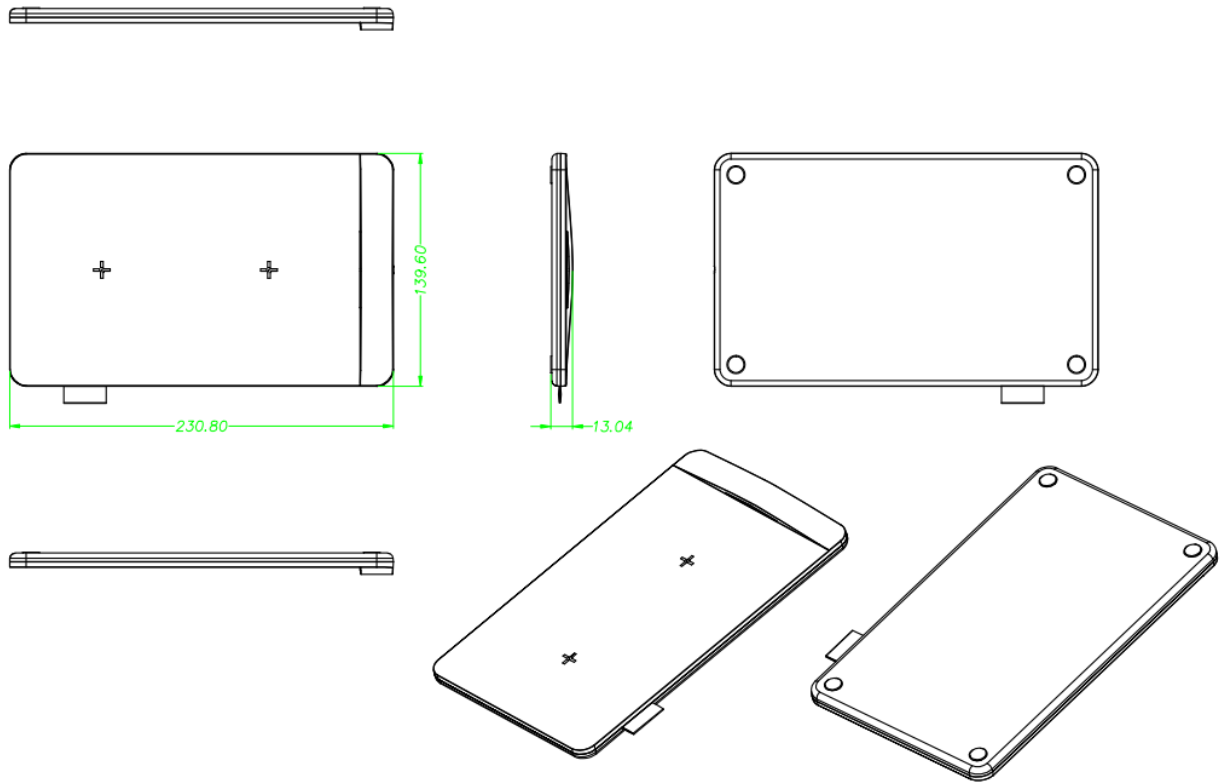
working frequency: 125 -205kHz.

Weight: 320 + 10 g

Ambient temperature: - 20 ~ + 50 °C

Storage temperature: - 30 ~ + 60 °C

Dimensions:



## 4. Operation and function.

### 4.1 features

#### Power indicator function:

**Power:** The white light goes off after one second

**Standby:** The light is not bright

**Charging:** The white light normally on

**Foreign body detection:** white light flashing

## 5. Safety Instructions

- 1) Do not expose to excessive heat such as sunshine or fire.
- 2) Do not charge in damp or wet conditions.
- 3) Do not use the unit near explosive gases or flammable materials.

- 4) Do not touch the device with wet hands.
- 5) Do not drop, crush, impact, or mechanical abuse the unit.

Manufacturer: SHENZHEN GOODWIN TECHNOLOGY CO.,LTD

Address: 4/F,Buiding A, Huayuan Industrial park, Fenghuang  
No.1 Industrial Area, Fuyong, Baoan Dist., Shenzhen,  
China

Manufacturer: SHENZHEN GOODWIN TECHNOLOGY CO.,LTD

Address: 4/F,Buiding A, Huayuan Industrial park, Fenghuang  
No.1 Industrial Area, Fuyong, Baoan Dist., Shenzhen,  
China

This equipment has been tested and found to comply with the limits for a Class B digital device, pursuant to part 15 of the FCC Rules. These limits are designed to provide reasonable protection against harmful interference in a residential installation. This equipment generates, uses and can radiate radio frequency energy and, if not installed and used in accordance with the instructions, may cause harmful interference to radio communications. However, there is no guarantee that interference will not occur in a particular installation. If this equipment does cause harmful interference to radio or television reception, which can be determined by turning the equipment off and on, the user is encouraged to try to correct the interference by one or more of the following measures:

- Reorient or relocate the receiving antenna.
- Increase the separation between the equipment and receiver.
- Connect the equipment into an outlet on a circuit different from that to which the receiver is connected.
- Consult the dealer or an experienced radio/TV technician for help.

Caution: Any changes or modifications to this device not explicitly approved by manufacturer could void your authority to operate this equipment.

This device complies with part 15 of the FCC Rules. Operation is subject to the following two conditions: (1) This device may not cause harmful interference, and (2) this device must accept any interference received, including interference that may cause undesired operation.

This equipment complies with FCC radiation exposure limits set forth for an uncontrolled environment.

This equipment should be installed and operated with minimum distance 20cm between the radiator & your body.