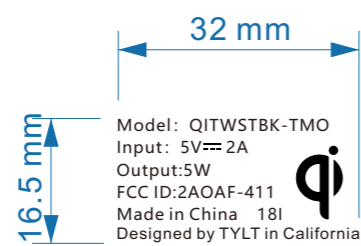
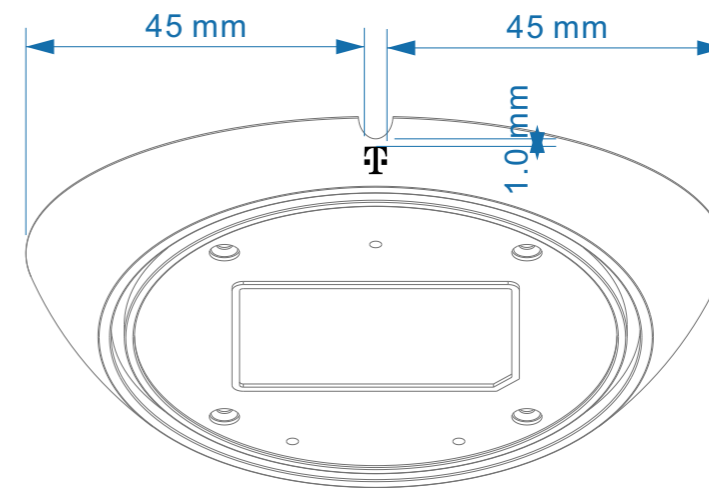
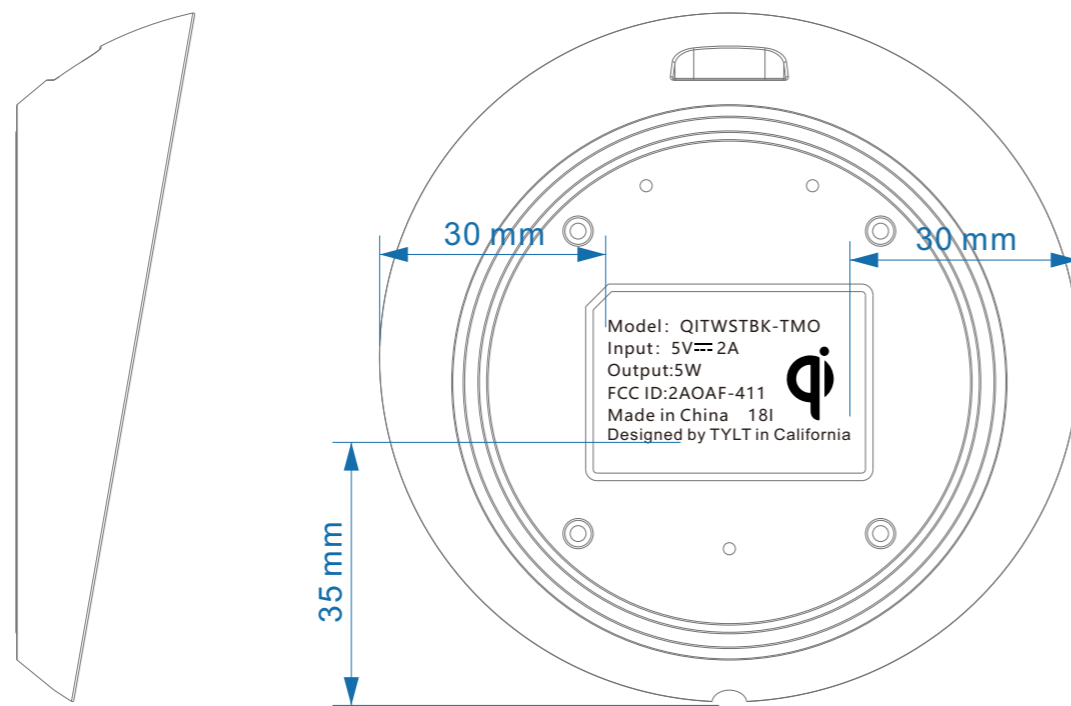


REVISION	AUTH	DESCRIPTION	DATE	APPROVED



DRAWING NO. REV. 1.0