




190.00 mm

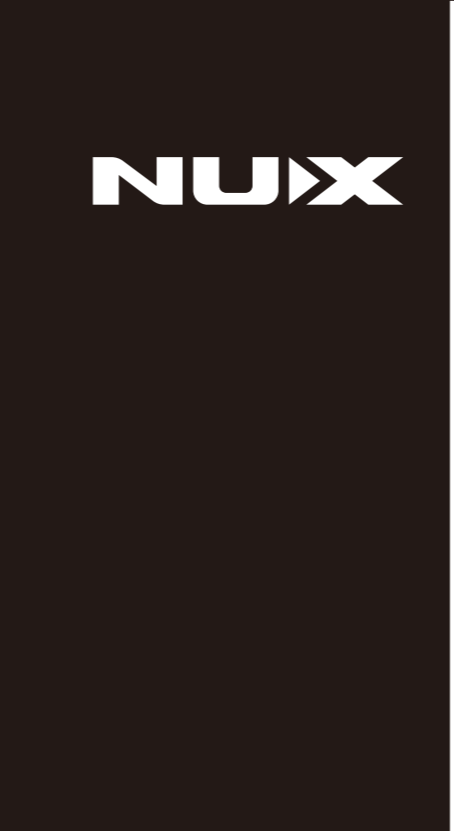
110.00 mm

售后服务地址
 广东省珠海市高新区唐家湾镇科技九路10号
 珠海市蔚科科技开发有限公司 售后服务部
 邮编：519085

制造商 深圳市蔚科电子科技有限公司	制造商地址 深圳市南山区蛇口兴华路6号南海意库1号楼507	电话 ：0755- 2686 9866	网址 ：www.cherub.cn
生产商 珠海市蔚科科技开发有限公司	生产商地址 珠海市高新区唐家湾镇科技九路10号	电话 ：0756-3689866	执行标准 ：Q/WKDZ 002-2017

中国制造



MIGHTY8BT
 PORTABLE AMPLIFIER
 便携式吉他音箱
Owner's Manual
 使用手册



SPEAKER
6.5"

EFFECTS
3

UPDATE
USB

WARNING

To reduce the risk of fire or electric shock, do not expose this appliance to rain or moisture.

CAUTION

This device complies with part 15 of the FCC Rules. Operation is subject to the following two conditions: (1) this device may not cause harmful interference, and (2) this device must accept any interference received, including interference that may cause undesired operation. Any changes or modifications not expressly approved by the party responsible for compliance could void the user's authority to operate the equipment.

NOTE: This equipment has been tested and found to comply with the limits for a Class B digital device, pursuant to Part 15 of the FCC Rules. These limits are designed to provide reasonable protection against harmful interference in a residential installation. This equipment generates, uses and can radiate radio frequency energy and, if not installed and used in accordance with the instructions, may cause harmful interference to radio communications. However, there is no guarantee that interference will not occur in a particular installation.

If this equipment does cause harmful interference to radio or television reception, which can be determined by turning the equipment off and on, the user is encouraged to try to correct the interference by one or more of the following measures:

- Reorient or relocate the receiving antenna.
- Increase the separation between the equipment and receiver.
- Connect the equipment into an outlet on a circuit different from that to which the receiver is connected.
- Consult the dealer or an experienced radio/TV technician for help. The device has been evaluated to meet general RF exposure requirement. The device can be used in portable exposure condition without restriction.



The lightning symbol within a triangle means, "Electrical caution!" It indicates the presence of information about operating voltage and potential risks of electrical shock.



The exclamation point within a triangle means, "Caution!" Please read the information next to all caution signs.

Contents

Introduction	01
Features	01
Control Panel	02
Functional Operation	04
Battery Operation	07
Specification	08

Introduction

Portable and powerful – Mighty8BT is portable 8-watt amplifier with guitar and microphone channels and Bluetooth connection. There are primary settings on the amplifier's top panel and you can easily dial-up the sound you like. Choose a drive or clean tone and activate the effects with the LED colored buttons, adjust the gain, output level and EQ, and engage 3 effects simultaneously (MOD/DELAY/REVERB). You can connect your mobile device to play your favorite music or your backingtracks, plug your guitar and microphone to play along and sing. Carry your creativity everywhere!

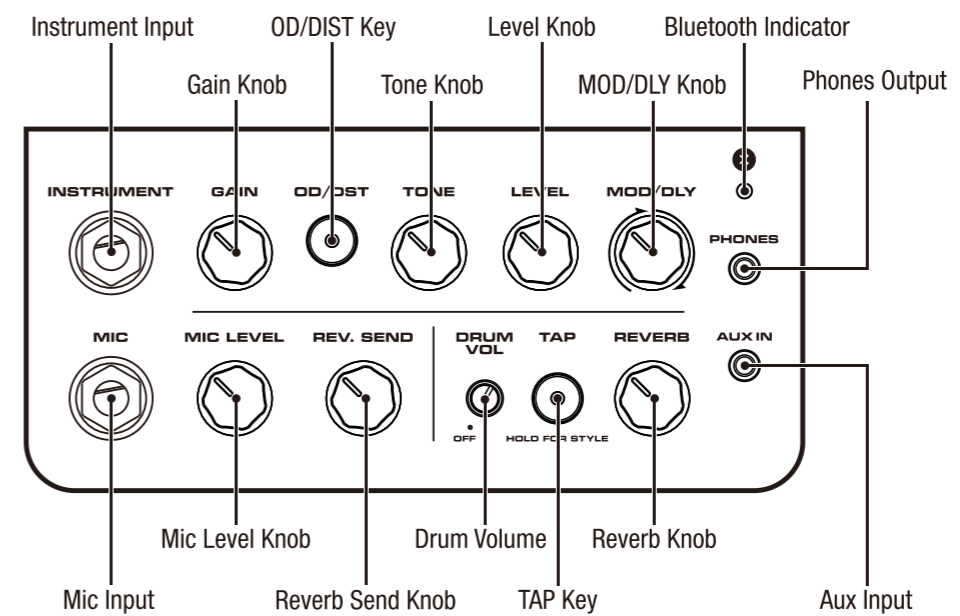
* There are more effects and functions comes up with Mighty APP, free to download on Google Play and Apple Store.

Features

- 8 Watt, 6.5" speaker
- Bluetooth connection
- 2 Inputs for Instrument and Microphone
- Instrument Channel
 - Clean, Overdrive and Distortion sounds
 - Tone, Level and Modulation / Delay level controls
- Microphone Channel
 - Level and Reverb effect send controls
- Drum rhythms and drum level controls
- TAP TEMPO to adjust the drum speed
- Master Reverb control
- 1/8" headphone output
- 1/8" auxillary input
- Micro B USB input
- Power: DC 12V Negative Tip power adapter input or 8 AA size batteries

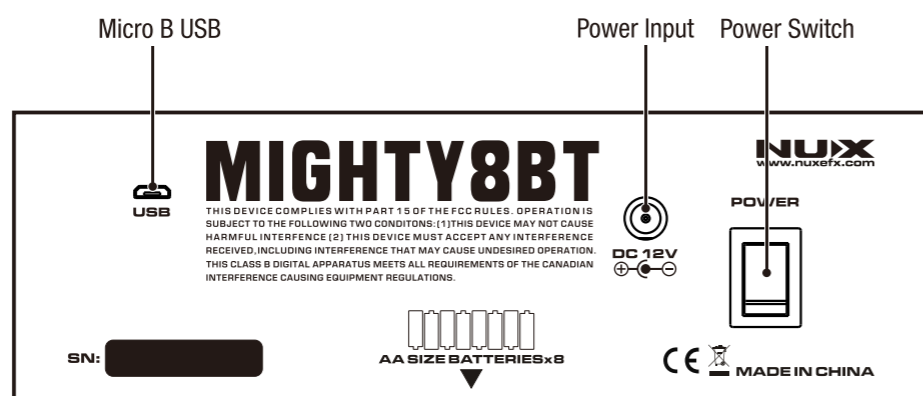
01

Control Panel



02

Control Panel



Functional Operation

INSTRUMENT



Instrument Input
1/4" Mono jack instrument channel input.

GAIN



Gain Knob
Adjusts the instrument input gain level.

OD/DST



OD/DIST Key
Instrument channel sound select button. The LED light will show the selected sound as.
Green: Clean
Yellow: Overdrive
Red: Distortion

STONE



Tone Knob
Adjusts the instrument frequency. Clockwise – Bright, Anti-clockwise – Darker sound.

LEVEL



Level Knob
Instrument channel output level.

MOD/DLY



MOD/DLY Knob
Quick control of the selected modulation and delay effect levels. Please check the Mighty APP for effects and controls.



Bluetooth Indicator
The LED blinks when it's ready for scan. And the LED flashes solid when it's connected.

Functional Operation



Phones Output

1/8" Stereo jack headphone Output.



Mic Input

1/4" Mono jack microphone channel input.

MIC LEVEL



Mic Level Knob

Adjusts the microphone input level.

REV. SEND



Reverb Send Knob

Adjusts how much of the selected reverb will be mixed to the microphone channel.

05



Drum Volume

It activates the drum, adjusts the drum volume. And stops the drum when it tweaked to 0.



TAP Key

TAP TEMPO button, adjusts the drum speed. Hold the TAP key and use the Drum Vol knob to change the drumming style.

REVERB



Reverb Knob

Adjusts the selected Reverb effect level. Please check the Mighty APP for effects and controls.



Aux Input

1/8" Stereo jack auxillary input for external music player.

Functional Operation



Micro B USB

Input for firmware update.



Power Input

DC 12V Negative Tip.



Power Switch

ON/OFF Mighty8BT.

06

Battery Operation

If you're on the go, you can also operate the device with 8 AA batteries. We recommend using alkaline batteries. Maximum operation time is approx.8 hours.

To insert or change batteries, please remove the battery compartment cover by pulling the ribbon gently as shown in Figure 1. Be sure to observe the correct polarity, otherwise the device will not work or could be damaged as shown in Figure 2.

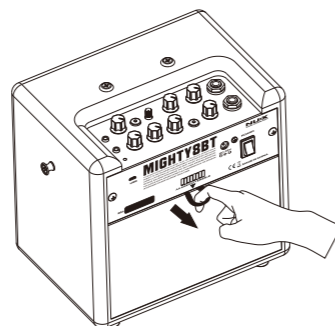


Figure 1

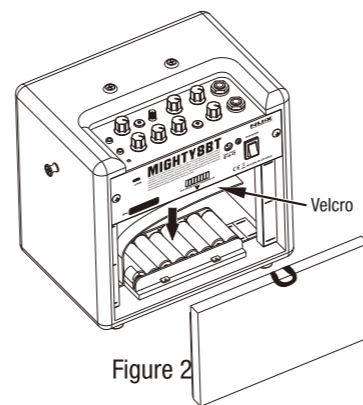


Figure 2

Specification

- Sampling Frequency: 44.1kHz
- A/D, D/A Convert: 24.bit
- Signal Processing: 32bit
- Input Level:
 - Guitar Channel -10dBu
 - Mic Channel -40dBu
 - AUX In -10dBu
- PHONES Output: 250mW + 250mW

- Speaker: 6.5inch X 1
- Rated Output Power: 8W
- Power Supply: DC 12 Power adapter; 8 AA batteries (Alkaline).
- Dimension: 240(L) x 166(W) x 220(H) mm
- Weight: 2.6Kg

Accessories: User manual, Adapter
*Specifications and appearance subject to change without notice.

CE mark for European Harmonized Standards

CE Mark which is attached to our company's products of Battery mains the product is in fully conformity with the harmonized standard(s) EN 61000-6-3:2007+A1:2011 & EN 61000-6-1:2007 Under the Council Directive 2004/108/EC on Electromagnetic Compatibility.

© 2019 Cherub Technology-All rights reserved. No part of this publication may be reproduced in any form without prior written permission of Cherub Technology.



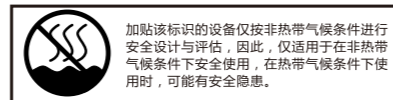
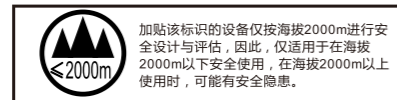
请注意！重要安全说明。
在连接使用前，阅读以下说明。

警告: 为减少火灾或触电的危险，请勿将本设备置于雨中或潮湿的地方。电池（电池包或组合电池）不得暴露在诸如日照、火烤或类似过热环境中。

注意: 为避免火灾或触电等危险，请勿擅自拆卸本产品。维修本产品内部部件对于非专业人员来说较为困难，若有损坏请交给专业维修人员处理。

注意: 本设备已经过测试，证明符合FCC规则第15部分的B级数字设备的限制规定。操作应符合以下两个条件：（1）本设备不会产生有害干扰，且（2）本设备必须接受任何干扰，包括可能会导致非正常操作的干扰。

1. 仅能使用与出厂附带规格相同的电源及电源线。如果您不确定可用的电源类型，请咨询您的经销商或当地的电力公司。
2. 设备不应遭受水滴或水溅，设备上不应放置诸如花瓶一类的装满液体的物品。
3. 请勿放置在热源附近，如散热器、电热器，或其它产生高热量的设备。
4. 如果电池更换不当会有爆炸危险，只能用同样类型或等效类型的电池来更换。
5. 打开或取下后盖板可能会产生触电或其它危险，请勿尝试自行维修本产品。如需维修，请联系我司售后热线，或交给专业的维修人员。
6. 当设备遭遇电源线或插头损坏、不明物体进入、进水等情况，请谨慎使用，并主动联系售后维修。
7. 如果长时间不使用本设备，应拔掉电源线。
8. 避免踩踏电源线，避免过度绷紧电源线。
9. 人耳长时间接收高音音量声音可能会导致无法挽回的听力损害，请始终保持“安全聆听”。



请遵守所有的指示和注意所有警告并保留这些说明！

目录

产品介绍.....	09
产品特点.....	09
控制面板.....	10
控制和旋钮.....	12
电池供电.....	15
技术规格.....	16

产品介绍

NUX Mighty8BT是NUX Mighty8SE的升级款，它继承了Mighty8SE优良的便携性及卓越的声学结构设计，新增的麦克风输入接口，蓝牙功能（配手机应用）及全面优化过的数字效果都使得它的综合素质及可玩性大大增强，实属广大吉他手居家必备之练琴神器。

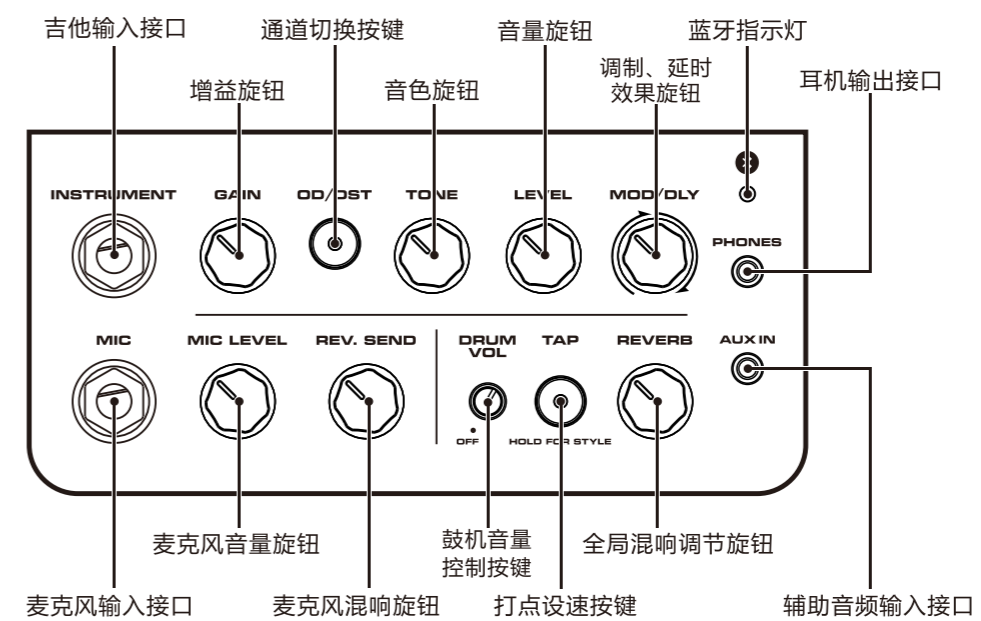
*下载Mighty Amp可体验到更多功能及音色，APP可在App Store苹果应用商店和Google Play应用商店下载。

09

产品特点

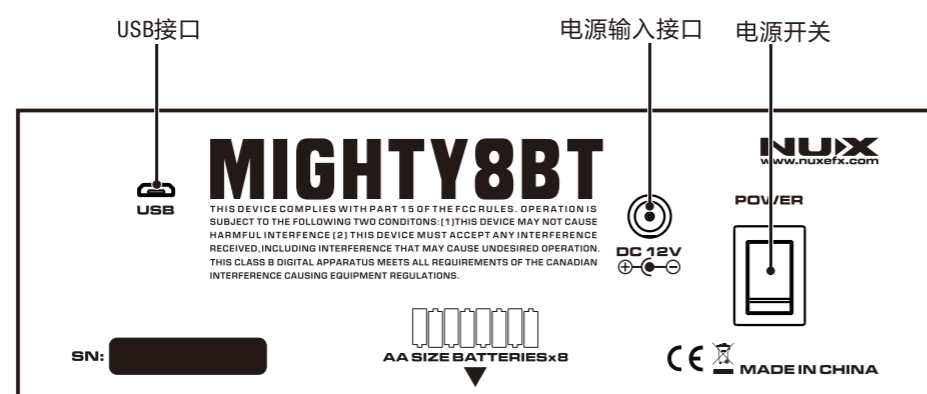
- 6.5寸扬声器，8瓦特额定输出功率。
- 丰富的输入、输出接口。
- 板载延时、调制及混响三种效果。
- 带打点设速功能且可独立调节鼓机音量。
- 蓝牙功能配免费功能拓展APP。
- 支持电池供电。

控制面板



10

控制面板



控制和旋钮

INSTRUMENT



吉他输入接口
6.35mm 吉他输入接口。

GAIN



增益旋钮
调节吉他输入信号增益强弱。

OD/DST



通道切换按键
使用此按键来切换通道，您可通过此按键的指示灯来判断当前通道：
绿色：清音通道
黄色：过载通道
红色：失真通道

STONE



音色旋钮
调节吉他音色明亮度。

LEVEL



音量旋钮
调节吉他通道整体音量大小。

MOD/DLY



调制、延时效果旋钮
初略调节调制、延时效果；
微调须下载安装配套APP。



蓝牙指示灯
未连接时此指示灯会保持闪烁；
蓝牙连接成功后指示灯会保持长亮。

控制和旋钮



耳机输出接口

3.5mm耳机输出接口。



麦克风输入接口

6.35mm麦克风输入接口。

MIC LEVEL



麦克风音量旋钮

调节麦克风音量。

REV. SEND



麦克风混响旋钮

人声混响效果调节旋钮。

13



鼓机音量控制旋钮

调节鼓机输出音量大小。



打点设速按键

快速设定鼓机节奏或延迟时间。



按住此按键同时旋转鼓机音量旋钮来切换鼓机风格。

REVERB



全局混响调节旋钮

调节全局混响效果。



辅助音频输入接口

3.5mm辅助音频输入接口。

控制和旋钮



USB接口

Micro-USB接口，用于固件升级。



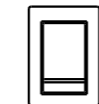
电源接口

连接随机附送的电源适配器。



电源开关

开关音箱。

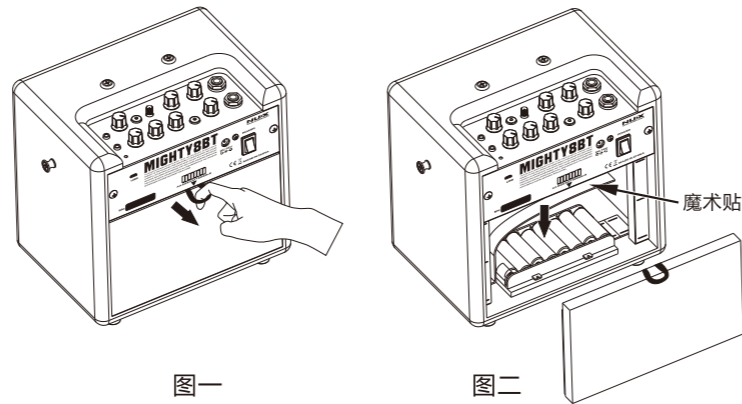


14

电池供电

MIGHTY8BT可以使用8节AA电池供电，建议使用碱性电池，使用电池供电MIGHTY8BT可以连续工作约8小时（视具体电池和输出功率而定）。

MIGHTY8BT安装电池时，先取下箱体后背板（如图一所示），然后拉开固定电池的魔术贴，将AA电池按照电池仓底所标示的极性方向放入（如图二所示），固定好魔术贴，盖上后背板。



图一

图二

注：当音量变低或音色改变时，说明电池电量变低，请及时更换电池。

技术规格

- 采样率: 44.1kHz
- AD/DA转换精度: 24bit
- DSP处理精度: 32bit
- 输入电平: 吉他通道 -10dbu
MIC通道 -40dbu
AUX IN输入 -10dbu
- 耳机输出: 250mW+250mW
- 喇叭尺寸: 6.5英寸×1
- 额定输出功率: 8W
- 电 源: DC 12V, 电源适配器或8节AA电池（推荐碱性电池）
- 电池使用时间: 约8小时（视具体电池和输出功率而定）
- 尺寸大小: 240(宽)x166(深)x220(高)mm
- 重 量: 2.6千克

附件：使用说明书、电源适配器、产品合格证。

*技术规格如有变更，恕不另行通知。

有关产品中所含有害物质的说明

本资料就本公司产品中所含的特定有害物质及其安全性予以说明。
本资料适用于2007年3月1日以后本公司所制造的产品。

环保使用期限



此标志适用于在中国国内销售的电子信息产品，表示环保使用期限的年数。所谓环保使用期限是指在制造日起的规定的期限内，产品中所含的有害物质不致引起环境污染，不会对人身、财产造成严重的不良影响。环保使用期限仅在遵照产品使用说明，正确使用产品的条件下才有效。不当的使用，将会导致有害物质泄漏的危险。

产品中有毒有害物质或元素的名称及含量

部件名称	有害有毒物质或元素					
	铅(Pb)	汞(Hg)	镉(Cd)	六价铬(Cr(VI))	多溴联苯(PBB)	多溴二苯醚(PBDE)
外壳(壳体)	×	○	○	○	○	○
电子部件(印刷电路板等)	×	○	×	○	○	○
附件(电源线、交流适配器等)	×	○	○	○	○	○

○：表示该有害有毒物质在该部件所有均质材料中的含量均在SJ/T11363-2006 标准规范的限量要求以下。
×：表示该有害有毒物质至少在该部件的某一均质材料中的含量超出SJ/T11363-2006 标准规定的限量要求。
因根据现有的技术水平，还没有什么物质能够代替它。

质量承诺

亲爱的**NUXX**用户，在您使用本产品时，请仔细阅读产品说明书，当您有疑问和困难时，请拨打售后服务热线：400-990-9866

- 一周内出现质量问题可退货退款
- 一月内出现质量问题可免费维修
- 一月内出现质量问题可调换
- 终身享有咨询和维修服务

* 请向销售商索取有效购买凭证并予以保存。

换修政策

一、包换政策：

- 消费者自购机之日起1个月之内，在正常使用情况下，出现非人为的产品性能故障，且产品外观及包装保持完好的可向所购机的经销商换机。
- 消费者在换机时应出示由经销商开出的购机收据及保修卡，否则经销商可以不予更换。

二、保修政策：

产品在购买之日起1年内，可免费享有维修服务；对于超过1年的产品及人为或不可抗力因素造成损坏的产品，我司可提供有偿维修服务。