



Version 1.0
User Manual

NUX
NUX Drum System

DM-7/DM-7X
Digital Drum Kit
电子鼓



DM-7/DM-7X
Digital Drum Kit

NUX Drum System
NUX

使用说明书

Version 1.0

USING THE UNIT SAFELY

INSTRUCTIONS FOR THE PREVENTION OF FIRE, ELECTRIC SHOCK, OR INJURY TO PERSONS

About ⚠️ WARNING and ⚠️ CAUTION Notices

⚠️ WARNING	Used for instructions intended to alert the user to the risk of death or severe injury should the unit be used improperly.
-------------------	--

About the Symbol

⚠️ CAUTION	Used for instructions intended to alert the user to the risk of injury or material damage should the unit be used improperly. * Material damage refers to damage or other adverse effects caused with respect to the home and all its furnishings, as well to domestic animals or pets.
-------------------	--

ALWAYS OBSERVE THE FOLLOWING

⚠️ WARNING

- Before using this unit, make sure to read the instructions below and the Owner's Manual.
- Do not open (or modify in any way) the unit or its AC adaptor.
- Do not attempt to repair the unit, or replace parts within it (except when this manual provides specific instructions directing you to do so). Refer all servicing to your retailer, the nearest Cherub Service Center.
- Never use or store the unit in places that are:
 - Subject to temperature extremes (e.g., direct sunlight in an enclosed vehicle, near a heating duct, on top of heat-generating equipment); or are
 - Damp (e.g., baths, washrooms, on wet floors); or Are
 - Humid; or Are
 - Exposed to rain; or Are
 - Dusty; or Are
 - Subject to high levels of vibration.
- This unit may be installed on a stand using a Clamp.
- When installing the unit on a stand with a clamp, the stand must not be placed in an unstable location or on an incline, but in a level and stable position. Even if a stand is not used, make sure that the unit is placed in a stable location.

⚠️ WARNING

- Be sure to use only the AC adaptor supplied with the unit. Also, make sure the line voltage at the installation matches the input voltage specified on the AC adaptor's body. Other AC adaptors may use a different polarity, or be designed for a different voltage, so their use could result in damage, malfunction, or electric shock.
- Do not excessively twist or bend the power cord, nor place heavy objects on it. Doing so can damage the cord, producing severed elements and short circuits. Damaged cords are fire and shock Hazards!
- This unit, either alone or in combination with an amplifier and headphones or speakers, may be capable of producing sound levels that could cause permanent hearing loss. Do not operate for a long period of time at a high volume level, or at a level that is uncomfortable. If you experience any hearing loss or ringing in the ears, you should immediately stop using the unit, and consult an Audiologist.
- Do not allow any objects (e.g., flammable material, coins, pins); or liquids of any kind (water, soft drinks, etc.) to penetrate the unit.

⚠️ WARNING

- Immediately turn the power off, remove the AC adaptor from the outlet, and request servicing by your retailer, the nearest Cherub Service Center.
- The AC adaptor or the power-supply cord has been damaged; or
- If smoke or an unusual odor occurs
- Objects have fallen into, or liquid has been spilled onto the unit; or
- The unit has been exposed to rain (or otherwise has become wet); or
- The unit does not appear to operate normally or exhibits a marked change in performance.

- In households with small children, an adult should provide supervision until the child is capable of following all the rules essential for the safe operation of the unit.

- Protect the unit from strong impact. (Do not drop it!)

- Do not force the unit's power-supply cord to share an outlet with an unreasonable number of other devices. Be especially careful when using extension cords—the total power used by all devices you have connected to the extension cord's outlet must never exceed the power rating (watts/amperes) for the extension cord. Excessive loads can cause the insulation on the cord to heat up and eventually melt through.

- Before using the unit in a foreign country, consult with your retailer, the nearest Cherub Service Center.

⚠️ CAUTION

- The unit and the AC adaptor should be located so their location or position does not interfere with their proper ventilation.
- Always grasp only the output plug or the body of the AC adaptor when plugging into, or unplugging from, this unit or an outlet.
- Any accumulation of dust between the AC adaptor and the power outlet can result in poor insulation and lead to fire. Periodically wipe away such dust with a dry cloth. Also, disconnect the power plug from the power outlet whenever the unit is to remain unused for an extended period of time.
- Try to prevent cords and cables from becoming entangled. Also, all cords and cables should be placed so they are out of the reach of children.
- Never climb on top of, nor place heavy objects on the unit.
- Never handle the AC adaptor body, or its output plugs, with wet hands when plugging into, or unplugging from, an outlet or this unit.
- If you need to move the instrument, take note of the precautions listed below. Make sure to have a firm grip, to protect yourself from injury and the instrument from damage.
 - Check to make sure that the clamp that fixes the unit to the stand has not become loose. Fasten them again securely whenever you notice any loosening.
 - Disconnect the power cord.
 - Disconnect all cords coming from external devices.
- Before cleaning the unit, turn off the power and unplug the AC adaptor from the outlet.
- Whenever you suspect the possibility of lightning in your area, disconnect the AC adaptor from the outlet.
- Should you remove security screws, make sure to put them in a safe place out of children's reach, so there is no chance of them being swallowed accidentally.

Catalog

CONTROL PANEL.....	02
Top Panel.....	02
INTERFACE PANEL.....	03
CONNECTING AUDIO EQUIPMENT.....	04
Connecting Digital Drums.....	05
About Screen.....	06
Ready To Play.....	07
TURN ON/OFF THE POWER.....	07
HOW YOU CAN PLAY ON DM-7/DM-7X.....	08
Drum Kit Operation.....	10
Selecting a Drum Kit.....	10
Setting the Drum Kit.....	10
Setting the Drum Pad.....	10
Setting the Drum Pad Panning.....	10
One Knob Effect.....	11
Edit The Drum Kit Name.....	11
DEMO song function operation.....	12
Recording function.....	13
COACH function.....	14
Accents.....	14
Time Check.....	15
Quit Count.....	15
Change Up.....	16
System Menu Function.....	17
Hihat Setting.....	17
Trigger.....	17
Midi Note.....	18
Click.....	18
Factory Reset.....	19
Option.....	19
USD-MIDI.....	19
Drum group tone editing.....	20
Midi Table.....	21
Technical Specifications.....	21

Control Panel

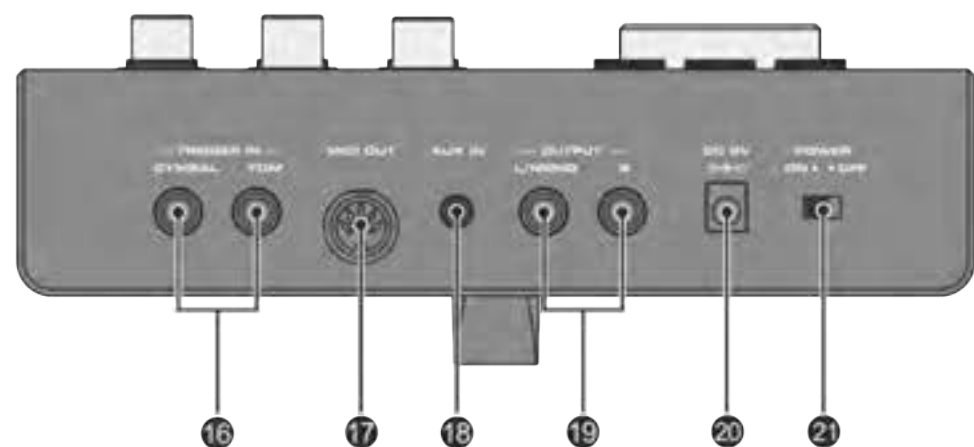
Top Panel



- 1. Display screen**
Display operation information.
- 2. Display operation button**
Display operation button, Operate by the display.
- 3. Drum kit switch knob**
Switch drum kit.
- 4. Tempo knob**
Tempo setting.
- 5. Song select knob**
Built-in demo song selection.
- 6. Effect knob**
Built-in 4 effects (overdrive, compressor, reverb, tune) knob.
- 7. Instrument knob**
Adjust drum pad parameters.
- 8. Volume knob**
Master volume.
- 9. ENTER/KNCK/SNARE button**
Quickly select the corresponding drum button, ENTER is the Operation confirmation button.
- 10. TOMS/CYMBALS button**
Quickly select the corresponding drum button.
- 11. REC recording button**
Quickly enter to recording function.
- 12. CLICK Metronome button**
Quickly enter to Metronome function.
- 13. PLAY/STOP button**
Play / stop the demo song.
- 14. DRUM OFF button**
Turn on/ mute the drum track from demo song.
- 15. USB interface**
Connecting DM-7/DM-7X with computer.

Control Panel

Interface panel



16. Trigger in interface

Expand tom/cymbal.

17. MIDI out interface

MIDI output interface.

18. AUX IN interface

Connect an external audio device.

19. Output interface (L/MONO, R)

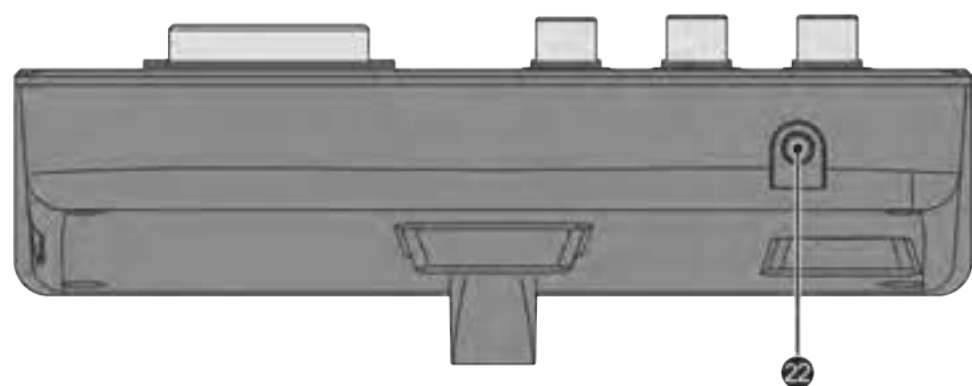
Connect DM-7/DM-7X with PA system or AMP. If you use mono, pls connect L/MONO.

20. DC 9V interface

Connect the power adapter.

21. POWER

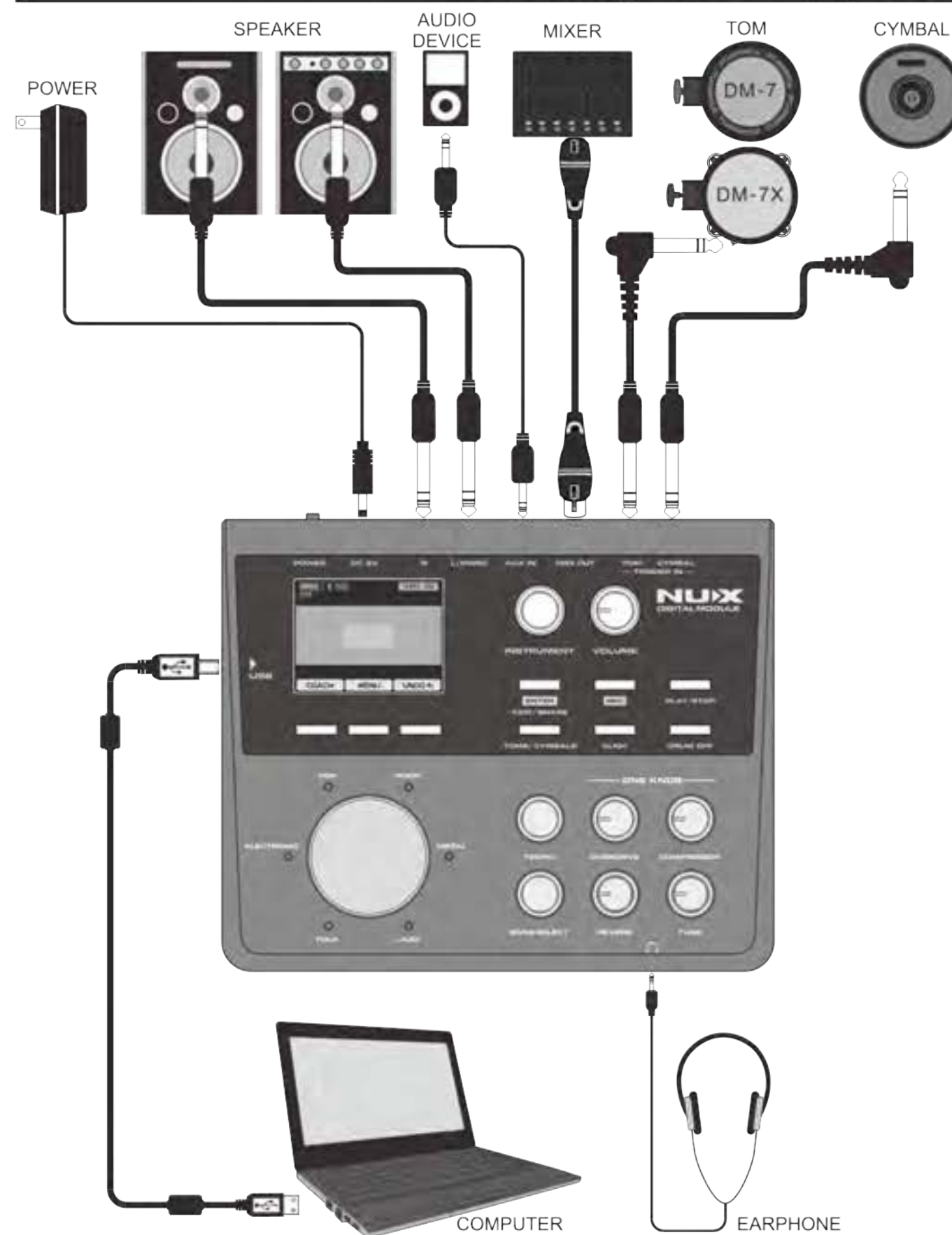
DM-7/DM-7X ON/OFF button.



22. PHONE interface

Earphone interface.

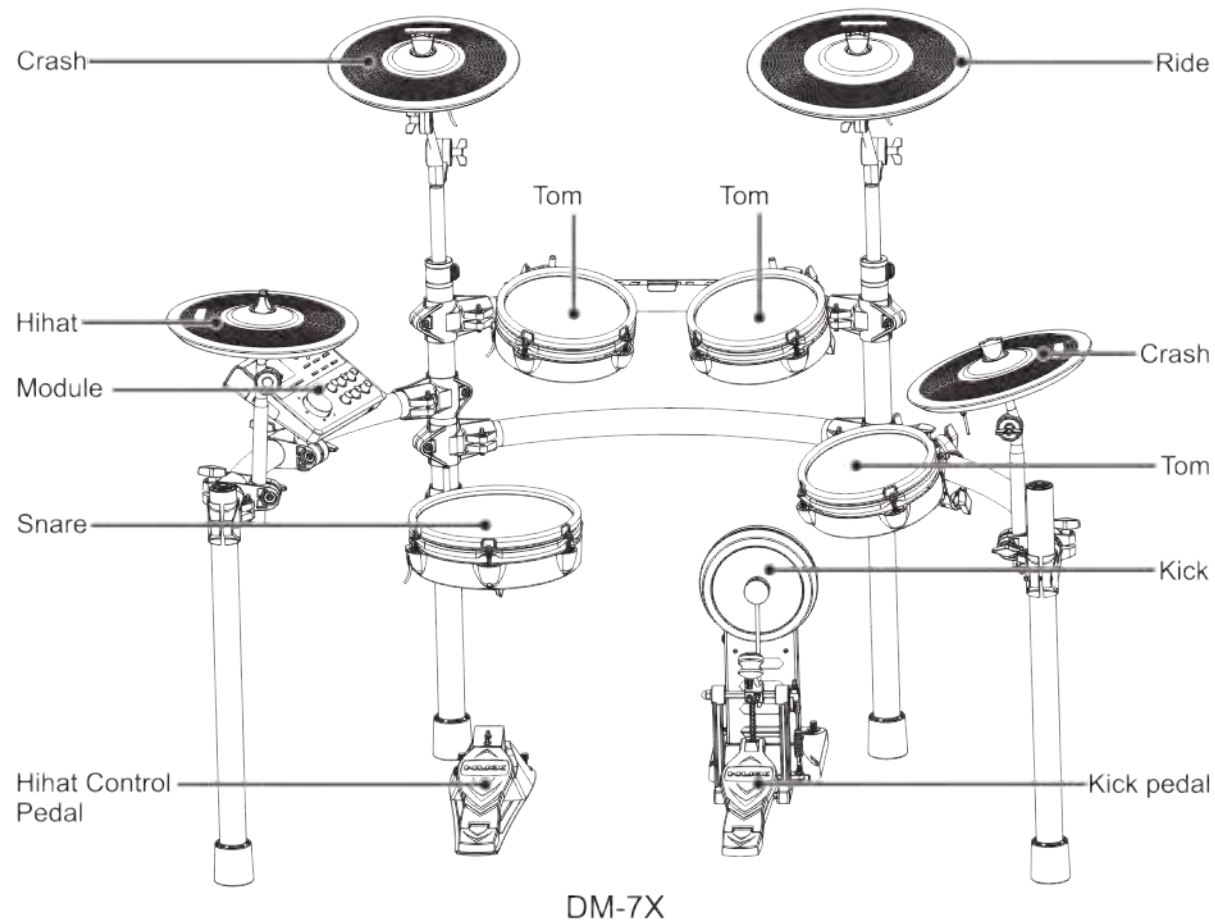
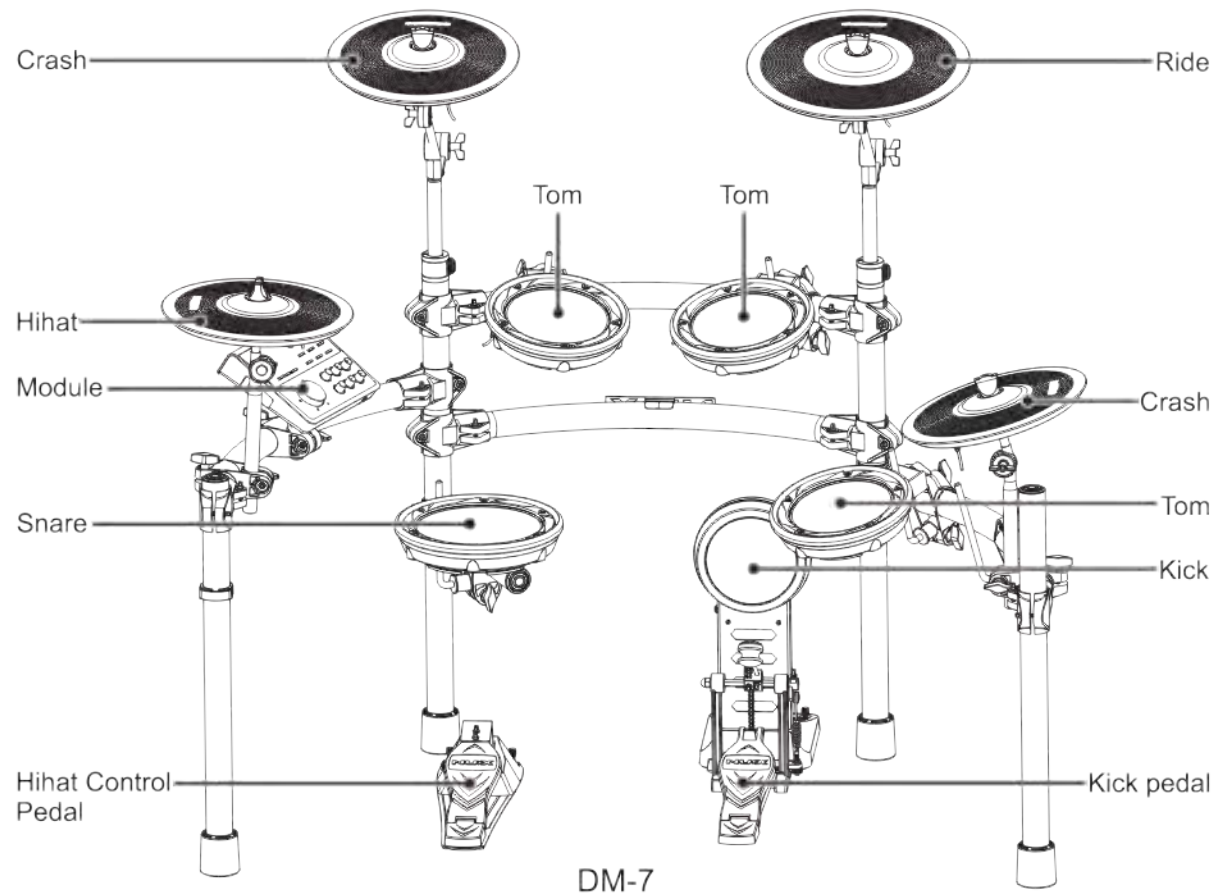
Connecting Audio Equipment



WARNING:

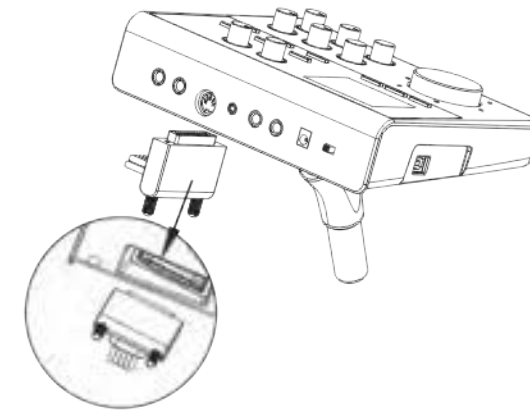
To prevent equipment damage, pls turn down the volume before turn on DM-7/DM-7X or connect it to other driver.

Connecting Digital Drums



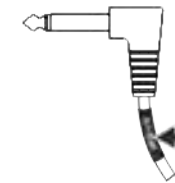
Connecting Digital Drums

1. Connect the cable to the module.

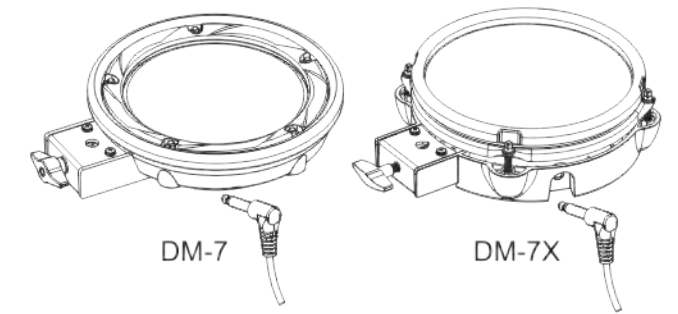


2. Connect the drum and the cymbal

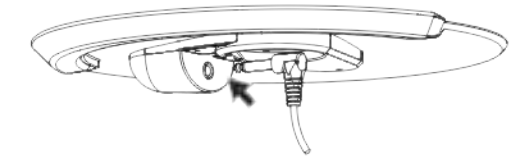
The label on the cable indicates the name of the connected pad or pedal, as the picture shows.



Connect the drum pad:

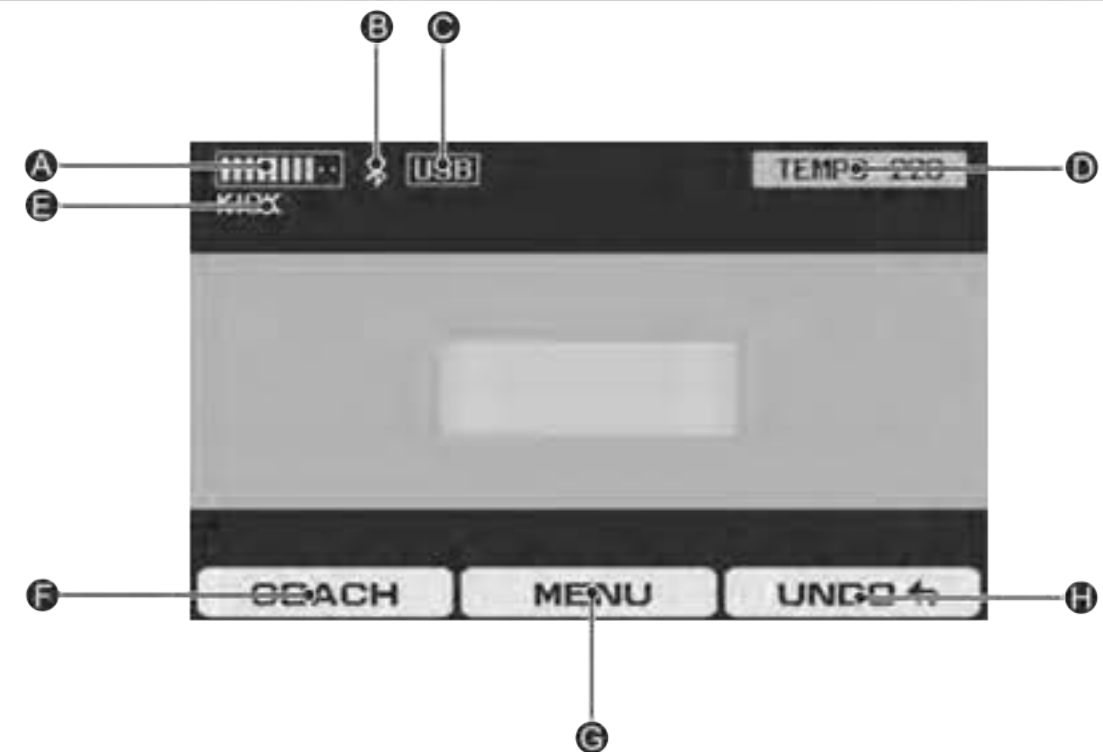


Connect the cymbals:



Note: To prevent equipment malfunction or damage, turn down the volume and turn off the power of the device when connecting the device.

About Screen



Turn on/off the power

* Turn on the power

1. Turn down the master volume.
2. Turn down the speaker's volume.
3. Turn on the power.



* When you turning on the power, you may hear a faint sound, this in normal.

4. Hit the drum pad and cymbal pad, tune the volume.

* Turn off the power

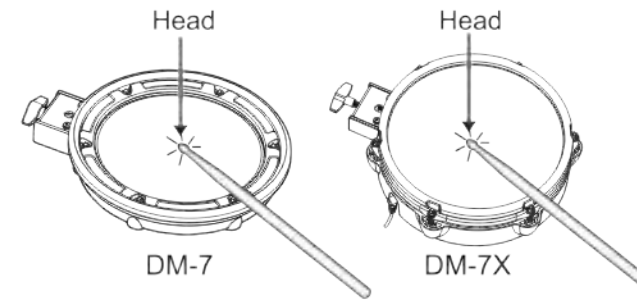
1. Turn down the speaker's volume.
2. Turn off the power of external connection device.
3. Turn off the DM-7/DM-7X.



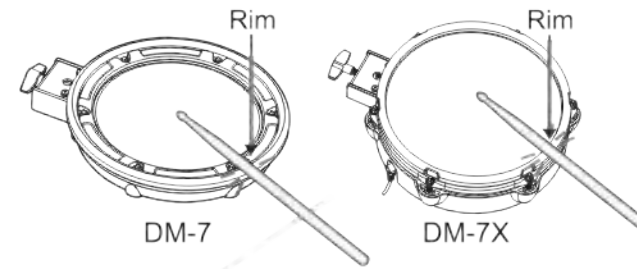
How you can play on DM-7

* Snare

Head shot

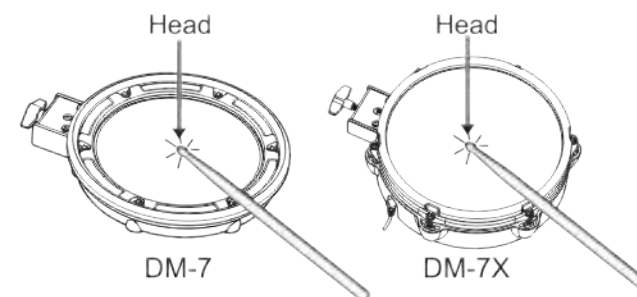


Open rim shot

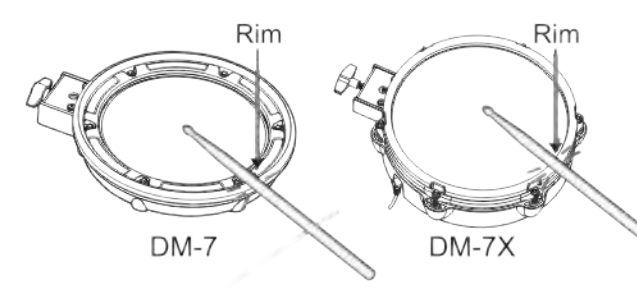


* Tom

Head shot

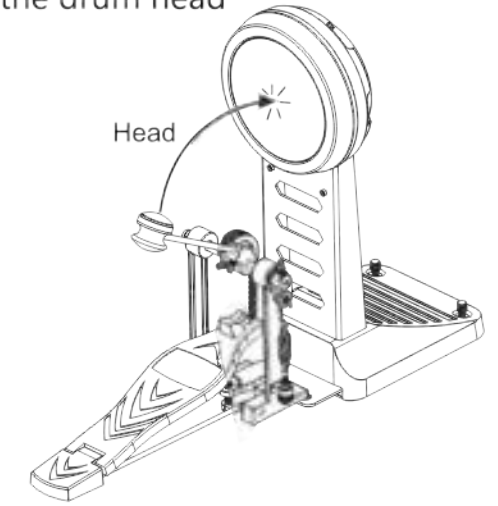


Open rim shot



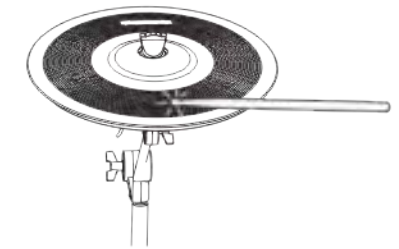
* Kick

Hit the drum head

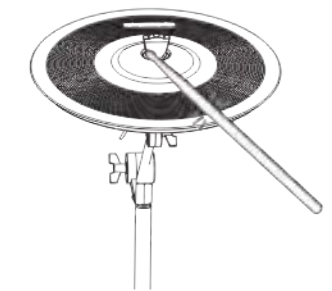


* Crash

Bow shot

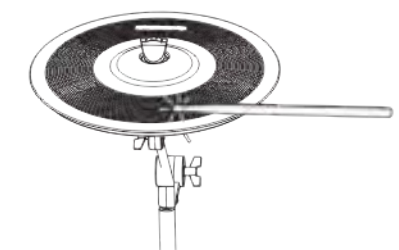


Edge shot



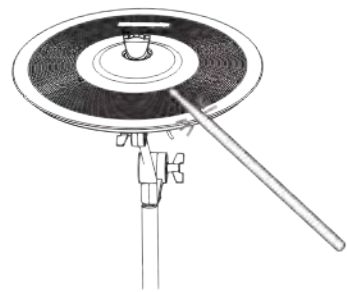
* Ride

Bow shot

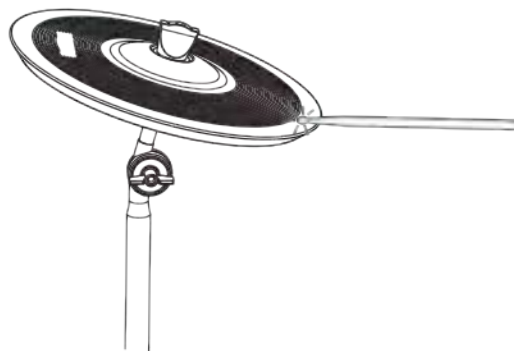


Ready to Play

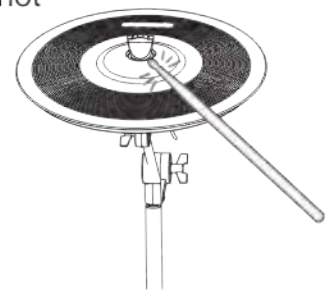
Edge shot



Edge shot

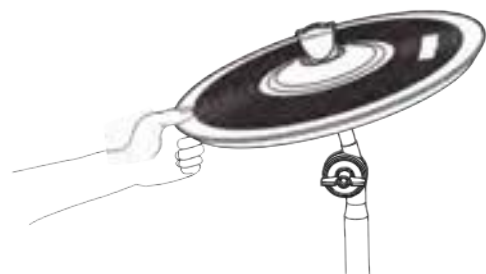


Bell shot



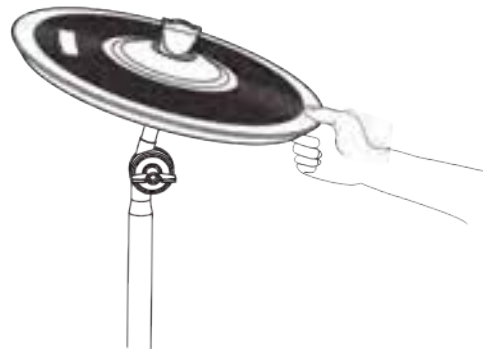
Choking a cymbal

Choking the cymbal's edge with a hand immediately after hitting the cymbal will mute or choke the sound. Just like with a real cymbal . the choke function only works when you grasp in the area.

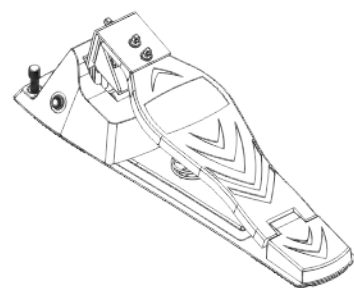


Choking a cymbal

Choking the cymbal's edge with a hand immediately after hitting the cymbal will mute or choke the sound. Just like with a real cymbal . the choke function only works when you grasp in the area.



*Hi-hat control pedal



Open hi-hat

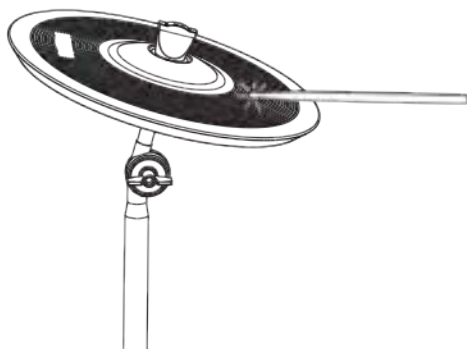
Strike the hi-hat without pressing the pedal.

Closed hi-hat

Strike the hi-hat with the pedal pressed.

*Hihat

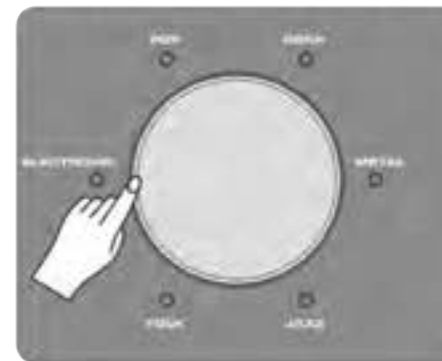
Bow shot



Drum Kit Operation

Selecting a Drum Kit

1. Use the dial to select the Drum kit style, press the dial to confirm the style to the indicator flashing, and turn the dial again to select the style inner drum.



2. Turn the dial to enter the Drum kit mode in any mode.

Setting the Drum Kit

1. Use the dial to select the drum set you want to edit.
2. Use any button as below pic to enter edit mode.



3. Hit any drum pad to select the mat to edit (or you can just press KICK/SNARE, TOMS/CYMBALS) to select.



Setting the Drum Pad

1. In the drum setting mode, select the pad you need to edit and enter the drum setting mode.



2. Press the display button to select the parameter you want to edit.
3. Use the INSTRUMENT knob to adjust the parameters.
4. Switch any interface to automatically save parameters.

Parameter comparison table

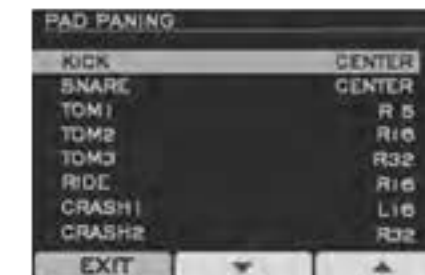
Parameter	Adjustment range	Parameter description
Instrument		Select current drum pad sound
Tuning	-32-0-+32	Adjust the current pad tone
Level	0 - 127	Adjust the current pad volume

Setting the Drum Pad Panning

1. Click the MENU button on the main.



2. Use the up and down keys to select PAD PANNING and press ENTER to enter.



3. Use the up and down keys to select an adjustment item and the INSTRUMENT knob to adjust the parameters.

Drum Kit Operation

One Knob Effect

The DM-7/DM-7X's unique One knob effect adjustment feature makes it easy to adjust individual effects instantly. Just rotate each effect knob.



Parameter comparison table

Parameter	Adjustment range	Parameter description
Overdrive	Adjust the intensity according to the brightness of the indicator light	Adjust overdrive
Compressor	Adjust the intensity according to the brightness of the indicator light	Adjust compressor
Reverb	Adjust the intensity according to the brightness of the indicator light	Adjust reverb
Tune	Adjust the intensity according to the brightness of the indicator light	Adjust tune

Edit The Drum Kit Name

1. Select KIT NAME SET under the MENU, press ENTER to enter the editing interface



2. Use the INSTRUMENT knob to select a character and press the left or right button to select the character you want to edit. (optional characters: A~Z, 0~9)



3. After the modification is completed, press EXIT to exit and save automatically.

Note: Modify the drum kit name to the drum group displayed on the current main interface, so first determine the drum kit to be modified in the main interface, and then enter the menu to modify the drum kit name.

DEMO song function operation

In the Drum kit mode, turn the SONE SELECT knob to enter the demo mode.



Note: PRESET represents the built-in demo. User represents the user's recording.

1. Press PLAY/STOP to play or pause the track.



2. Press the DRUM OFF button to turn the drum sound in the demo song on or off.



Note: Press the PLAY/STOP button on the DRUM KIT interface to play the demo song. The played track is selected in the song select interface.

2. After entering, adjust the parameters by using the up and down keys and the INSTRUMENT knob.



Parameter comparison table

Parameter	Adjustment range	Parameter description
Drum Off	Drum On-Drum Off	Drums in DEMO are turned on/off
Cycle play	On-Off	Loop playback on/off
Back volume	0 -127	Background music VOL adjustment
Drum volume	0 -127	Drum VOL adjustment

Note: When exiting this mode, the parameters are automatically saved (except for the DRUM OFF parameter).

SONG Setting operation

1. Press MENU on the DRUM KIT interface to enter the menu, press the up or down button to select the character you want to edit, press ENTER to enter the editing interface.



Recording function

1. Press the REC button on the panel to enter the recording interface, tap any drum, and the recording starts.



2. During recording, press the Pause button to pause recording, pause and press the Record button to continue recording.



3. During recording, if you stop playing in 3 seconds, the recording is terminated, or the stop button is pressed directly to terminate the recording. After termination, press the play button to listen to this recording.



COACH function

1. On the DRUM KIT table, click on COACH to enter the coaching function.



2. Use the up and down keys to select the function you want to practice and press ENTER to enter.

ACCENTS

In this mode, you can practice the accent transfer.

1. Enter this mode, after the automatic four-shot preparation, the practice begins.



2. After finishing the exercise, automatically enter the score interface to score this exercise. (Press START to start the exercise again)



3. Click SETUP to enter the setting interface, press the up and down keys to select the item you want to set, and adjust the parameters by using the INSTRUMENT knob.



Parameter comparison table

Parameter	Adjustment range	Parameter description
Rhythm Shift	8 th /Triplet/16 th	Accent type switching
Sound	FULL/4 th /ACCENT/QUEIT	Sound switching
Score	OFF/4bar/8bar/16bar/32bar	Scoring mode switching

4. Click CLICK to enter the metronome setting interface, press the up and down keys to select the parameter you want to adjust, and adjust it by using the INSTRUMENT knob.



Parameter comparison table

Parameter	Adjustment range	Parameter description
Tempo	40-240	Speed adjustment
Sound	1/2/3/4	Tone adjustment
Volume	0-127	Volume adjustment
Pan	L64-CENTER-R63	Panning adjustment

COACH function

Time Check

In this mode, you can train your hit accuracy.

1. Enter this mode, after the automatic four-shot preparation, the practice begins.



2. After finishing the exercise, automatically enter the score interface to score this exercise. (Press START to start the exercise again)



3. Click SETUP to enter the setting interface, press the up and down keys to select the item you want to set, and adjust the parameters by using the INSTRUMENT knob.



Parameter comparison table

Parameter	Adjustment range	Parameter description
Score	OFF/4BAR/8BAR/16BAR/32BAR	Scoring mode switching
Display1	KICK/SNARE/TOMS/RIDE/CYMS/HiHAT	Test position 1
Display2	KICK/SNARE/TOMS/RIDE/CYMS/HiHAT	Test position 2
Gauge	LEFT AHEAD/ LEFT BEHIND	Measurement mode switching

4. Press the CLICK button to enter the metronome setting interface, press the up and down keys to select the parameter you want to adjust, and adjust it by using the INSTRUMENT knob.



Parameter comparison table

Parameter	Adjustment range	Parameter description
Tempo	40-240	Speed adjustment
Beat	1-9	Beat adjustment
Rhythm	Triplet/4th/8th/16th	Note switching
Sound	1/2/3/4	Metronome tone type
Volume	0-127	Metronome VOL switching
Pan	L64 - CENTER - R63	Metronome panning switching

QUIT COUNT

In this mode, you can train the sense of time, and the metronome will alternate between 'sound and mute'.

1. Enter this mode, start the practice after the automatic four-shot preparation.



2. The metronome is muted when practicing to silent shooting.



COACH function

Change Up

In this mode, you can train your performance speed accuracy for different notes at the same time value.

1. Enter this mode, start the practice after the automatic four-shot preparation.



2. This mode does not set a score, click SETUP to enter the setting interface, use the up and down keys to select the item you want to set, and adjust the parameters with the INSTRUMENT knob.



Parameter comparison table

Parameter	Adjustment range	Parameter description
Duration	5/10/15/20 MINS	Practice time
Change-Up	16th/5/6	Note adjustment
Measures	1/2/4/8	Beat number adjustment

3. Automatically score after each session is completed and continue to practice.



4. Click the SETUP button to enter the setting interface, press the up and down keys to select the item you want to set, and adjust the parameters by using the INSTRUMENT knob.



Parameter comparison table

Parameter	Adjustment range	Parameter description
Measures	4/8/12/16	Number of beats per measure
Quit	1/2/4/8	Silent beat

5. Click the CLICK button to enter the metronome setting interface, press the up and down keys to select the parameter you want to adjust, and use the INSTRUMENT knob to adjust.



Parameter comparison table

Parameter	Adjustment range	Parameter description
Tempo	40-240	Speed adjustment
Beat	1-9	Beat adjustment
Rhythm	Triplet/4th/8th/16th	Note switching
Sound	1/2/3/4	Metronome tone type
Volume	0-127	Metronome VOL switching
Pan	L64-CENTER-R63	Metronome panning switching



Parameter comparison table

Parameter	Adjustment range	Parameter description
Tempo	40-240	Speed adjustment
Beat	1-9	Beat adjustment
Sound	1/2/3/4	Metronome tone type
Volume	0-127	Metronome VOL switching
Pan	L64-CENTER-R63	Metronome panning switching

System Menu Funtion

Click the MENU button on the main interface to enter the menu, and use the up and down keys to select the item you want to set, press ENTER to enter



HiHat Setting

Select the HIHAT SETTING item and press the ENTER key to enter. This interface is used to adjust the hi-hat system value.



Adjust the value with the INSTRUMENT knob.
HH VOLUME Hi-hat volume adjustment
Range: 0 – 126

HH OPEN VAL (opening hihat range adjustment)
Range: 70 – 126

HH CLOSE VAL(closing hihat range adjustment)
Range: 1-60

Trigger

1. In the MENU screen, select TRIGGER and press ENTER to enter.
2. Hit the pad and select the pad you want to set.
3. Use the up and down keys to select the parameter you want to adjust, use The INSTRUMENT knob adjusts.



*The higher the sensitivity, the louder the sound even if the pad is tapped lightly. The lower the sensitivity, the smaller the volume will be when you hit the pad with force. Try and adjust the sensitivity that suits your habits.

Parameter comparison table

Parameter	Adjustment range	Parameter description
SENSITIVITY	0.1 – 3.2	Adjust the drum sensitivity, the higher the sensitivity, the louder sound will be produced even if the pad is tapped lightly. The lower the sensitivity, the smaller the volume will be produced even if you tap hard. Try and adjust the sensitivity that suits your combat habits.
THRESHOLD	0 – 16	Adjust the trigger level of the drum. As shown on the right, the B waveform will sound and the A and C waveforms will not occur. Note: If the value you set is too high, a light blow will not sound.
SCANTIME	1MS-8MS	Adjust the detection time of the trigger signal. When setting, try a soft and powerful blow and confirm the natural change in volume. Note: If the value you set is too high, the sounding time will be lengthened. Please set as low as possible.
MASKTME	4MS-64MS	Adjust the masking time of the trigger signal. Note: When playing fast, too high values may mask the trigger signal, so lower the value as much as possible.

System Menu Funtion

Parameter comparison table

Parameter	Adjustment range	Parameter description
KICK	OFF, 0 - 127	Adjust the kick drum output midi code
SNARE	OFF, 0 - 127	Adjust the snare drum output midi code
SNARE RIM	OFF, 0 - 127	Adjust the snare rim output midi code
TOM1	OFF, 0 - 127	Adjust the tom1 output midi code
TOM1 RIM	OFF, 0 - 127	Adjust the tom1 rim output midi code
TOM2	OFF, 0 - 127	Adjust the tom2 output midi code
TOM2 RIM	OFF, 0 - 127	Adjust the tom2 rim output midi code
TOM3	OFF, 0 - 127	Adjust the tom3 output midi code
TOM3 RIM	OFF, 0 - 127	Adjust the tom3 rim output midi code
RIDE BOW	OFF, 0 - 127	Adjust the ride bow output midi code
RIDE EDGE	OFF, 0 - 127	Adjust the ride edge output midi code
RIDE BELL	OFF, 0 - 127	Adjust the ride bell output midi code
CRASH1 BOW	OFF, 0 - 127	Adjust the crash1 bow output midi code
CRASH1 EDGE	OFF, 0 - 127	Adjust the crash1 edge output midi code
CRASH2 BOW	OFF, 0 - 127	Adjust the crash2 bow output midi code
CRASH2 EDGE	OFF, 0 - 127	Adjust the crash2 edge output midi code
HH OPEN BOW	OFF, 0 - 127	Adjust the open hihat bow output midi code
HH OPEN EDGE	OFF, 0 - 127	Adjust the open hihat edge output midi code
HH CLOSE BOW	OFF, 0 - 127	Adjust the close hihat bow output midi code
HH CLOSE EDGE	OFF, 0 - 127	Adjust the close hihat edge output midi code
HH PEDAL	OFF, 0 - 127	Adjust the hihat control output midi code
TOM4	OFF, 0 - 127	Adjust the tom4 output midi code
TOM4 RIM	OFF, 0 - 127	Adjust the tom4 rim output midi code

Note: When you exit this mode, the parameters are automatically saved.

Click

1. Select the CLICK item in the MENU interface and press ENTER to enter
2. Use the up and down keys to select the parameter you want to adjust, adjust the value using the INSTRUMENT knob



Parameter comparison table

Parameter	Adjustment range	Parameter description
Tempo	40-240	Speed adjustment
Beat	1-9	Beat adjustment
Rhythm	Triplet/4th/8th/16th	Note switching
Sound	1/2/3/4	Metronome tone type
Volume	0-127	Metronome VOL switching
Pan	L64-CENTER-R63	Metronome panning switching

Note: When you exit this mode, the parameters are automatically saved.

RETRIG CANCEL	0-16	Adjust the repeat trigger value of the trigger signal. Note: If the value is set too high, some hit signals may be ignored due to the small force of the strike. Therefore, set the minimum value as much as possible without repeated triggering.
XTALK CANCEL	0%-80%	Adjust the crosstalk value. When hit, some drums that are not hit are also triggered to sound, improving the XTALK CANCEL of the drum that is being audible. Note: If the value is set too high and the strike is at the same time, the drum with a small striking force may not be triggered. Therefore, the value is set as small as possible without crosstalk.
CURVE	LINEAR/EXP/LOG/LOUD	
RIM GAIN	0.1-3.2	Adjust the edge hit gain to be effective only for the drum rim and the cymbals edge.
HEAD RIM ADJUST	0.1-3.0	When you hit the rim or the side, the tone will be worse than you want, you can improve this by adjusting RIM ADJUST. If the value is set too low, you will not be able to play it.

Note: The parameter will be saved automatically when exiting this mode.

Midi Note

Set the MIDI code output corresponding to the pad, OFF means no output

1. In the MENU interface, select MIDI NOTE and press ENTER enter.



2. Use the up and down keys to select the parameter you want to adjust, use the INSTRUMENT knob to adjust the value.



System Menu Funtion

Factory Reset

1. In the MENU screen, select FACTORY RESET and press ENTER to enter.
2. Use the up and down keys to select the parameter you want to adjust and press ENTER to enter the setting.



Parameter comparison table

Parameter	Interface content	Parameter description
RESET CURRENT KT		Restore all current parameters of this drum kit to the factory settings.
RESET ALL KT		Restore all parameters of all drum kits to factory settings.
RESET SYSTEM		Restore the source system version content to the factory settings.
RESET ALL		Restore all content values to factory settings. (one click recovery)

Option

1. In the MENU screen, select OPTION and press ENTER to enter.
2. Use the up and down keys to select the parameter you want to adjust, use the INSTRUMENT knob to adjust the value.



Parameter comparison table

Parameter	Adjustment range	Description
TFT BRIGHTNESS	0-10	Screen brightness adjustment
MIDI OUT CHANNEL	1-16	Midi signal channel selection
SYSTEM INFORMATION		System version information

USD-MIDI

Use the USB MIDI cable to connect the drum machine USB port to the computer's USB port. After the connection is successful, the USB icon on the screen will light. After the connection is successful, the unit responds to the MIDI signal transmitted from the computer and sends a MIDI signal to the computer.



Drum Group Tone Editing

Style	Full Name
POP	Standard
	Original
	Vintage
	Studio
	Stage
	POP06
	POP07
	POP08
ROCK	Standard
	Stage
	Original
	Studio
	Vintage
	ROCK06
	ROCK07
	ROCK08
METAL	Heavy
	Blast
	90s
	Diabolic
	Progressive
	METAL06
	METAL07
	METAL08
JAZZ	Standard
	Original
	Live
	Swing
	Modern
	JAZZ06
	JAZZ07
	JAZZ08
FOLK	Jing-Opera
	Bangor
	Latin
	Conga
	Africa
	FOLK06
	FOLK07
	FOLK08
ELECTRONIC	Standard
	Morden Machine
	Ambience
	Dubstep
	Stage
	ELECT06
	ELECT07
	ELECT08

Note: Groups 1-5 of each style are preset drum kits, Group 6-8 of each styles are custom drum kits.

Midi Table

Function	Transmitted	Recognized	Remarked	
Basic default	10	1-16		
Channel changed	No	No		
Note	0-127	0-127		
Velocity:	Note on	Yes	Yes	
	Note off	No	Yes	
After key's	No	Yes		
Touch Channel's	No	Yes		
Control Change:	0	No	No	Bank select
	1	No	Yes	Modulation
	5	No	Yes	Portamento time
	7	No	Yes	Volume
	10	No	Yes	Pan
	11	No	Yes	Expression
	64	No	Yes	Sustain pedal
	65	No	Yes	Portamento on/off
	66	No	Yes	Sostenuto pedal
	67	No	Yes	Soft pedal
	120	No	Yes	All sound off
Program Change:	121	No	Yes	Reset all controllers
	123	No	Yes	All note off
		No	Yes	Yes
System exclusive	No	No	No	

Technical Specifications

Polyphony :108

Display :TFT LCD color screen

Voice :30 sets of sounds

Drum Kit :48 sets of drum sets (30 sets of preset drum sets, 18 sets of user drum sets)

Demo song : 20 demo songs

Recording : 10 sets of recordings

C L I C K : Editable metronome tone, number of beats, rhythm, speed, volume Trigger : MIDI function:USB MIDI, automatic computer recognition 3 TOM (dual trigger), 1 SNARE (dual trigger), 1 HIHAT (dual trigger), 1 CRASH (dual trigger), 1 RIDE (three trigger), 1 KICK (single trigger)

Interface :Headphone jack, power connector, OUTPUT, AUX IN, MIDI OUT, TRIGGER IN (CYMBAL/TOM)

Power :DC 9V

*Technical specifications are subject to change without notice.

FCC ID: 2A0AA-DM-7

FCC WARNING:

This device complies with part 15 of the FCC Rules. Operation is subject to the following two conditions: (1) this device may not cause harmful interference, and (2) this device must accept any interference received, including interference that may cause undesired operation. Any changes or modifications not expressly approved by the party responsible for compliance could void the user's authority to operate the equipment.

NOTE: This equipment has been tested and found to comply with the limits for a Class B digital device, pursuant to Part 15 of the FCC Rules. These limits are designed to provide reasonable protection against harmful interference in a residential installation. This equipment generates, uses and can radiate radio frequency energy and, if not installed and used in accordance with the instructions, may cause harmful interference to radio communications. However, there is no guarantee that interference will not occur in a particular installation.

If this equipment does cause harmful interference to radio or television reception, which can be determined by turning the equipment off and on, the user is encouraged to try to correct the interference by one or more of the following measures:

- Reorient or relocate the receiving antenna.
- Increase the separation between the equipment and receiver.
- Connect the equipment into an outlet on a circuit different from that to which the receiver is connected.
- Consult the dealer or an experienced radio/TV technician for help.

To maintain compliance with FCC's RF Exposure guidelines, This equipment should be installed and operated with minimum distance between 20cm the radiator your body: Use only the supplied antenna.

© Cherub Technology Co., Ltd.

All Rights Reserved. No part of this publication may be reproduced, stored in a retrieval system, or transmitted, in any form or by any means, electronic, mechanical, photocopying, recording, or otherwise, without the prior written permission of Cherub Technology Co., Ltd.



Made in China