

210.00 mm

130.00 mm

**NUX**

**AC-25**

Portable Battery-Operated Acoustic Amp  
User Manual



## **FCC WARNING**

This device complies with part 15 of the FCC Rules. Operation is subject to the following two conditions: (1) this device may not cause harmful interference, and (2) this device must accept any interference received, including interference that may cause undesired operation.

Any changes or modifications not expressly approved by the party responsible for compliance could void the user's authority to operate the equipment.

NOTE: This equipment has been tested and found to comply with the limits for a Class B digital device, pursuant to Part 15 of the FCC Rules.

These limits are designed to provide reasonable protection against harmful interference in a residential installation. This equipment generates, uses and can radiate radio frequency energy and, if not installed and used in accordance with the instructions, may cause harmful interference to radio communications. However, there is no guarantee that interference will not occur in a particular installation.

If this equipment does cause harmful interference to radio or television reception, which can be determined by turning the equipment off and on, the user is encouraged to try to correct the interference by one or more of the following measures:

-Reorient or relocate the receiving antenna.

-Increase the separation between the equipment and receiver.

-Connect the equipment into an outlet on a circuit different from that to which the receiver is connected.

-Consult the dealer or an experienced radio/TV technician for help.

## **FCC RF exposure statement:**

The device has been evaluated to meet general RF exposure requirement. The device can be used in portable exposure condition without restriction.

## **Introduction**

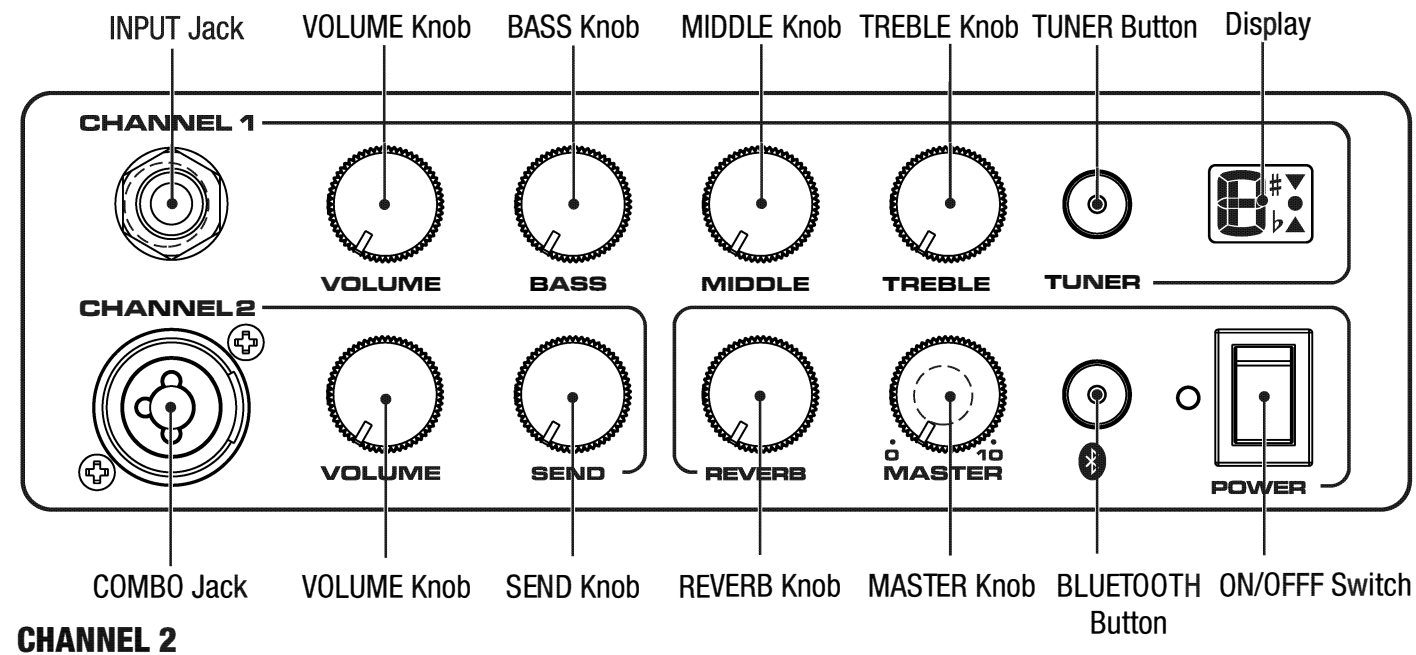
The NUX AC-25 is a portable battery-operated amplifier optimized for acoustic-electric guitars. It features 2 channels with separate controls, Bluetooth connectivity, onboard tuner and a dedicated tone editing app. Where there is AC-25 there is music.

## **Features**

- 2 channels with separate controls
- Onboard Reverb Effects & Tuner
- Up to 4 hours of continuous playing time
- Bluetooth Connectivity for audio streaming and tone editing
- Well-planed controls & I/O

## Control Panels

### CHANNEL 1



01

## Control Panels

### Channel 1

#### INPUT Jack

¼" (6.35mm) INPUT Jack, accept both passive and active acoustic pickups.

#### VOLUME Knob

Controls the input signal level for the Channel 1 input.

#### BASS Knob

Bass frequency level control.

#### MIDDLE Knob

Middle frequency level control.

#### TREBLE Knob

Treble frequency level control.

#### TUNER Button

Press this button to engage/disengage the built-in tuner.

### Display

Tuning display. For further information please refer to the TUNER description.

### Channel 2

#### COMBO Jack

XLR input or ¼" (6.35mm) instrument input.

#### VOLUME Knob

Controls the input signal level for the Channel 2 input.

#### SEND Knob

Adjusts the amount of reverb.

### Global Controls

#### REVERB Knob

Sets the overall reverb .

#### MASTER Knob

Sets the overall output volume level.

02

## Control Panels

### BLUETOOTH Button

Press this button to engage/disengage the built-in Bluetooth function.  
For further information please refer to the Bluetooth description.

### POWER indicator

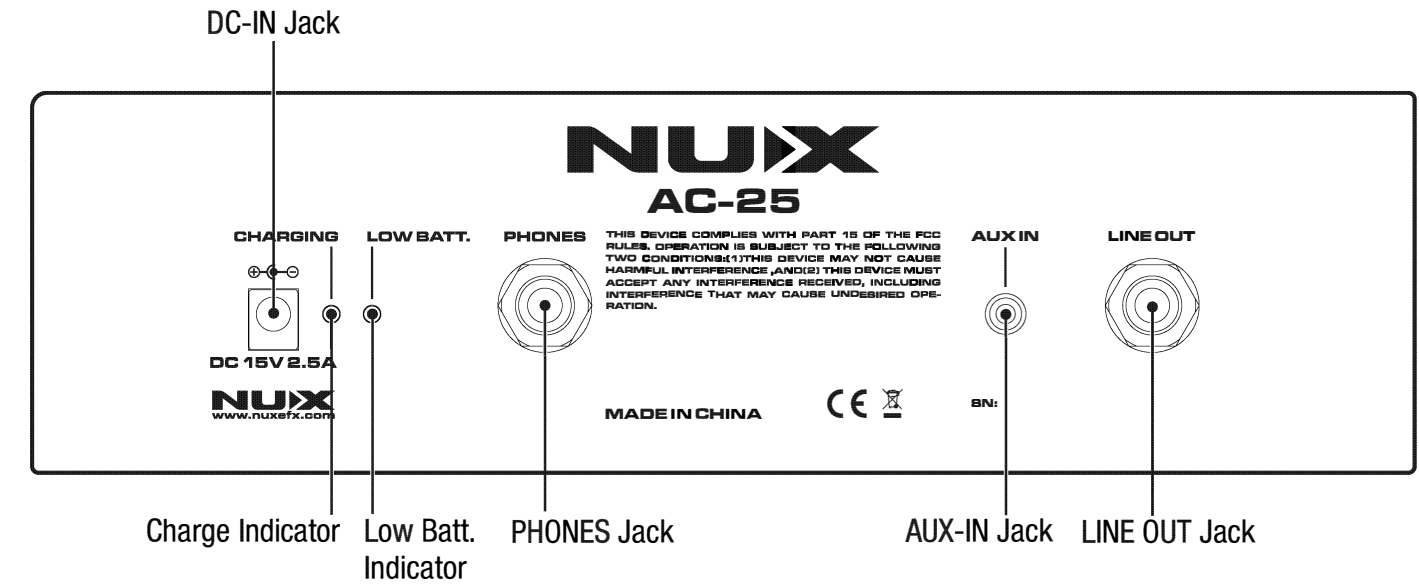
Lights on steady when the amplifier is on.

### ON/OFF Switch

Turn ON/OFF the amplifier.

\* Please turn down the mater volume before you turn on the amp.

## Rear Panel



## Rear Panel

### DC-IN Jack

Plug in the included power supply here to power/charge this amplifier.

Use specified power supply only(DC 15V/2.5A Polarity: Negative tip).

### Charge Indicator

Lights on steady during the charging process.

Lights off automatically when the battery is fully charged.

### Low Batt. Indicator

The LED indicator will light on when the battery level is low.

For further information, please refer to the BATTERY description.

### PHONES Jack

¼ Composite audio signal output jack.

NOTE: The amplifier will be muted when it's plugged in.

### AUX-IN Jack

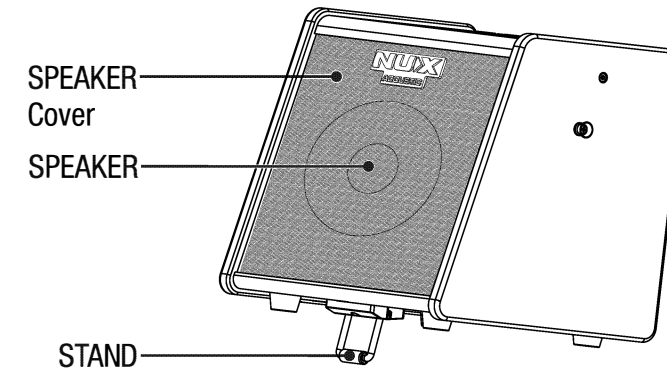
1/8 Line level AUX-IN jack.

You can connect a CD player, MP3 player, or other device and play back sounds in stereo.

### LINE OUT Jack

You can connect a mixer, recording device, or other such device here.

## Main Parts



### SPEAKER Cover

You can take off the speaker cover by pulling the ribbon on lower right corner.

### SPEAKER

6.5" inch full range speaker. + sound hole.

### STAND

You can use the folding stand, just pull it up when needed.

## Operation Guide

### TUNER



TUNING MODE    FLAT    SHARP    IN TUNE

1. Press the TUNER button to activate the built-in tuner.
2. Adjust tuning peg of each string according to the tuning visuals on the DISPLAY:
3. When finishing up, press the TUNER button again to quite the tuner mode.

\*The amplifier will be muted when TUNER is engaged.

\*Tuner ONLY works with CHANNEL 1.

### BLUETOOTH®

1. When you power on the amplifier the Bluetooth function will also be turned on automatically by default. You can turn off the Bluetooth function manually by holding down the BULETOOTH button for 2 seconds.

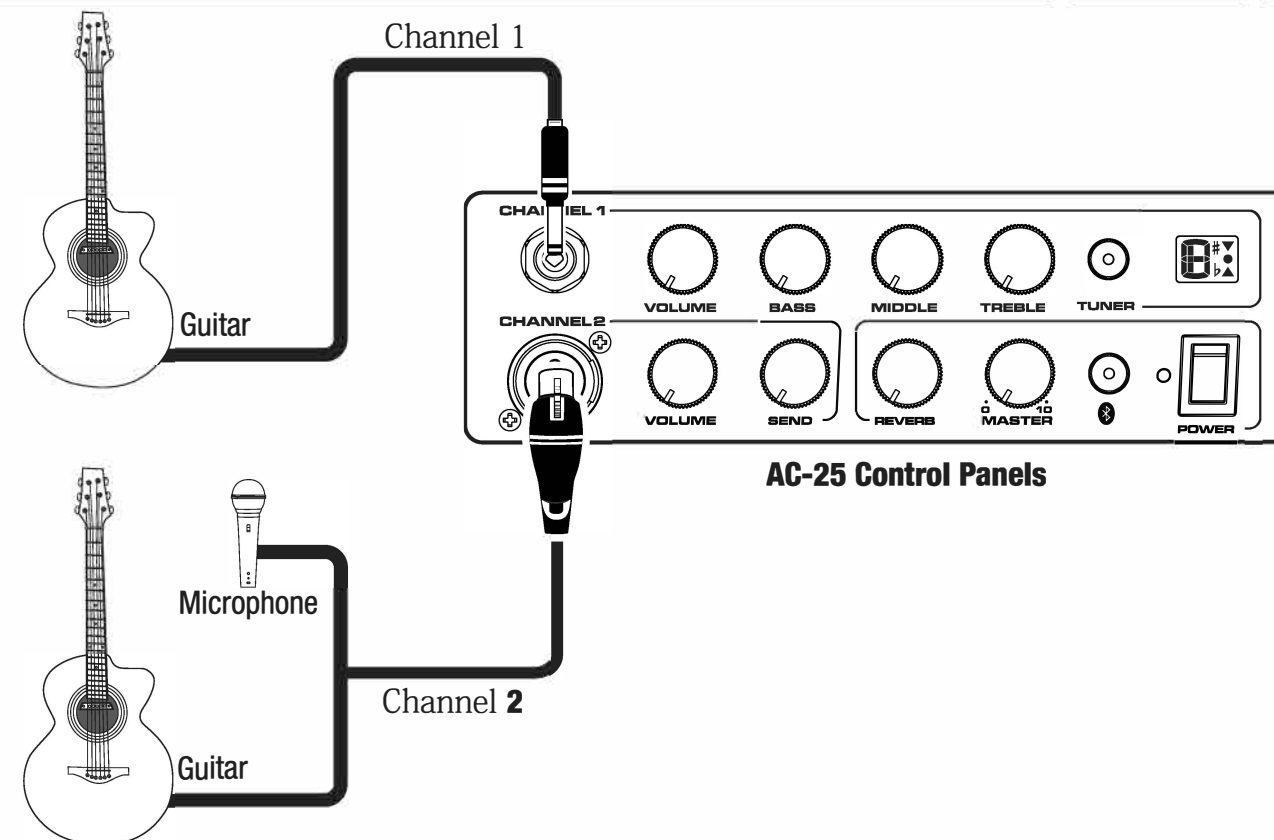
2. This green indicator will keep flash indicating the Bluetooth® module is ready for pairing.
3. Go to the Bluetooth setting menu of Bluetooth enabled device, find the device named "NUX AC25", tap to pair. You will hear an cue tone when connection established successfully.

### BATTERY

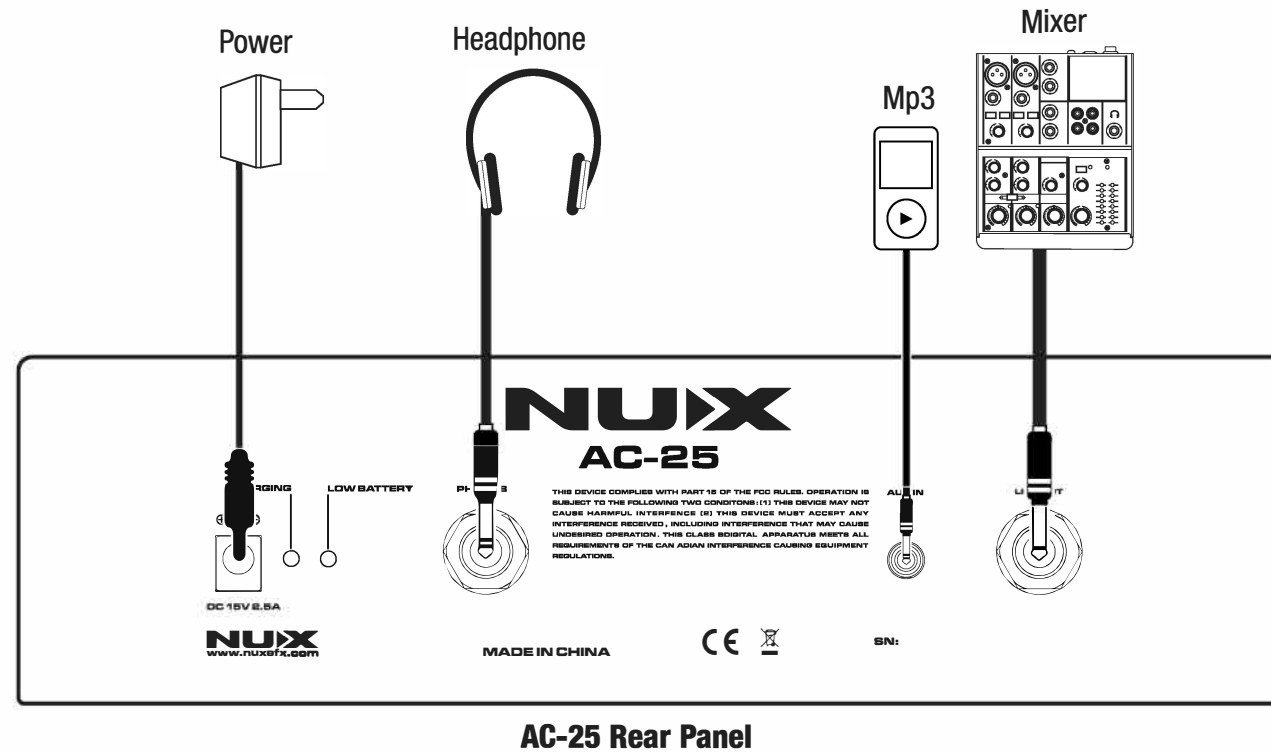
This amplifier is equipped with rechargeable battery packs. You can use either the built in battery packs or the included power supply to power up the amplifier. The Low Batt. indicator will light on when the battery level is low. At this point, the amplifier cannot be powered up until the power supply has been plugged in to recharge the battery. The amplifier can be used normally while charging. After the battery is fully charged, this indicator will turn off automatically. A full charge can take up to 4 hours, a full charge allows up to 4 hours of use.

\* Use time may vary depending on your settings.

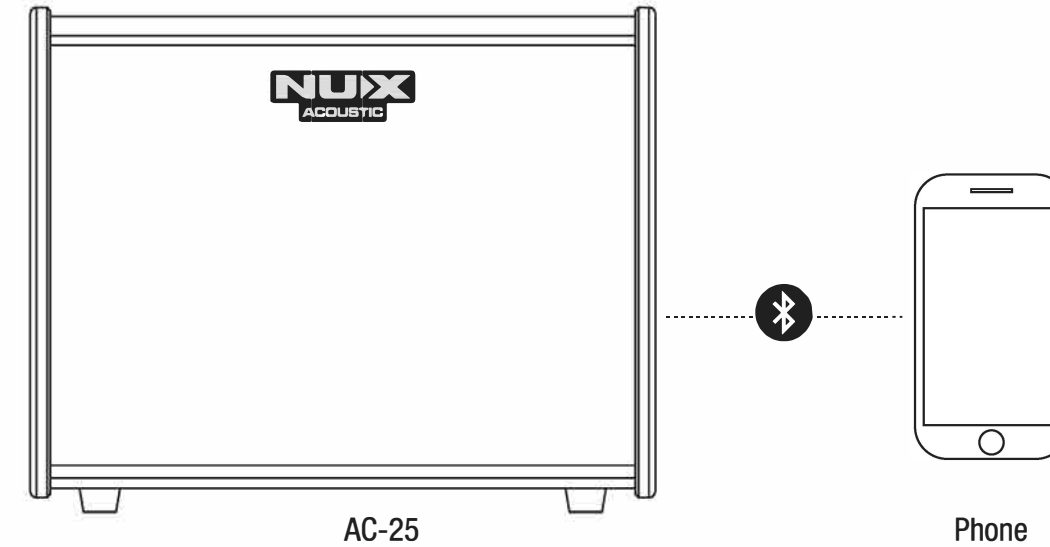
## Connections & Examples of using AC-25



## Connections & Examples of using AC-25



## Connections & Examples of using AC-25



## Technical Specifications

- Speaker: 6.5" , 4ohm , 50W , 63Hz ~ 20kHz
- Sampling Rate: 44.1kHz
- A/D,D/A Convert: 24bit
- Signal Processing: 32bit
- Rated Power: 25W
- Input Level& Impedance:
  - Channel 1 -10dBu /1M Ohms
  - Channel 2 -30dBu /2K Ohms
  - AUX-IN +3dBu / 21k Ohms
- Phones Output : 250mW + 250mW
- Tuning Range: A0~C8
- A4 = 440Hz
- DC Power Supply: 15V/2.5A Negative Tip
- Battery Pack Capacity: 12.6V/3000mAh
- Dimensions: 280(L) x 218(D) x 220(H)mm
- Weight: 5Kg

Supplied Accessories: User Manual, Power Supply

\*Specifications may change without noticed.

### CE mark for European Harmonized Standards

CE Mark which is attached to our company's products of Battery mains the product is in fully conformity with the harmonized standard(s) EN 61000-6-3:2007+A1:2011 & EN 61000-6-1:2007 Under the Council Directive 2004/108/EC on Electromagnetic Compatibility.

© 2020 Cherub Technology-All rights reserved. No part of this publication may be reproduced in any form without prior written permission of Cherub Technology.

