

# Test Report

FCC ID: 2AOA2-NM30110A00

Date of issue: Sept. 29, 2018

Report Number:	MTi180925E133
Sample Description:	TESLA MODEL 3 WIRELESS CHARGER
Model(s):	NM30110A00
Applicant:	Nomad Goods, Inc.
Address:	1187 Coast Village Rd. #638 Suite 1 Santa Barbara, California United States 93108
Date of Test:	Sept. 13, 2018 – Sept. 26, 2018

Shenzhen Microtest Co., Ltd.  
<http://www.mtitest.com>

## Table of Contents

<b>1</b>	<b>GENERAL INFORMATION .....</b>	<b>4</b>
1.1	FEATURE OF EQUIPMENT UNDER TEST (EUT).....	4
1.2	TEST MODE .....	4
1.3	EUT TEST SETUP.....	4
1.4	ANCILLARY EQUIPMENT .....	4
1.5	MEASUREMENT UNCERTAINTY .....	4
<b>2</b>	<b>SUMMARY OF TEST RESULT .....</b>	<b>5</b>
2.1	OPERATION CHANNEL LIST .....	5
2.2	TEST CHANNEL .....	5
<b>3</b>	<b>TEST FACILITIES AND ACCREDITATIONS .....</b>	<b>6</b>
3.1	TEST LABORATORY .....	6
3.2	ENVIRONMENTAL CONDITIONS .....	6
3.3	MEASUREMENT UNCERTAINTY.....	6
3.4	TEST SOFTWARE .....	6
<b>4</b>	<b>LIST OF TEST EQUIPMENT .....</b>	<b>7</b>
<b>5</b>	<b>TEST RESULTS.....</b>	<b>8</b>
5.1	ANTENNA REQUIREMENT .....	8
5.1.1	<i>Standard requirement</i> .....	8
5.1.2	<i>EUT Antenna</i> .....	8
5.2	CONDUCTED EMISSION .....	9
5.2.1	<i>Limits</i> .....	9
5.2.2	<i>Test Procedures</i> .....	9
5.2.3	<i>Test Setup</i> .....	9
5.2.4	<i>Test Result</i> .....	9
5.3	RADIATED EMISSION.....	14
5.3.1	<i>Limits</i> .....	14
5.3.2	<i>Test Procedures</i> .....	15
5.3.3	<i>Test Setup</i> .....	16
5.3.4	<i>Test Result</i> .....	16
5.4	OCCUPIED BANDWIDTH.....	21
5.4.1	<i>Test method</i> .....	21
5.4.2	<i>Test result</i> .....	21
	<b>PHOTOGRAPHS OF THE TEST SETUP.....</b>	<b>22</b>
	<b>PHOTOGRAPHS OF THE EUT.....</b>	<b>24</b>

## Test Result Certification

Applicant's name: Nomad Goods, Inc.

---

Address: 1187 Coast Village Rd. #638 Suite 1 Santa Barbara, California United States 93108

---

Manufacture's name: ShenZhen XinZhenSheng Electronics Co., LTD

---

Address: Building 49, BaoTian Industrial Zone, Xixiang Town, Baoan District, ShenZhen, China

---

Product name: TESLA MODEL 3 WIRELESS CHARGER

---

Trademark: NOMAD

---

Model name: NM30110A00

---

Standards: FCC Part 15C

---

Test Procedure: ANSI C63.10-2013

---

*This device described above has been tested by Shenzhen Microtest Co., Ltd. and the test results show that the equipment under test (EUT) is in compliance with the FCC requirements. And it is applicable only to the tested sample identified in the report.*

Tested by:



---

Demi Mu

Sept. 26, 2018

Reviewed by:



---

Blue Zheng

Sept. 29, 2018

Approved by:



---

Smith Chen

Sept. 29, 2018

## 1 GENERAL INFORMATION

### 1.1 Feature of equipment under test (EUT)

Product name:	TESLA MODEL 3 WIRELESS CHARGER
Model name:	NM30110A00
Operation frequency:	115–205 kHz
Modulation type:	Load modulation
Antenna type:	Coil Antenna
Power supply:	DC 5V from adapter
Battery:	DC 3.7V 6000mAh
Adapter information:	N/A
Model difference:	N/A

### 1.2 Test mode

To investigate the maximum EMI emission characteristics generated from EUT, the test system was pre-scanning tested based on the consideration of following EUT operation mode or test configuration mode which possibly have effect on EMI emission level. Each of these EUT operation mode(s) or test configuration mode(s) mentioned above was evaluated respectively.

Test mode	Description
Mode 1	Charging

Note: The test modes were carried out for all operation modes. The final test mode of the EUT was the worst test mode for EMI, and its test data was showed.

### 1.3 EUT test setup

See photographs of the test setup in the report for the actual setup and connections between EUT and support equipment.

### 1.4 Ancillary equipment

Equipment	Model	S/N	Manufacturer
Adapter	HW-050100E01	/	/

### 1.5 Measurement Uncertainty

Measurement Uncertainty for a Level of Confidence of 95 %,  $U=2xUc(y)$

Conducted emission(150kHz~30MHz)	± 2.5 dB
Radiated emission(30MHz~1GHz)	± 4.2 dB
Radiated emission (above 1GHz)	± 4.3 dB
Temperature	±1 degree
Humidity	± 5 %

## 2 SUMMARY OF TEST RESULT

Item	FCC Part No.	Description of Test	Result
1	FCC PART 15.203	Antenna requirement	Pass
2	FCC PART 15.207	Conducted emission	Pass
3	FCC PART 15.209	Radiated emission	Pass
4	FCC Part 15.215	20dB bandwidth	Pass

### 2.1 Operation channel list

#### Channel List

Channel	Frequency (kHz)
Low	115
Middle	138
High	205

### 2.2 Test channel

Channel	Frequency (kHz)
Middle	138

### 3 TEST FACILITIES AND ACCREDITATIONS

#### 3.1 Test laboratory

Test Laboratory	Shenzhen Microtest Co., Ltd
Location	No.102A & 302A, East Block, Hengfang Industrial Park, Xingye Road, Xixiang, Bao'an District, Shenzhen, Guangdong, China
FCC Registration No.:	448573

#### 3.2 Environmental conditions

Temperature:	20°C~30°C
Humidity	30%~70%
Atmospheric pressure	98kPa~101kPa

#### 3.3 Measurement uncertainty

Measurement Uncertainty for a Level of Confidence of 95 %,  $U=2xUc(y)$

RF frequency	$1 \times 10^{-7}$
RF power, conducted	$\pm 1$ dB
Conducted emission(150kHz~30MHz)	$\pm 2.5$ dB
Radiated emission(30MHz~1GHz)	$\pm 4.2$ dB
Radiated emission (above 1GHz)	$\pm 4.3$ dB
Temperature	$\pm 1$ degree
Humidity	$\pm 5$ %

#### 3.4 Test software

Software Name	Manufacturer	Model	Version
RF Test System	Farad	LZ-RF	Lz_Rf 3A3

#### 4 LIST OF TEST EQUIPMENT

Equipment No.	Equipment Name	Manufacturer	Model	Serial No.	Calibration date	Due date
MTI-E001	Spectrum Analyzer	Agilent	E4407B	MY41441082	2018/09/18	2019/09/17
MTI-E002	CMU 200 universal radio communication tester	Rohde&schwarz	CMU 200	114587	2018/09/18	2019/09/17
MTI-E004	EMI Test Receiver	Rohde&schwarz	ESPI	1000314	2018/09/18	2019/09/17
MTI-E006	Broadband antenna	schwarzbeck	VULB9163	872	2018/09/18	2019/09/17
MTI-E007	Horn antenna	schwarzbeck	BBHA9120D	1201	2018/09/18	2019/09/17
MTI-E014	amplifier	America	8447D	3113A06150	2018/09/18	2019/09/17
MTI-E015	Conduction Immunity Signal Generator	Schloder	CDG6000	126A1343/2015	2018/09/18	2019/09/17
MTI-E016	Coupled decoupling network	Schloder	CDA M2/M3	A2210332/2015	2018/09/18	2019/09/17
MTI-E032	Comprehensive test instrument	Rohde&schwarz	CMW500	124192	2018/09/18	2019/09/17
MTI-E034	amplifier	Agilent	8449B	3008A02400	2018/09/18	2019/09/17
MTI-E037	Artificial power network	Schwarzbeck	NSLK8127	#841	2018/09/18	2019/09/17
MTI-E040	Spectrum analyzer	Agilent	N9020A	MY49100060	2018/09/18	2019/09/17
MTI-E041	Signal generator	Agilent	N5182A	MY49060455	2018/09/18	2019/09/17
MTI-E042	Analog signal generator	Agilent	E4421B	GB40051240	2018/09/18	2019/09/17
MTI-E043	Power probe	Dare Instruments	RPR3006W	16I00054SN O16	2018/09/18	2019/09/17
MTI-E047	10dB attenuator	Mini-Circuits	UNAT-10+	15542	2018/09/18	2019/09/17
MTI-E049	spectrum analyzer	Rohde&schwarz	FSP-38	100019	2018/09/18	2019/09/17
MTI-E050	PSG Signal generator	Agilent	E8257D	MY46520873	2018/09/18	2019/09/17
MTI-E051	Active Loop Antenna 9kHz - 30MHz	Schwarzbeck	FMZB 1519 B	00044	2018/09/18	2019/09/17
MTI-E052	18-40GHz amplifier	Chengdu step Micro Technology	ZLNA-18-40G-21	1608001	2018/09/18	2019/09/17
MTI-E053	15-40G Antenna	Schwarzbeck	BBHA9170	BBHA9170582	2018/09/18	2019/09/17
MTI-E058	Artificial power network	Schwarzbeck	NSLK8127	#841	2018/09/18	2019/09/17

Note: the calibration interval of the above test instruments is 12 months and the calibrations are traceable to international system unit (SI).

## **5 TEST RESULTS**

### 5.1 Antenna requirement

#### 5.1.1 Standard requirement

15.203 requirement: For intentional device, according to 15.203: an intentional radiator shall be designed to ensure that no antenna other than that furnished by the responsible party shall be used with the device

#### 5.1.2 EUT Antenna

The EUT antenna is Coil Antenna. It comply with the standard requirement. In case of replacement of broken antenna the same antenna type must be used.



## 5.2 Conducted emission

### 5.2.1 Limits

For the following equipment, when designed to be connected to the public utility (AC) power line the radio frequency voltage that is conducted back onto the AC power line on any frequency or frequencies shall not exceed the limits in the following tables. Compliance with the provisions of this paragraph shall be based on the measurement of the radio frequency voltage between each power line and ground at the power terminal using a 50  $\mu$ H/50 ohms line impedance stabilization network (LISN).

Frequency (MHz)	Conducted limit (dB $\mu$ V)	
	Quasi-peak	Average
0.15 -0.5	66 - 56 *	56 - 46 *
0.5 -5	56	46
5 -30	60	50

Note: the limit of " \* " marked band means the limitation decreases linearly with the logarithm of the frequency in the range.

### 5.2.2 Test Procedures

The EUT was placed 0.8 meters from the horizontal ground plane with EUT being connected to the power mains through a line impedance stabilization network (LISN). All other support equipment powered from additional LISN(s). The LISN provide 50 Ohm/ 50uH of coupling impedance for the measuring instrument.

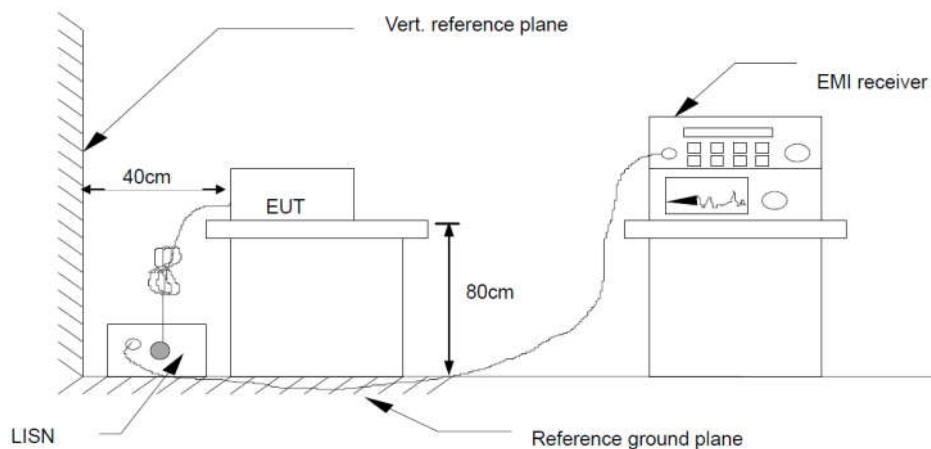
Interconnecting cables that hang closer than 40 cm to the ground plane shall be folded back and forth in the center forming a bundle 30 to 40 cm long.

I/O cables that are not connected to a peripheral shall be bundled in the center. The end of the cable may be terminated, if required, using the correct terminating impedance. The overall length shall not exceed 1 m.

LISN is at least 80 cm from nearest part of EUT chassis.

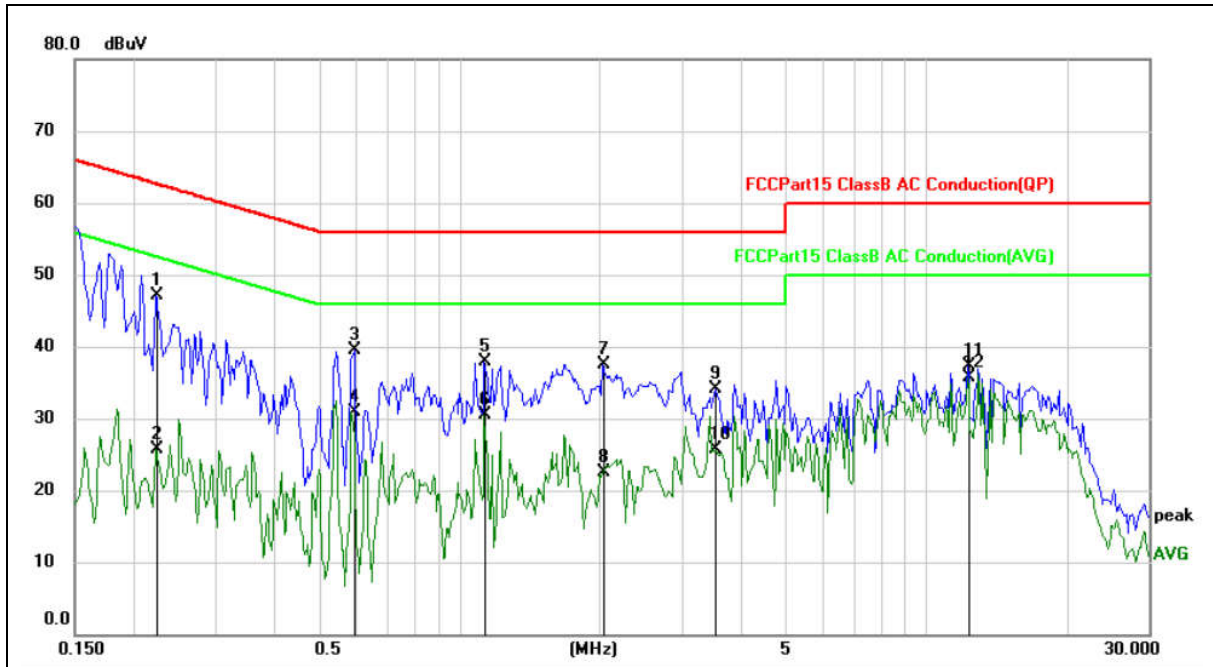
For the actual test configuration, please refer to the related Item – photographs of the test setup.

### 5.2.3 Test Setup



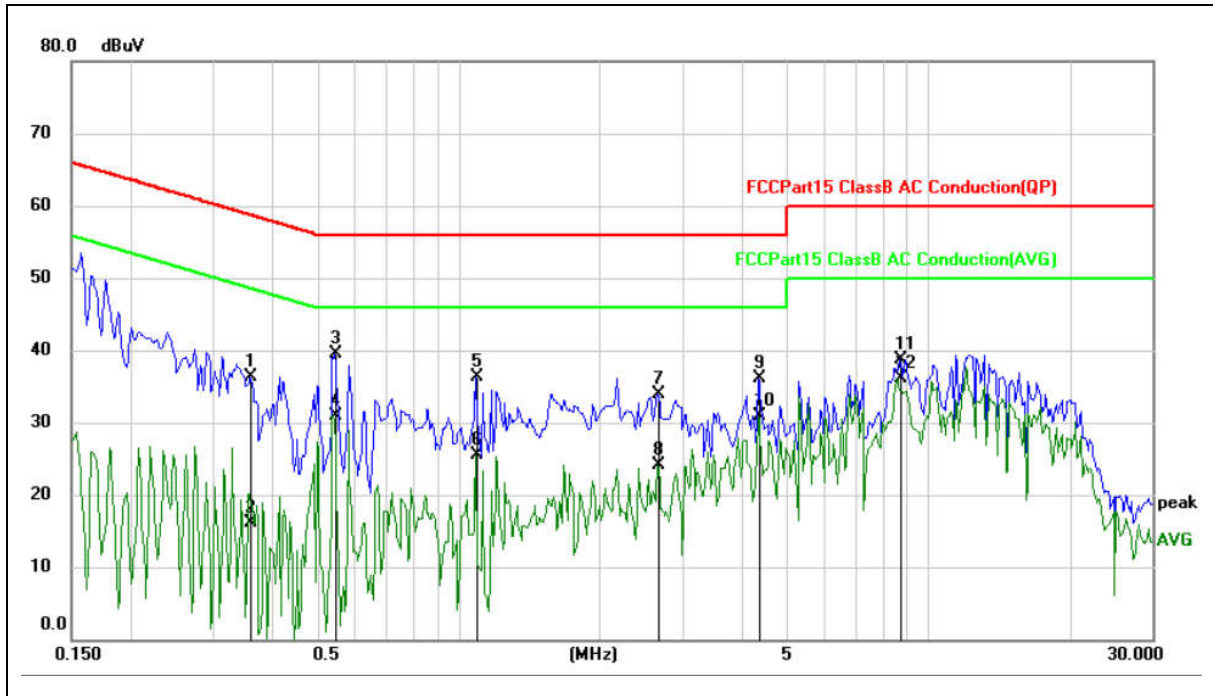
### 5.2.4 Test Result

Temperature:	27°C	Relative Humidity:	65%
Pressure:	101kPa	Phase:	L
Test voltage:	DC 5V from adapter AC 120V/60Hz	Test mode:	Mode 1



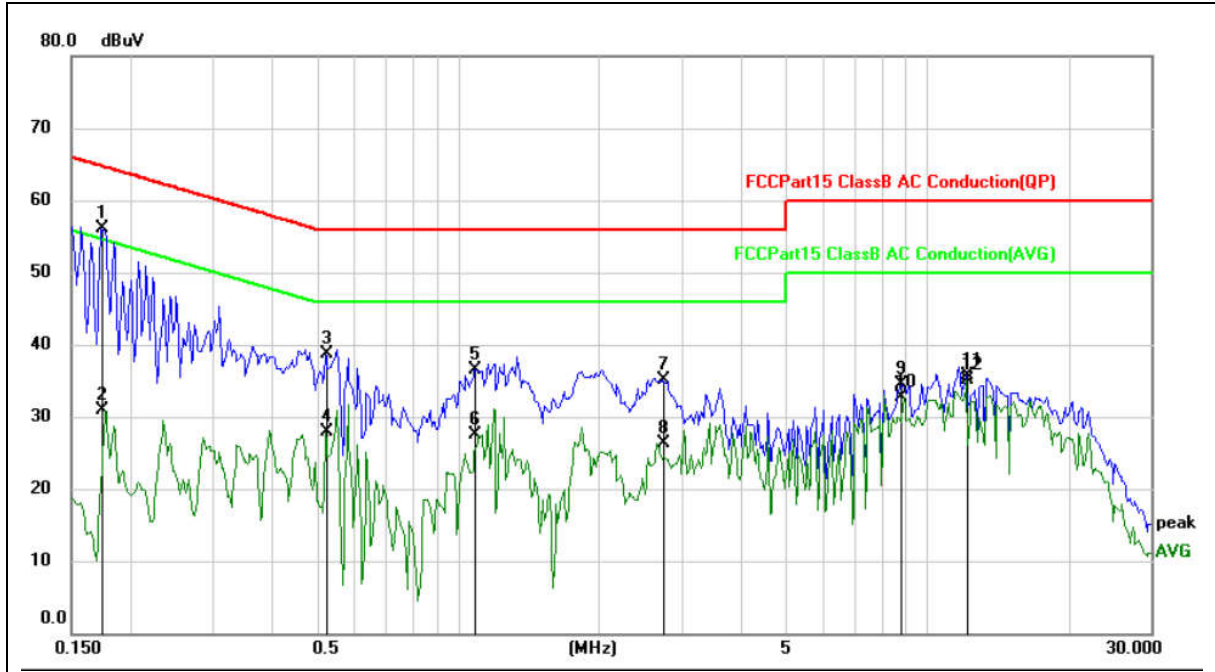
No.	Mk.	Freq. MHz	Reading Level dBuV	Correct Factor dB	Measure- ment dBuV	Limit dBuV	Over dB	Detector	Comment
1		0.2242	47.11	0.02	47.13	62.66	-15.53	QP	
2		0.2242	25.71	0.02	25.73	52.66	-26.93	AVG	
3		0.5953	39.40	0.02	39.42	56.00	-16.58	QP	
4		0.5953	30.79	0.02	30.81	46.00	-15.19	AVG	
5		1.1344	37.87	0.02	37.89	56.00	-18.11	QP	
6		1.1344	30.40	0.02	30.42	46.00	-15.58	AVG	
7		2.0250	37.51	0.02	37.53	56.00	-18.47	QP	
8		2.0250	22.50	0.02	22.52	46.00	-23.48	AVG	
9		3.5352	34.13	0.04	34.17	56.00	-21.83	QP	
10		3.5352	25.66	0.04	25.70	46.00	-20.30	AVG	
11		12.2969	37.28	0.10	37.38	60.00	-22.62	QP	
12	*	12.2969	35.60	0.10	35.70	50.00	-14.30	AVG	

Temperature:	27°C	Relative Humidity:	65%
Pressure:	101kPa	Phase:	N
Test voltage:	DC 5V from adapter AC 120V/60Hz	Test mode:	Mode 1



No.	Mk.	Freq. MHz	Reading Level dBuV	Correct Factor dB	Measure- ment dBuV	Limit dBuV	Over dB	Detector	Comment
1		0.3608	36.30	0.02	36.32	58.71	-22.39	QP	
2		0.3608	16.15	0.02	16.17	48.71	-32.54	AVG	
3		0.5445	39.54	0.02	39.56	56.00	-16.44	QP	
4		0.5445	30.85	0.02	30.87	46.00	-15.13	AVG	
5		1.0914	36.21	0.02	36.23	56.00	-19.77	QP	
6		1.0914	25.46	0.02	25.48	46.00	-20.52	AVG	
7		2.6617	33.79	0.03	33.82	56.00	-22.18	QP	
8		2.6617	24.12	0.03	24.15	46.00	-21.85	AVG	
9		4.3555	36.04	0.04	36.08	56.00	-19.92	QP	
10		4.3555	30.96	0.04	31.00	46.00	-15.00	AVG	
11		8.7070	38.53	0.09	38.62	60.00	-21.38	QP	
12	*	8.7070	35.97	0.09	36.06	50.00	-13.94	AVG	

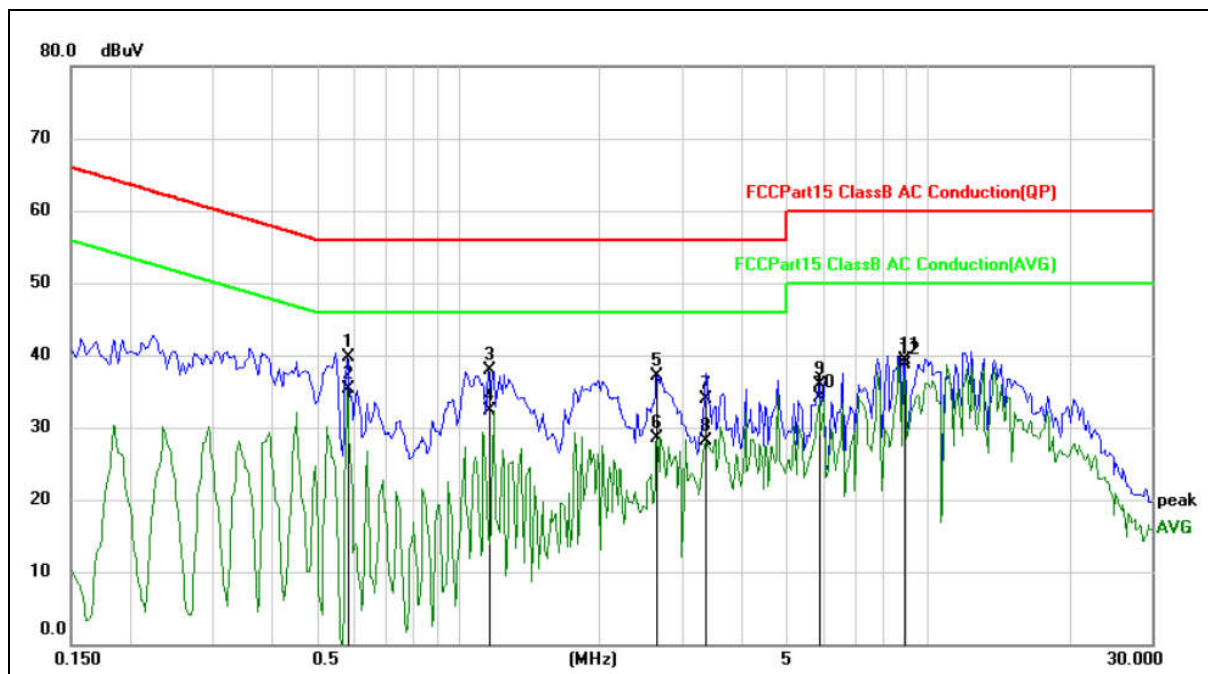
Temperature:	27°C	Relative Humidity:	65%
Pressure:	101kPa	Phase:	L
Test voltage:	DC 5V from adapter AC 240V/60Hz	Test mode:	Mode 1



No.	Mk.	Freq. MHz	Reading Level dBuV	Correct Factor dB	Measure- ment dBuV	Limit dBuV	Over dB	Detector	Comment
1	*	0.1734	56.02	0.02	56.04	64.80	-8.76	QP	
2		0.1734	30.98	0.02	31.00	54.80	-23.80	AVG	
3		0.5211	38.71	0.02	38.73	56.00	-17.27	QP	
4		0.5211	27.79	0.02	27.81	46.00	-18.19	AVG	
5		1.0875	36.44	0.02	36.46	56.00	-19.54	QP	
6		1.0875	27.45	0.02	27.47	46.00	-18.53	AVG	
7		2.7281	34.99	0.03	35.02	56.00	-20.98	QP	
8		2.7281	26.18	0.03	26.21	46.00	-19.79	AVG	
9		8.8047	34.38	0.10	34.48	60.00	-25.52	QP	
10		8.8047	32.61	0.10	32.71	50.00	-17.29	AVG	
11		12.1836	35.51	0.10	35.61	60.00	-24.39	QP	
12		12.1836	35.02	0.10	35.12	50.00	-14.88	AVG	



Temperature:	27°C	Relative Humidity:	65%
Pressure:	101kPa	Phase:	N
Test voltage:	DC 5V from adapter AC 240V/60Hz	Test mode:	Mode 1



No.	Mk.	Freq. MHz	Reading Level dBuV	Correct Factor dB	Measure- ment dBuV	Limit dBuV	Over dB	Detector	Comment
1		0.5797	39.78	0.02	39.80	56.00	-16.20	QP	
2	*	0.5797	35.34	0.02	35.36	46.00	-10.64	AVG	
3		1.1656	37.90	0.02	37.92	56.00	-18.08	QP	
4		1.1656	32.38	0.02	32.40	46.00	-13.60	AVG	
5		2.6500	36.98	0.03	37.01	56.00	-18.99	QP	
6		2.6500	28.57	0.03	28.60	46.00	-17.40	AVG	
7		3.3458	33.82	0.04	33.86	56.00	-22.14	QP	
8		3.3458	27.99	0.04	28.03	46.00	-17.97	AVG	
9		5.8711	35.76	0.06	35.82	60.00	-24.18	QP	
10		5.8711	34.07	0.06	34.13	50.00	-15.87	AVG	
11		8.9022	39.23	0.10	39.33	60.00	-20.67	QP	
12		8.9022	38.54	0.10	38.64	50.00	-11.36	AVG	

5.3 Radiated emission

5.3.1 Limits

In case the emission fall within the restricted band specified on 15.205(a), then the 15.209(a) limit in the table below has to be followed.

Frequencies (MHz)	Field Strength (microrvolts/meter)	Measurement Distance (meters)
0.009~0.490	2400/F(KHz)	300
0.490~1.705	24000/F(KHz)	30
1.705~30.0	30	30
30~88	100	3
88~216	150	3
216~960	200	3
Above 960	500	3

LIMITS OF RADIATED EMISSION MEASUREMENT (Above 1000MHz)

FREQUENCY (MHz)	Class B (dBuV/m) (at 3M)	
	PEAK	AVERAGE
Above 1000	74	54

Notes:

The limit for radiated test was performed according to FCC PART 15C.

The tighter limit applies at the band edges.

Emission level (dBuV/m)=20log Emission level (uV/m).

FREQUENCY RANGE OF RADIATED MEASUREMENT (For unintentional radiators)

Highest frequency generated or Upper frequency of measurement used in the device or on which the device operates or tunes (MHz)	Range (MHz)
Below 1.705	30
1.705 – 108	1000
108 – 500	2000
500 – 1000	5000
Above 1000	5 <sup>th</sup> harmonic of the highest frequency or 40 GHz, whichever is lower

Spectrum Parameter	Setting
Attenuation	Auto
Start Frequency	1000 MHz
Stop Frequency	10th carrier harmonic
RB / VB (emission in restricted band)	1 MHz / 1 MHz for Peak, 1 MHz / 10Hz for Average

Receiver Parameter	Setting
Attenuation	Auto
Start ~ Stop Frequency	9kHz~150kHz / RB 200Hz for QP
Start ~ Stop Frequency	150kHz~30MHz / RB 9kHz for QP

Start ~ Stop Frequency	30MHz~1000MHz / RB 120kHz for QP
------------------------	----------------------------------

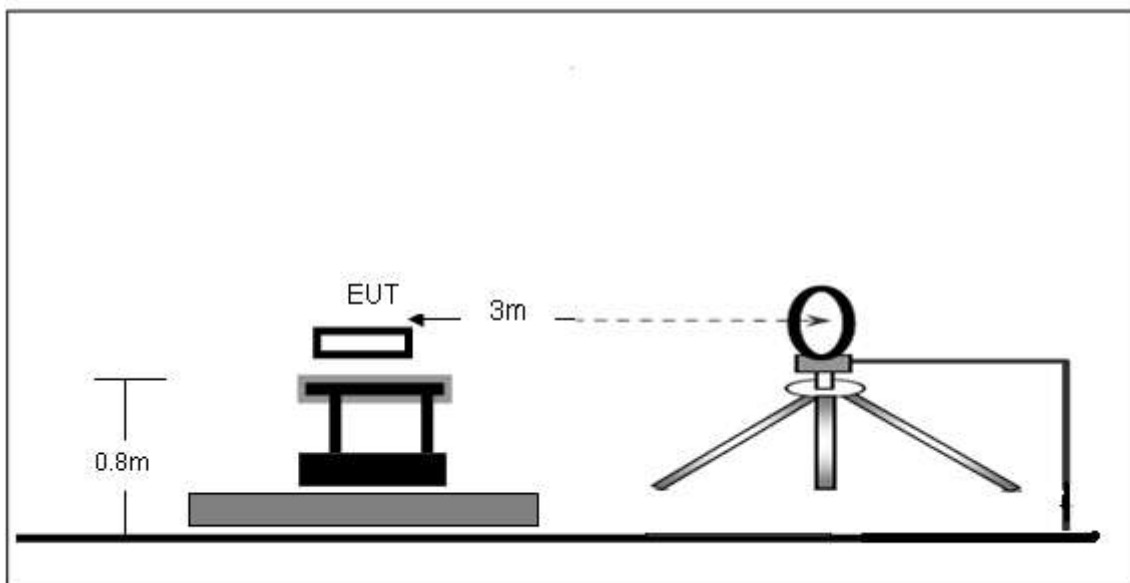
### 5.3.2 Test Procedures

- a. The measuring distance of at 3 m shall be used for measurements at frequency up to 25GHz. For frequencies above 1GHz, any suitable measuring distance may be used.
- b. The EUT was placed on the top of a rotating table 0.8 meters above the ground at a 3 meter semi-chamber test. The table was rotated 360 degrees to determine the position of the highest radiation.
- c. The height of the equipment or of the substitution antenna shall be 0.8m; above 1GHz, the height was 1.5m, the height of the test antenna shall vary between 1 m to 4 m. Both horizontal and vertical polarizations of the antenna are set to make the measurement.
- d. The initial step in collecting conducted emission data is a spectrum analyzer peak detector mode pre-scanning the measurement frequency range. Significant peaks are then marked and then Quasi Peak detector mode re-measured.
- e. If the Peak Mode measured value compliance with and lower than Quasi Peak Mode Limit, the EUT shall be deemed to meet QP Limits and then no additional QP Mode measurement performed.
- f. For the actual test configuration, please refer to the related Item –EUT Test Photos.
- g. For the radiated emission test above 1GHz:  
Place the measurement antenna away from each area of the EUT determined to be a source of emissions at the specified measurement distance, while keeping the measurement antenna aimed at the source of emissions at each frequency of significant emissions, with polarization oriented for maximum response.
- h. The measurement antenna may have to be higher or lower than the EUT, depending on the radiation pattern of the emission and staying aimed at the emission source for receiving the maximum signal. The final measurement antenna elevation shall be that which maximizes the emissions. The measurement antenna elevation for maximum emissions shall be restricted to a range of heights of from 1 m to 4 m above the ground or reference ground plane.

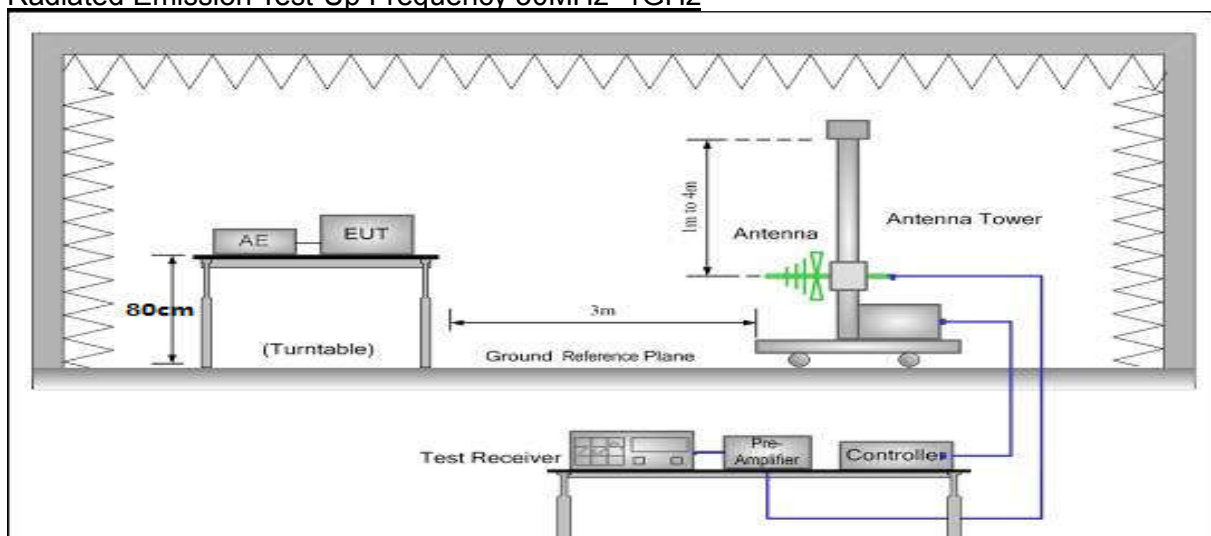
Note: Both horizontal and vertical antenna polarities were tested and performed pretest to three orthogonal axis. The worst case emissions were reported

### 5.3.3 Test Setup

#### Radiated Emission Test-Up Frequency Below 30MHz



#### Radiated Emission Test-Up Frequency 30MHz~1GHz

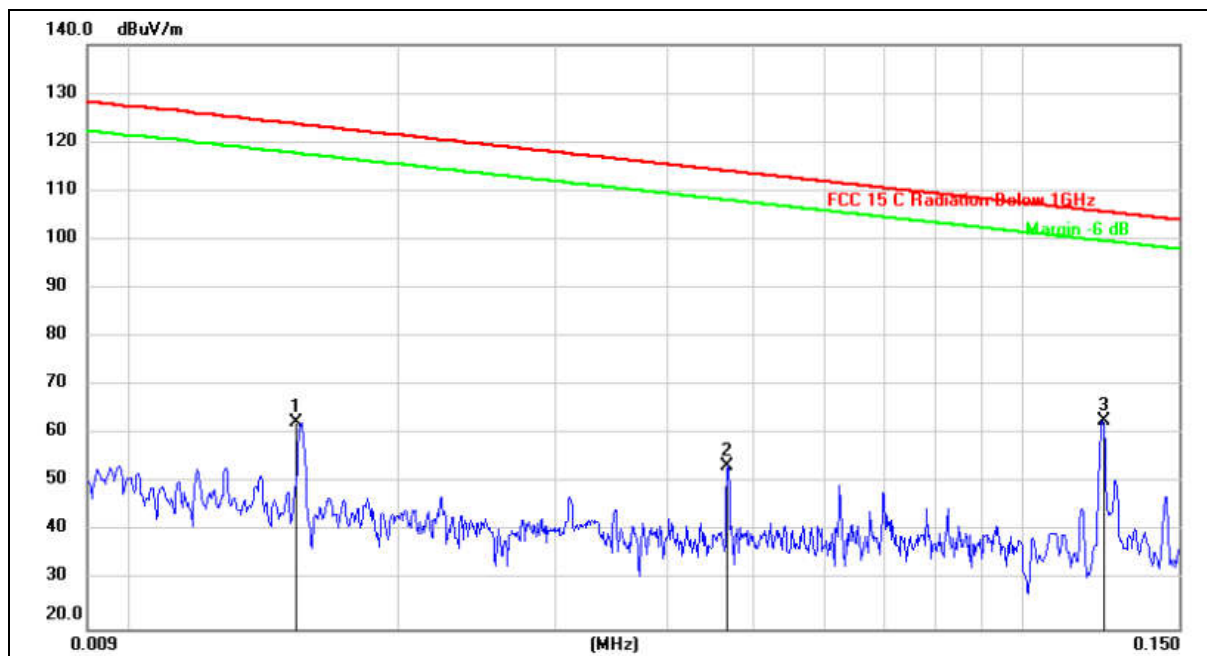


### 5.3.4 Test Result



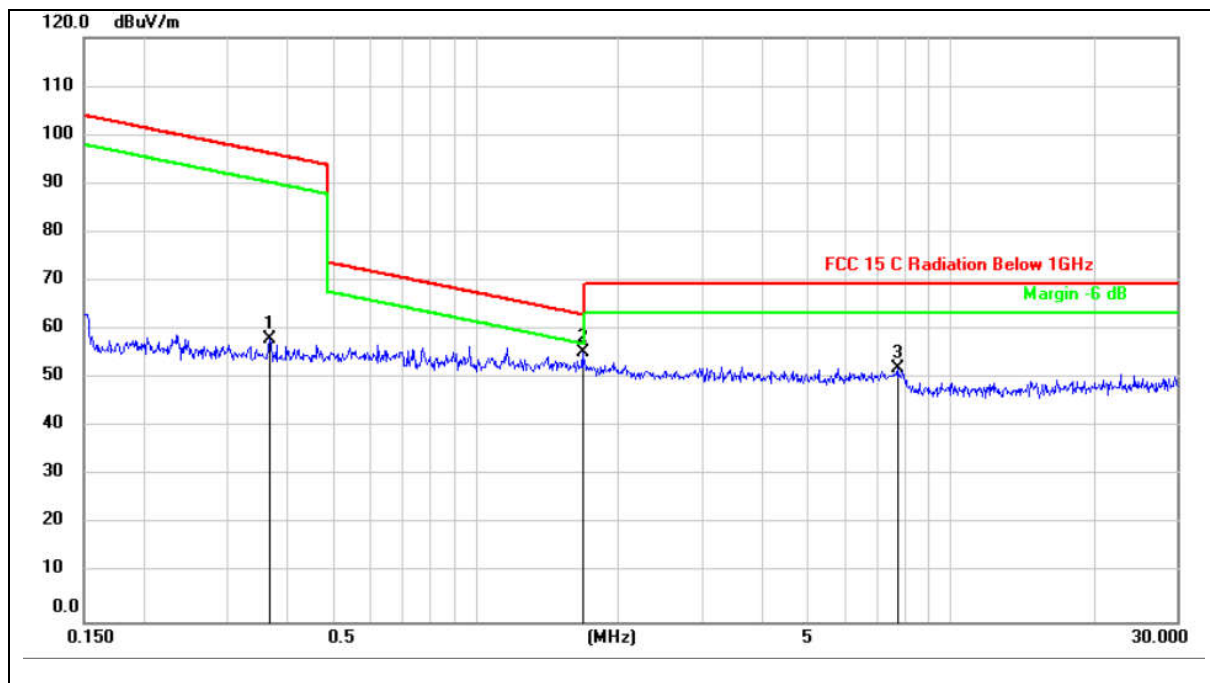
Frequency range (9kHz – 30MHz)

Temperature:	23°C	Relative Humidity:	59%
Pressure:	101kPa	Test mode:	Mode 1
Test voltage:	DC 5V from adapter AC 120V/60Hz		



No.	Mk.	Freq.	Reading Level	Correct Factor	Measurement	Limit	Over	
		MHz	dBuV	dBuV/m	dBuV/m	dBuV/m	dB	Detector
1		0.0154	41.78	20.62	62.40	123.69	-61.29	peak
2		0.0468	33.16	20.43	53.59	114.09	-60.50	peak
3	*	0.1232	42.21	20.43	62.64	105.72	-43.08	peak

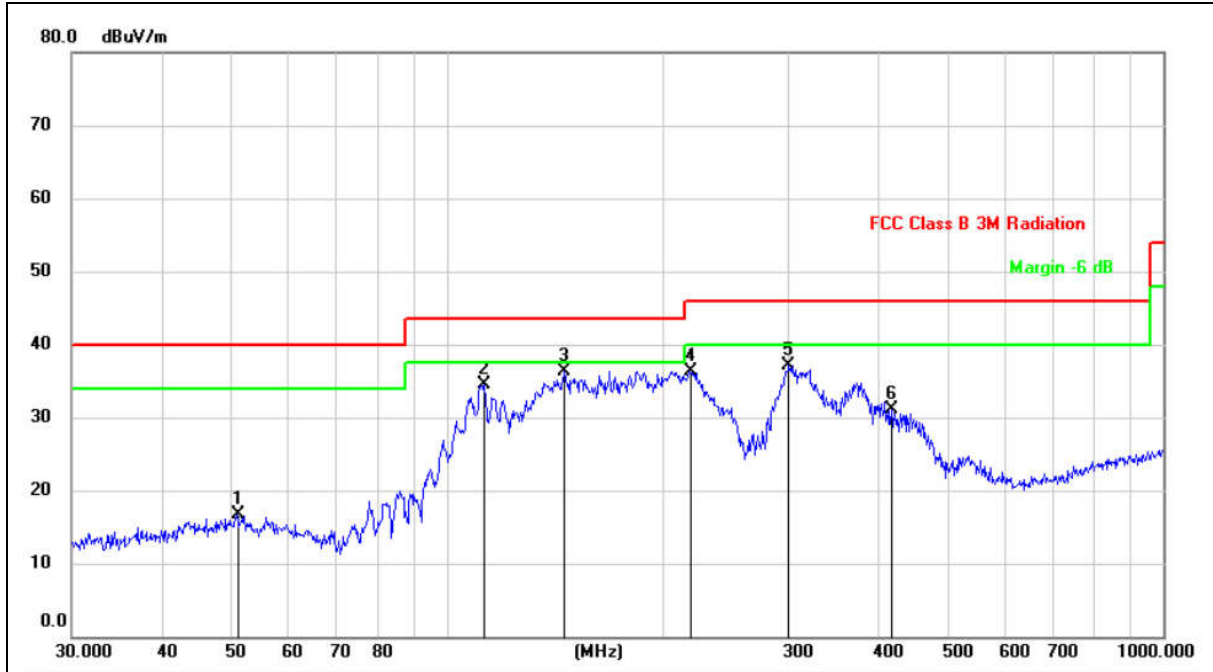
Temperature:	23°C	Relative Humidity:	59%
Pressure:	101kPa	Test mode:	Mode 1
Test voltage:	DC 5V from adapter AC 120V/60Hz		



No.	Mk.	Freq.	Reading Level	Correct Factor	Measurement	Limit	Over	
		MHz	dBuV	dBuV/m	dBuV/m	dBuV/m	dB	Detector
1		0.3690	37.68	20.32	58.00	96.25	-38.25	peak
2	*	1.6800	35.06	20.26	55.32	63.13	-7.81	peak
3		7.7278	31.84	20.35	52.19	69.50	-17.31	peak

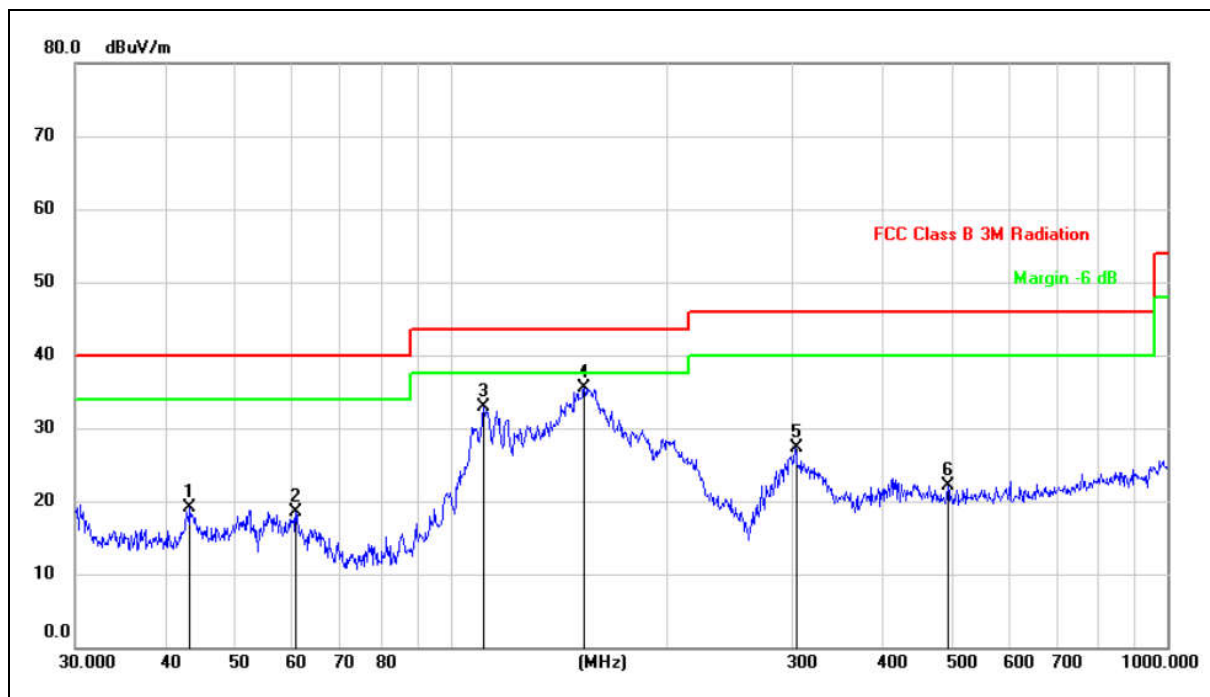
Frequency range (30MHz – 1GHz)

Temperature:	23°C	Relative Humidity:	59%
Pressure:	101kPa	Polarization:	Horizontal
Test voltage:	DC 5V from adapter AC 120V/60Hz	Test mode:	Mode 1



No.	Mk.	Freq.	Reading Level	Correct Factor	Measurement	Limit	Over	
		MHz	dBuV	dBuV/m	dBuV/m	dBuV/m	dB	Detector
1		50.9420	26.53	-9.80	16.73	40.00	-23.27	QP
2		112.9196	46.40	-11.93	34.47	43.50	-9.03	QP
3	*	145.8609	50.88	-14.66	36.22	43.50	-7.28	QP
4		218.3085	47.39	-11.10	36.29	46.00	-9.71	QP
5		300.3672	45.79	-8.61	37.18	46.00	-8.82	QP
6		417.6409	37.35	-6.29	31.06	46.00	-14.94	QP

Temperature:	23°C	Relative Humidity:	59%
Pressure:	101kPa	Polarization:	Vertical
Test voltage:	DC 5V from adapter AC 120V/60Hz	Test mode:	Mode 1



No.	Mk.	Freq. MHz	Reading Level dBuV	Correct Factor dBuV/m	Measure- ment dBuV/m	Limit dBuV/m	Over dB	Detector
1		43.3534	29.18	-10.02	19.16	40.00	-20.84	QP
2		60.9176	29.98	-11.40	18.58	40.00	-21.42	QP
3		111.3468	44.47	-11.66	32.81	43.50	-10.69	QP
4	*	153.7385	48.90	-13.32	35.58	43.50	-7.92	QP
5		302.4812	35.16	-7.81	27.35	46.00	-18.65	QP
6		494.1983	27.78	-5.58	22.20	46.00	-23.80	QP

5.4 Occupied bandwidth

5.4.1 Test method

Use the following spectrum analyzer settings:

Span = approximately 2 to 3 times the 20 dB bandwidth, centered on a hopping channel

RBW  $\geq 1\%$  of the 20 dB bandwidth

VBW  $\geq$  RBW

Sweep = auto

Detector function = peak

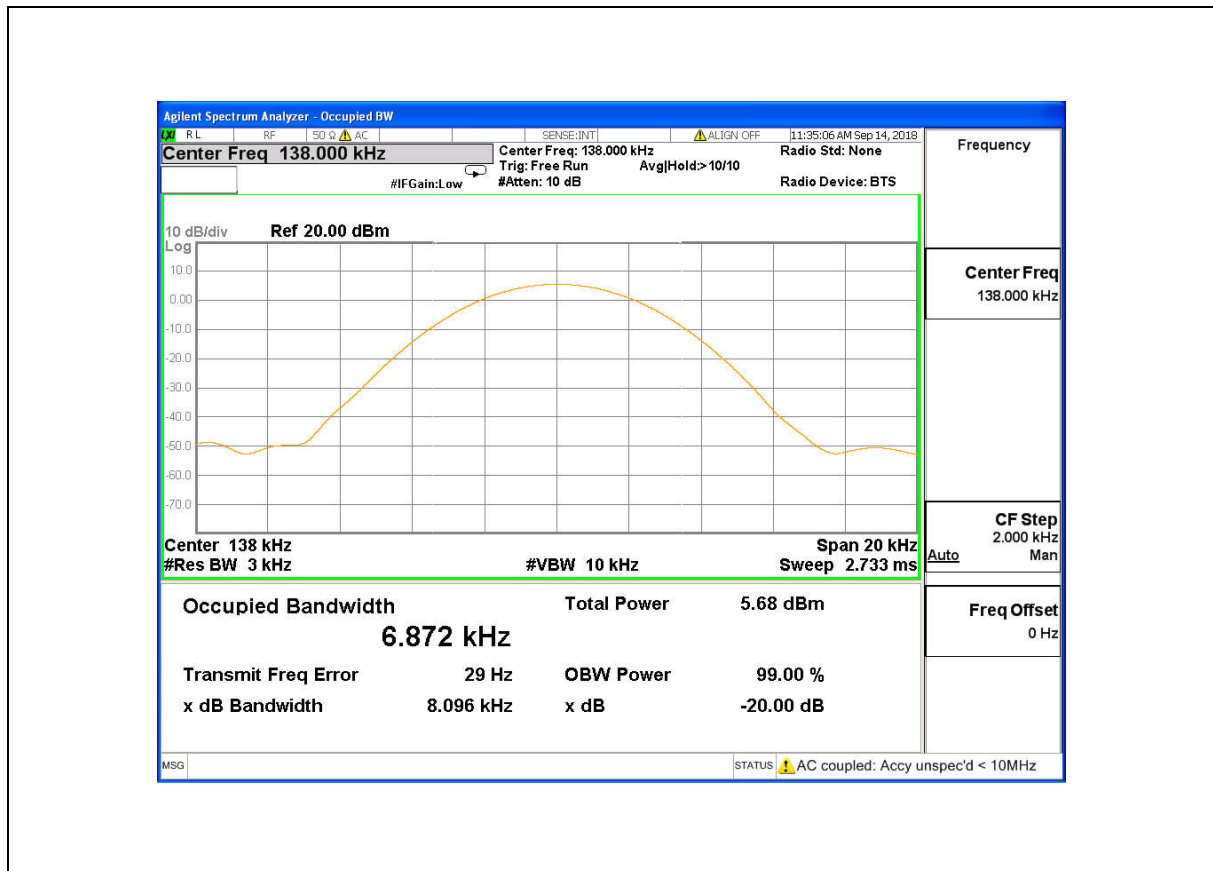
Trace = max hold

The EUT should be transmitting at its maximum data rate. Allow the trace to stabilize. Use the marker-to-peak function to set the marker to the peak of the emission. Use the marker-delta function to measure 20 dB down one side of the emission. Reset the marker-delta function, and move the marker to the other side of the emission, until it is (as close as possible to) even with the reference marker level. The marker-delta reading at this point is the 20 dB bandwidth and 99% occupied bandwidth of the emission.

5.4.2 Test result

Frequency (kHz)	20dB emission bandwidth (kHz)	99% occupied bandwidth (kHz)
138	8.096	6.872

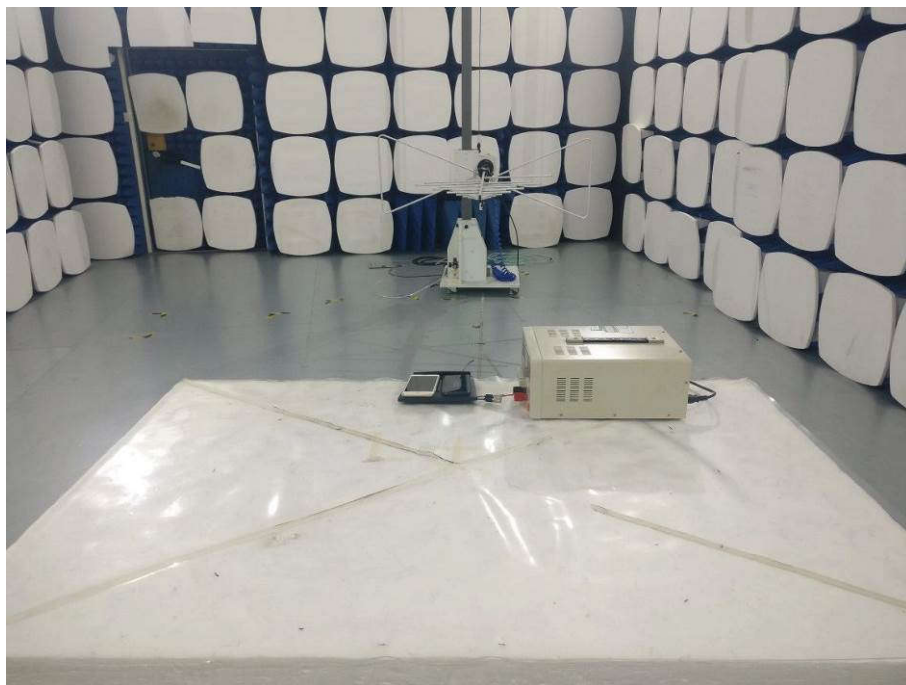
Test plots as below





## Photographs of the Test Setup

Radiated emission



Conducted emission



## **Photographs of the EUT**

See the APPENDIX 1: EUT PHOTO in the report No.: MTi180925E133-1.

**----END OF REPORT----**