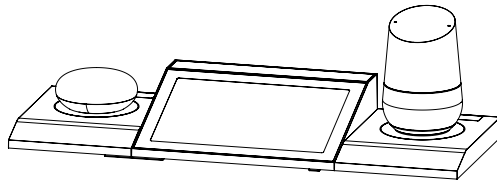


OUTFORM™

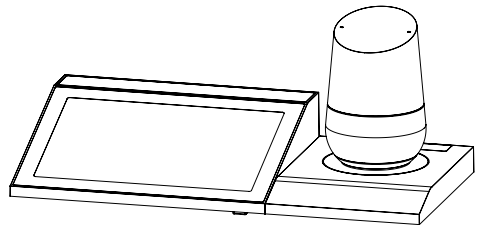
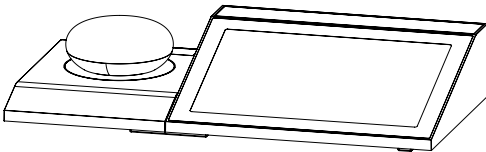
Interactive Riser 2.1

UC100493 Modular Demo Home and Mini Only

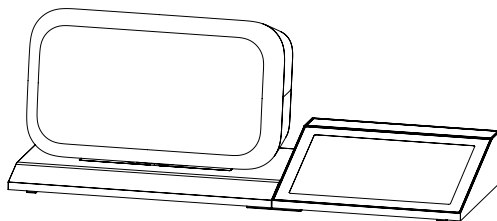


UC100497 Modular Demo Mini Only

UC100495 Modular Demo Home Only



UC100496 Modular Demo Max Only



Installation and User Manual

Table of Contents

Contents

Important Information	3
Configurations and Package Contents	6
Installation Information	8
Mechanical Installation Instructions	10
Adhesive Installation Instructions	12
Powering on the Command Center and Max	13
Home and Mini Flashing Instructions	14
Max Flashing Instructions	15
Installing the Apk	17
Apk Setup	20
Installation Troubleshooting	21

FCC Notice

This device complies with Part 15 of the FCC rules. Operation is subject to the following two conditions: (1) This device may not cause harmful interference. (2) This device must accept any interference received, including interference that may cause undesired operation.

NOTE: This equipment has been tested and found to comply with the limits for a Class B digital device, pursuant to Part 15 of the FCC rules. These limits are designed to provide reasonable protection against harmful interference in a residential installation. This equipment generates uses and can radiate radio frequency energy and, if not installed and used in a accordance with the instructions, may cause harmful interference to radio communications. However, there is no guarantee that interference will not occur in a particular installation. If this equipment does cause harmful interference to radio or television reception, which can be determined by turning the equipment off and on, the user is encouraged to try to correct the interference by one or more of the following measures:

- Reorient or relocate the receiving antenna.
- Increase the separation between the equipment and receiver.
- Connect the equipment into an outlet on a circuit different from that to which the receiver is connected.
- Consult the dealer or an experienced radio/TV technician for help.

WARNING: Changes or modifications not expressly approved by the party responsible for compliance could void the user's authority to operate the equipment.

RF Exposure

The equipment complies with FCC radiation exposure limits set forth for an uncontrolled environment. This device should be installed and operated with minimum distance 20cm between the radiator & your body.

IC Notice:

This device complies with Canada Industry license-exempt RSS standard(s). Operation is subject to the following two conditions:

- (1) this device may not cause interference; and
- (2) this device must accept any interference. Including interference that may cause undesired operation of the device.

FCC ID:2A09X-UI410WC01

IC: 23704-UI410WC01

CAN ICES-3(B)/NMB-3(B)

Radiation Exposure Statement:

This equipment complies with IC radiation exposure limits set forth for an uncontrolled environment. This equipment should be installed and operated with minimum distance

20cm between the radiator & your body.

2.4G WIFI RF MAX POWER(EIRP):16dBm(2412~2472MHz)

Caution:

1. The product shall only be connected to a USB interface of version USB 2.0
2. Adapter shall be installed near the equipment and shall be easily accessible.
3. The max operating of the EUT is 50°C, and shouldn't be lower than 0oC.
4. The plug is considered as disconnect device of adapter.
5. The device complies with RF specifications when the device used at 20Cm from your body.
6. Declaration of Conformity.

We, Outform Science and Technology Ltd hereby declare that the essential requirements in compliance with the Directive 2014/53/EU have been fully fulfilled on our product with the indication below:

Product Name: MODULAR DEMO Brand Name: Outform Model:
UI410W-C01

This product can be used across EU member states.

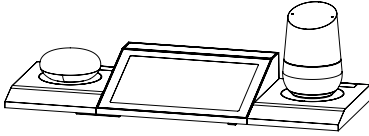
Outform China and Technology Ltd

No. A103 Medical Appliance and Industry Garden,
#1019, Nanhai road, Nanshan district, Shenzhen 518035, China
+086-0755-83236716

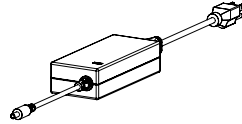


UC100493 Home and Mini Only Package Contents

Command Center, Mini and Home



PSU with AC Cable



M4 Threaded Rods x12



M4 Wing Nut x12



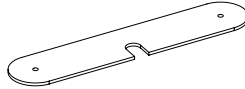
Power Transfer Cable



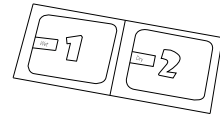
Mini and Home Security Plate x2



Command Center Security Plate

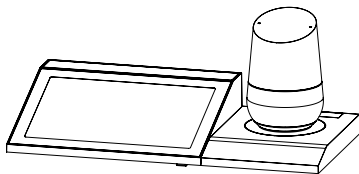


Cleaning Cloth

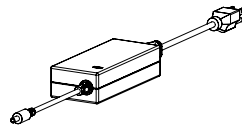


UC100495 Home only Package Contents

Command Center and Home



PSU with AC Cable



M4 Threaded Rods x8



M4 Wing Nut x8



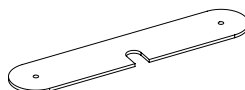
Power Transfer Cable



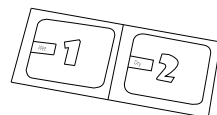
Home Security Plate



Command Center Security Plate

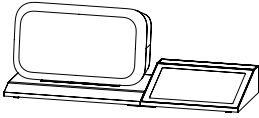


Cleaning Cloth

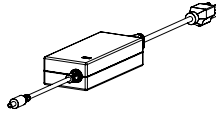


UC100496 Max only Package Contents

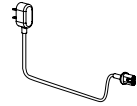
Command Center and Max



PSU with AC Cable



Max Power Cable



M4 Wing Nut x8



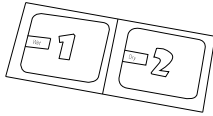
M4 Threaded Rods x8



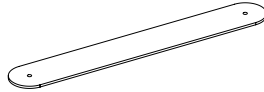
Power Transfer Cable



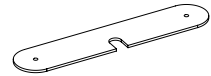
Cleaning Cloth



Max Security Plate

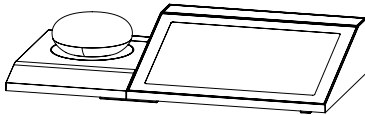


Command Center Security Plate

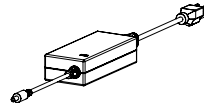


UC100497 Mini only and Package Contents

Command Center and Mini



PSU with AC Cable



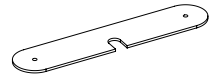
M4 Wing Nut x8



Power Transfer Cable



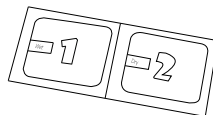
Command Center Security Plate



M4 Threaded Rods x8



Cleaning Cloth

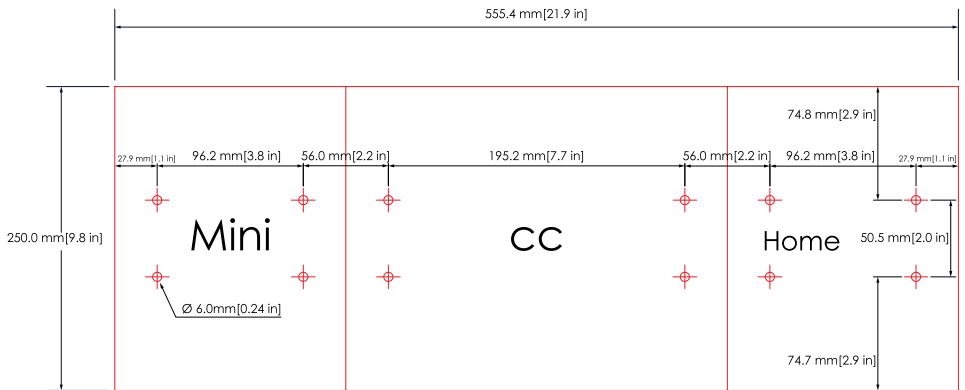


Mini Security Plate

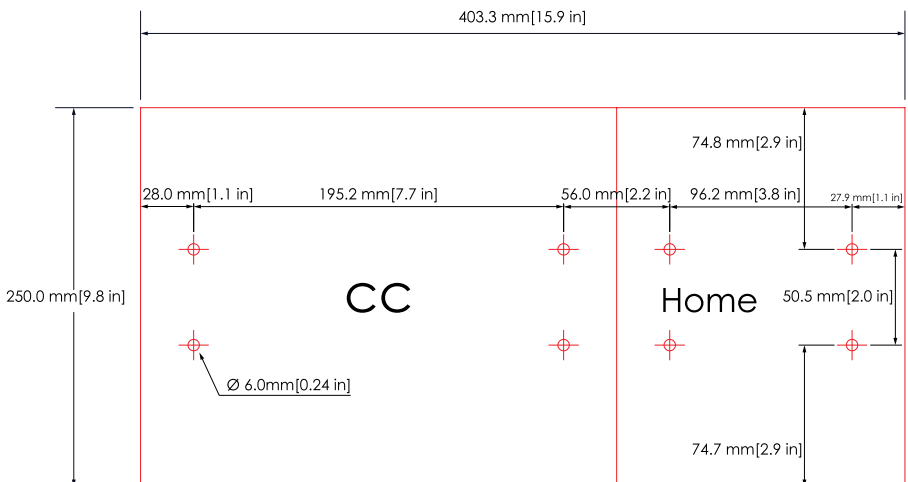


The installation procedure is the same regardless of which configuration you have. Each configuration needs unique measurements in order to correctly install the display onto the table. Find and use the measurements PDF to make the measurements on the display table that apply to you.

Table_Mini+CC+Home(UC100493)

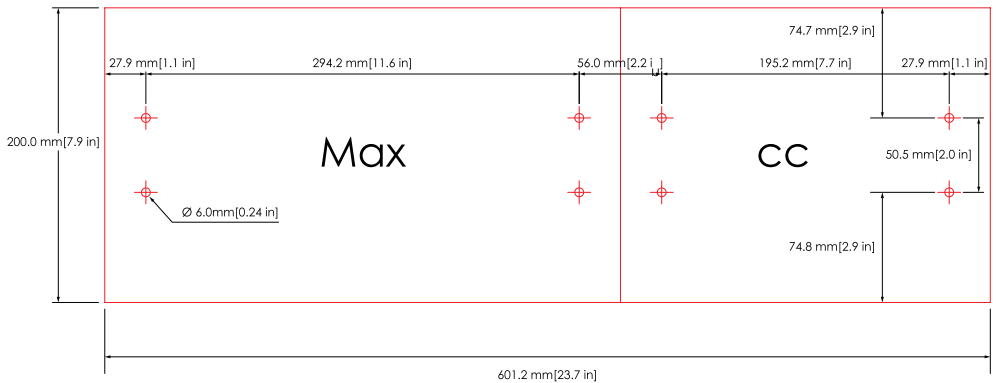


Table_CC+Home(UC100495)

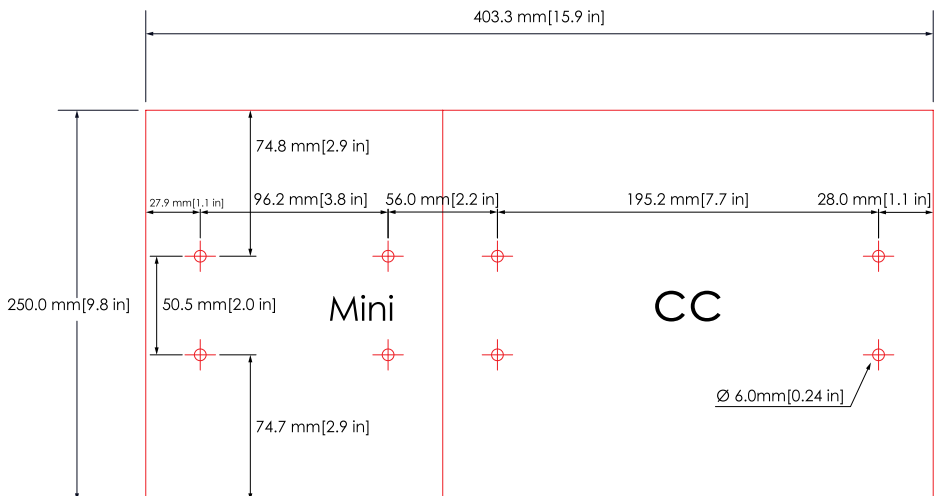


The installation procedure is the same regardless of which configuration you have. Each configuration needs unique measurements in order to correctly install the display onto the table. Find and use the measurements PDF to make the measurements on the display table that apply to you.

Table_Max+CC(UC100496)



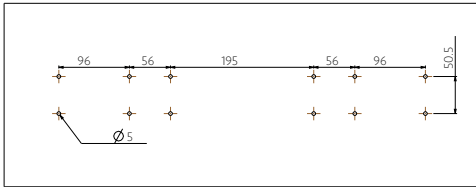
Table_Mini+CC(UC100497)



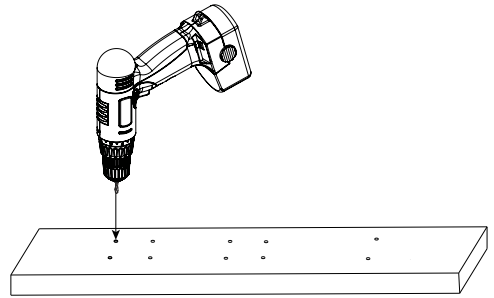
Note: One row of threaded rods are needed to secure the configuration to the table. If needed, 2x rows of threaded rods can be added.

Step 1. Use the paper guide to measure out the holes onto the center of the display table that applies to the configuration you have. Use the provided measurements template to Measure out 1 or 2 rows of holes according to your requirements.

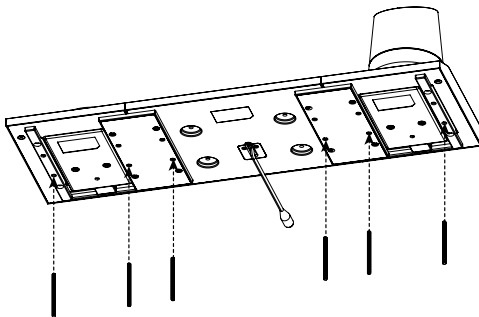
Biggie and CC Installation measurements
All measurements are shown in mm



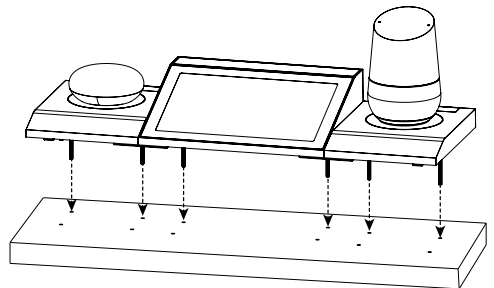
Step 2. Install a drill bit measuring 5mm in diameter into a power drill, use the drill with the 5mm drill bit to drill out the holes.



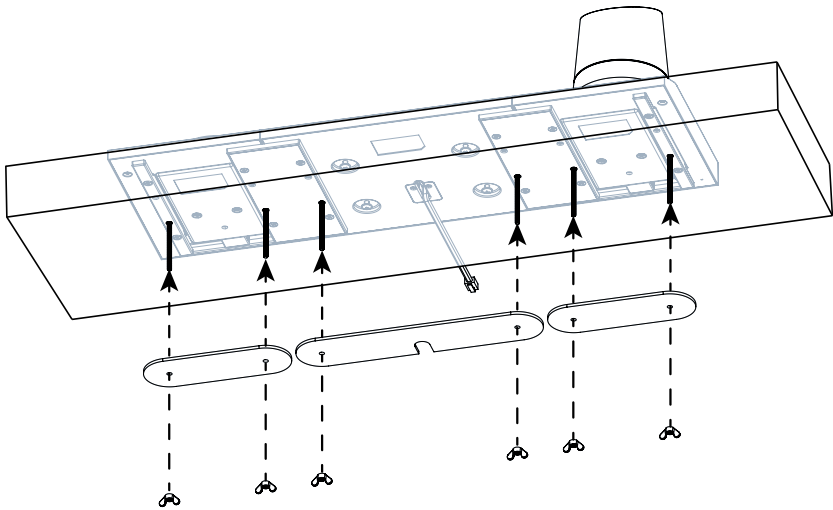
Step 3. Install 1 or 2 rows of threaded rods into the base of your configuration.



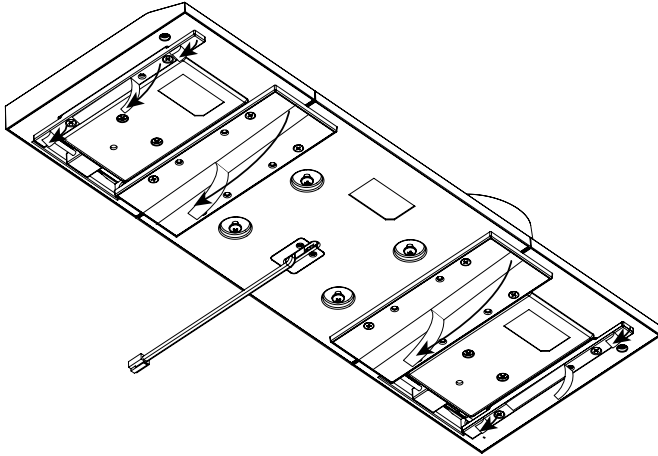
Step 4. Use the cleaning cloth to wipe the table top clean, then Insert the threaded rods installed in step 3 into the corresponding drilled holes made in step 2.



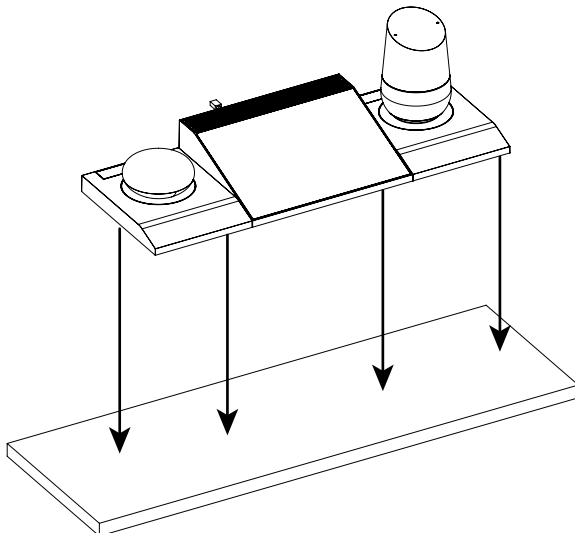
Step 5. From under the display table, by hand install the applicable metal plates (depending on your configuration) onto the threaded rods and install 1x M4 wing nut onto each threaded rods over the metal plates.



Step 1. Peel off the protective film from the stands located on the underside of the configuration you have.

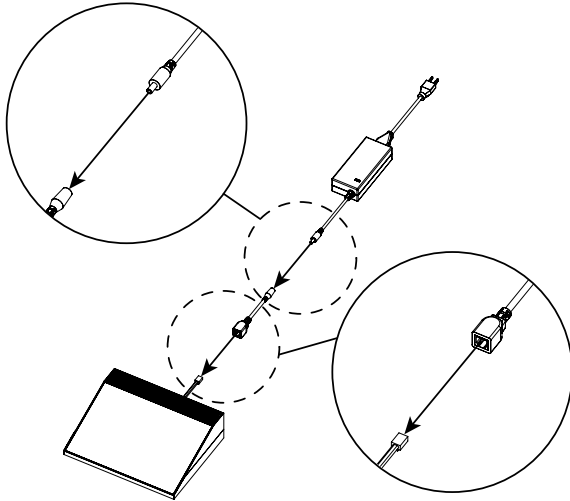


Step 2. Use the cleaning cloth to wipe the table top clean, then adhere the display onto the center of the display table. Push down firmly for 10 seconds over each adhesive area to adhere the display to the table.

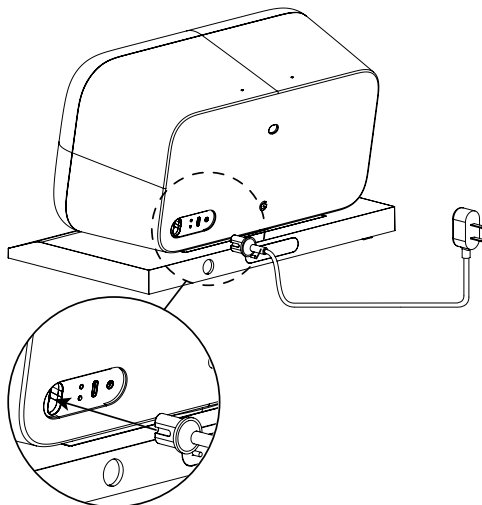


Note: The Command Center directs power to the Mini and Home via data cables. The Max has its own power cable, it must have its own dedicated power supply.

Powering on the Command Center. Connect the correct end of the power transfer cable onto the RJ45 cable protruding from the rear of the Command Center and connect the DC end of the power transfer cable into the correct end of the PSU. Insert the other end of the power cable into the nearest power socket. The display powers on.



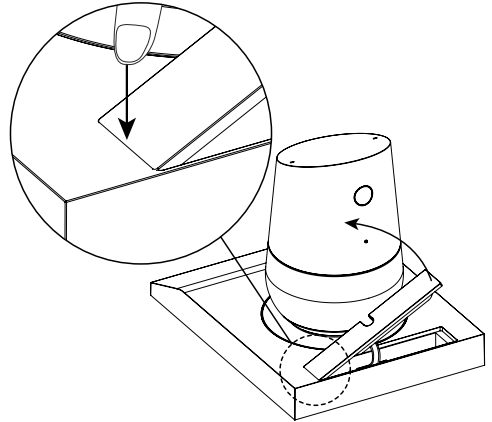
Powering on the Max. Connect the correct end of the Max power cable into the back of the Max. Insert the other end of the power cable into the nearest power socket. The display powers on.



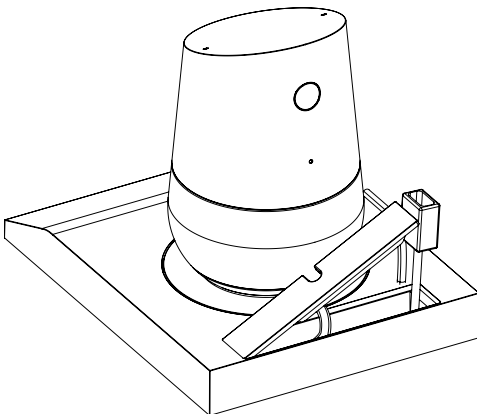
Note: The steps needed to flash the Home and the Mini are the same.

Step 1. Take a USB flash drive, insert the USB onto a P.C./laptop and create a folder on the drive. Once copying is complete remove the USB drive from the P.C./laptop.

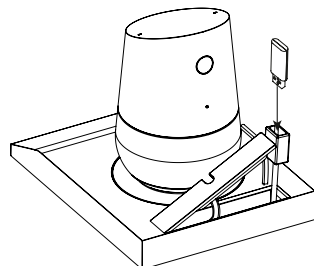
Step 2. Press the left side of the cover located on the rear edge of the module and lift the right side of the cover up.



Step 3. Pull out the USB-A connector located in the module.



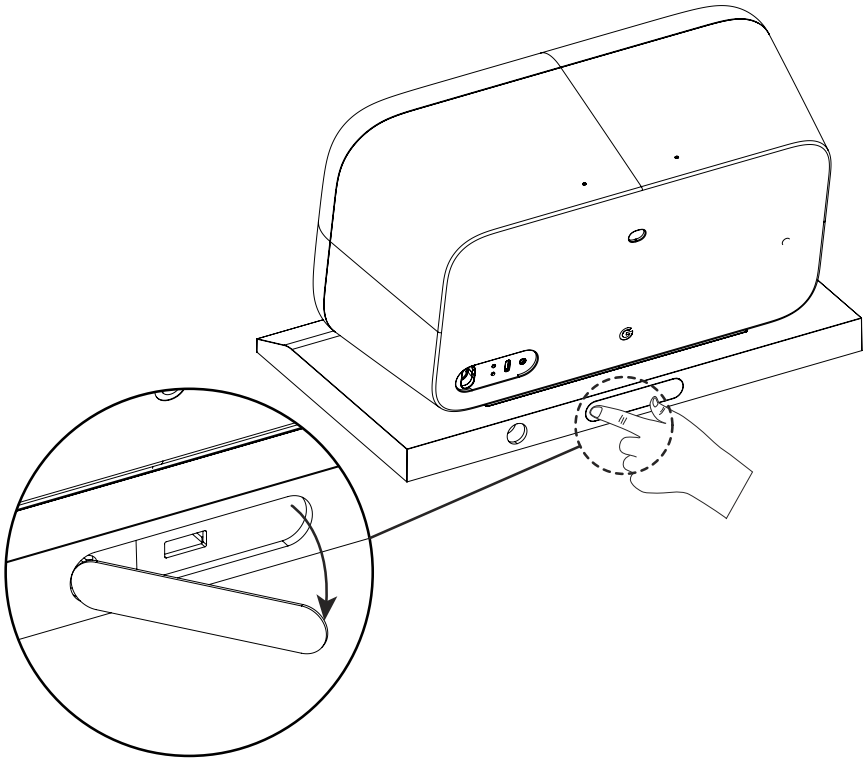
Step 4. Insert the USB flash drive into the connector. Do not press any buttons on the device. After 4-5 minutes the LEDs on the device will turn green or red. Green indicates that the procedure has been completed successfully and red indicates the operation has failed. If the operation has failed, remove the USB and try again.



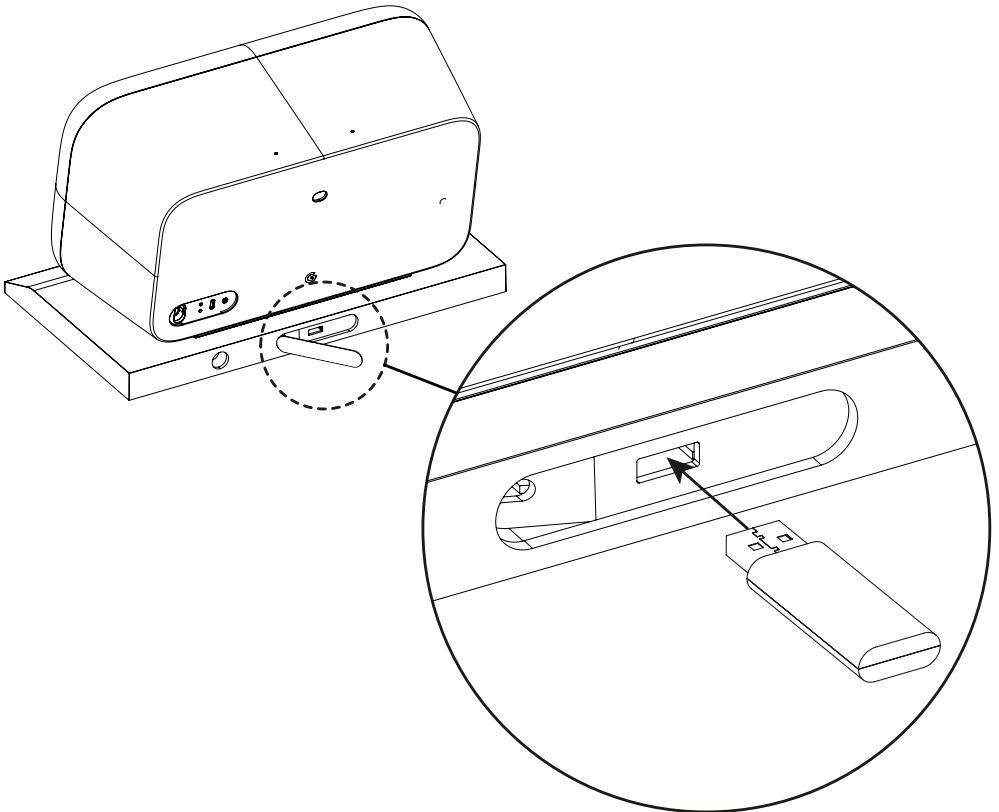
Note: To flash the Max, a USB-C to USB-A adapter is needed

Step 1. Take a USB flash drive and copy the files into the folder. Once copying is complete remove the USB drive.

Step 2. Press the left side of the cover located on the rear of the module and lift the right side of the cover up.



Step 3. Insert the USB flash drive into the connector. Do not press any buttons on the device. After 4-5 minutes the LEDs on the device will turn green or red. Green indicates that the procedure has been updated successfully and red indicates the operation has failed. If the operation is successful, remove the USB. If the operation has failed remove the USB and try again.

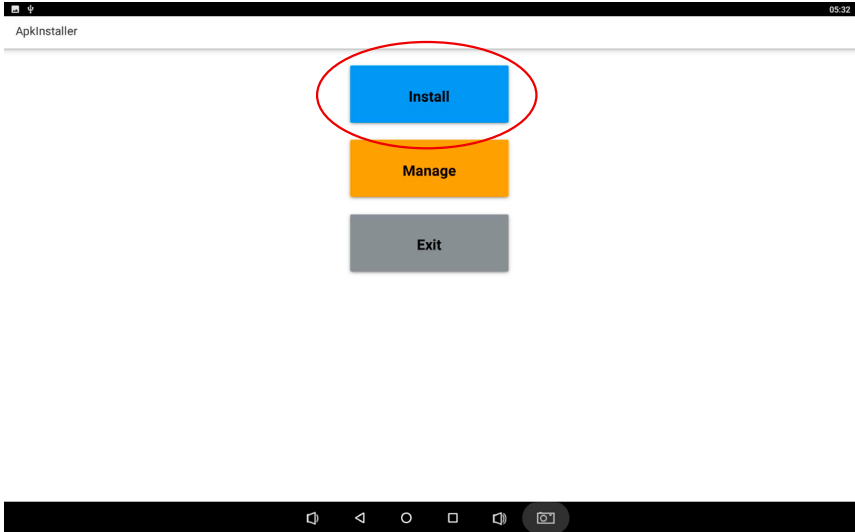


Step 1. Open the magnetic cover located on the back of the Command Center (CC) and locate the USB slot. Insert the USB flash drive with the .apk on it into the USB slot.

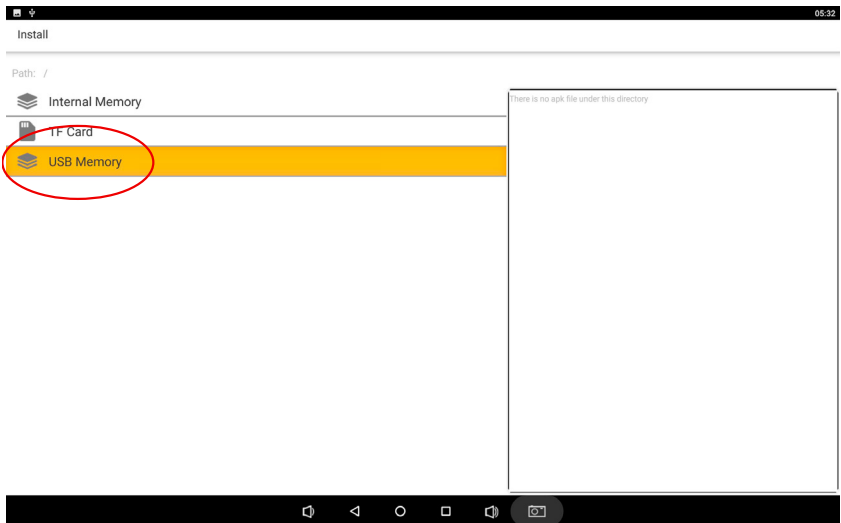


Step 2. Locate and select “ApkInstaller” or any other application.

Step 3. A window opens with 3 buttons. Select "Install".



Step 4. A folder tree becomes available, select "USB Memory".



Step 5. Select the application you wish to install to begin installing the .apk.

Step 6. A window appears asking to confirm the installation. Select "Install". The .apk installs. After a few minutes the installation is complete.



Step 10. You will find a switch on the back of the machine. After turning the device off, you can turn it back on again. The app will start automatically, and is now ready for customer use.



Problem	Solution
The display is installed but is not powering on	<ol style="list-style-type: none"> 1. Make sure that the power cable is not loose and connected to the power socket properly. 2. Disconnect the Command Center power cable from the power transfer cable and reconnect.
Video loop does not automatically play	<ol style="list-style-type: none"> 1. Make sure that the correct .apk is selected . 2. If the video loop does not play after proper .apk is selected, power off the display then power on again. 3. If problem persists, contact the number on the rear of this manual.
There is no sound coming from the Home, Mini or Max	<ol style="list-style-type: none"> 1. Make sure that the Home, Mini or Max is connected via the power cable located on the rear edge of Home and mini module and on the rear side of the Max module Lift up the magnetic cover on each module to make sure that the power cables are connected properly and are not loose. 2. Power off and power on the display. On the initial page select the tablet volume button and set the volume on the volume bar. 3. If problem persists contact the number located on the rear of this manual.
The Command Center screen does not respond after touch	<ol style="list-style-type: none"> 1. Reset the display and choose the correct .apk according to your configuration. 2. If the problem persists replace the Command Center with a new one. 3. If the problem is still not solved contact the phone number located on the rear of this manual.
There is no video content on the Command Center	<ol style="list-style-type: none"> 1. Reset the display and select the correct .apk for your configuration. 2. Make sure that the correct store information has been input into the page "Install set-up/retailer" section on the startup page.
There is no sound coming from the Command Center	<ol style="list-style-type: none"> 1. Power off and power on the display. On the initial page, select the tablet volume button and set the volume on the volume bar. 2. If problem persists contact the number located on the rear of this manual.
The connected modules have no power	<ol style="list-style-type: none"> 1. Make sure that the power cables are securely connected into the rear of the connected products 2. Lift the magnetic cover located behind the products and check to make sure that the power cable located in under the cover is connected securely.

Problem	Solution
I cannot flash the products/products fail to flash	<ol style="list-style-type: none"> 1. Retry the whole flashing process. 2. Insert the USB into your P.C/Laptop and clear the contents of the USB. Recopy the files onto the USB and retry the process. 3. Restart the display and try the flashing process again. 4. If the problem persists contact the number located on the rear of this manual.
After installation the whole display does not have power.	<ol style="list-style-type: none"> 1. Check to make sure that the command center power cable is connected securely and make sure that the PSU is connected to the power supply securely. 2. Power on and off the display. 3. If the problem persists contact the number on the back of this manual.
The display is not securely fastened to the display table	<ol style="list-style-type: none"> 1. If your display is mechanically installed: Remove the threaded rods from the display. Check to make sure that none of the rods are damaged or dirty. If dirty, clean the threaded rods and reinstall the rods. If the threaded rod is damaged replace the effected rod, reinstall the rod and reinstall the wing nut over it. 2. If your display is installed using stickers: Firmly push down the display onto the table for 20 seconds to adhere the display to the table more securely. 3. Remove the display from the table and clean the display table. Reinstall the display onto the table making sure you firmly push down for 20 seconds to adhere the display to the table. 4. If the problem persists contact the number located on the back of this manual.

OUTFORM™

For additional assistance, call 1-800-966-5194