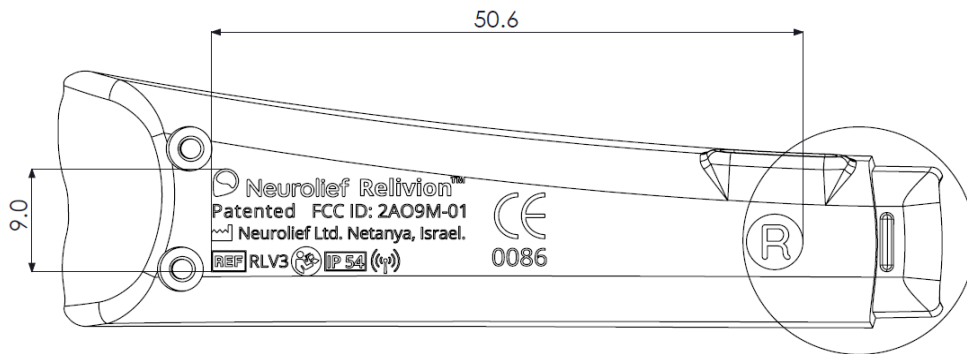


Label etching on side view of EUT



LABEL SAMPLE OF ETCHING ON DEVICE

