

TEST REPORT

Report No.: 18031164HKG-001

Shantou Florld Model Aircraft Co., Ltd.

Application For Certification
(Original Grant)

FCC ID: 2A09LFLORLDF16

Transmitter

Prepared and Checked by:

Approved by:

Signed On File
Leung Sung Tak, Andy
Engineer

Chan Chi Hung, Terry
Manager
Date: April 23, 2018

Intertek's standard Terms and Conditions can be obtained at our website <http://www.intertek.com/terms/>.

The test report only allows to be revised within the retention period unless further standard or the requirement was noticed.

This report is for the exclusive use of Intertek's Client and is provided pursuant to the agreement between Intertek and its Client. Intertek's responsibility and liability are limited to the terms and conditions of the agreement. Intertek assumes no liability to any party, other than to the Client in accordance with the agreement, for any loss, expense or damage occasioned by the use of this report. Only the Client is authorized to permit copying or distribution of this report and then only in its entirety. Any use of the Intertek name or one of its marks for the sale or advertisement of the tested material, product or service must first be approved in writing by Intertek. The observations and test results in this report are relevant only to the sample tested. This report by itself does not imply that the material, product, or service is or has ever been under an Intertek certification program.

© 2017 Intertek

TEST REPORT

GENERAL INFORMATION

Grantee:	Shantou Florld Model Aircraft Co., Ltd.
Grantee Address:	Meixin Industrial Zone, Kunmei Fengxiang Street, Chenghai, Shantou, Guangdong, China.
Contact Person:	Jiheng Xin
Tel:	86-0754-87211399
Fax:	N/A
e-mail:	N/A
Manufacturer:	Shantou Florld Model Aircraft Co., Ltd.
Manufacturer Address:	Meixin Industrial Zone, Kunmei Fengxiang Street, Chenghai, Shantou, Guangdong, China.
Brand Name:	Florld™
Model:	F16
Additional Model:	F16W, F20W, F8, F8W, F9, F10, F11, F11W, F12, F12W, F13, F13W, F14, F14W, F15, F17, F17W, F18, F18W, F18G, F19, F19W, F20, F20G, F20P, F21, F21W, F21G, F22, F22W, F22G, F23W, F23G, F24W, F24G, F25W, F25G, F26W, F26G, F27W, F27G, F28W, F28G, F29W, F29G, F30W, F30G, F31W, F31G, F32W, F32G
Type of EUT:	Transmitter
Description of EUT:	RC Drone
Serial Number:	N/A
FCC ID:	2AO9LFLORLDF16
Date of Sample Submitted:	March 23, 2018
Date of Test:	March 23, 2018 to April 18, 2018
Report No.:	18031164HKG-001
Report Date:	April 23, 2018
Environmental Conditions:	Temperature: +10 to 40°C Humidity: 10 to 90%

TEST REPORT

SUMMARY OF TEST RESULT

Test Specification	Reference	Results
Radiated Emission	15.249, 15.209	Pass
Radiated Emission on the Bandedge		
Radiated Emission in Restricted Bands	15.205	Pass

The equipment under test is found to be complying with the following standards:
FCC Part 15, October 1, 2016 Edition

- Note:
1. The EUT uses a permanently attached antenna which, in accordance to section 15.203, is considered sufficient to comply with the pervisions of this section.
 2. Pursuant to FCC part 15 Section 15.215(c), the 20 dB bandwidth of the emission was contained within the frequency band designated (mentioned as above) which the EUT operated. The effects, if any, from frequency sweeping, frequency hopping, other modulation techniques and frequency stability over excepted variations in temperature and supply voltage were considered.

TEST REPORT

TABLE OF CONTENTS

1.0 GENERAL DESCRIPTION5

1.1 Product Description5

1.2 Related Submittal(s) Grants.....5

1.3 Test Methodology5

1.4 Test Facility5

2.0 SYSTEM TEST CONFIGURATION6

2.1 Justification6

2.2 EUT Exercising Software6

2.3 Special Accessories.....6

2.4 Measurement Uncertainty6

2.5 Support Equipment List and Description6

3.0 EMISSION RESULTS.....7

3.1 Field Strength Calculation.....7

3.2 Radiated Emission Configuration Photograph.....8

3.3 Radiated Emission Data8

4.0 EQUIPMENT PHOTOGRAPHS12

5.0 PRODUCT LABELLING.....12

6.0 TECHNICAL SPECIFICATIONS12

7.0 INSTRUCTION MANUAL.....12

8.0 MISCELLANEOUS INFORMATION13

8.1 Radiated Emission on the Bandedge.....13

8.2 Discussion of Pulse Desensitization14

8.3 Calculation of Average Factor14

8.4 Emissions Test Procedures16

9.0 EQUIPMENT LIST19

TEST REPORT

1.0 GENERAL DESCRIPTION

1.1 Product Description

The Equipment Under Test (EUT) operates at frequency range from 2405MHz to 2475MHz with using the following channel, 2405MHz, 2445MHz, 2451MHz, 2454MHz, 2458MHz, 2462MHz, 2467MHz, 2570MHz and 2475MHz.

The EUT is powered by 4x 1.5V AA batteries.

The Model: F16W, F20W, F8, F8W, F9, F10, F11, F11W, F12, F12W, F13, F13W, F14, F14W, F15, F17, F17W, F18, F18W, F18G, F19, F19W, F20, F20G, F20P, F21, F21W, F21G, F22, F22W, F22G, F23W, F23G, F24W, F24G, F25W, F25G, F26W, F26G, F27W, F27G, F28W, F28G, F29W, F29G, F30W, F30G, F31W, F31G, F32W and F32G are the same as the Model: F16 in hardware aspect. The difference in model number serves as marketing strategy. The models are different in packaging only.

Antenna Type: Internal, Integral

For electronic filing, the brief circuit description is saved with filename: descri.pdf.

1.2 Related Submittal(s) Grants

This is a single application for certification of a transmitter.

1.3 Test Methodology

Radiated emission measurements were performed according to the procedures in ANSI C63.10 (2013). All radiated measurements were performed in an 3m Chamber. Preliminary scans were performed in the 3m Chamber only to determine worst case modes. All radiated tests were performed at an antenna to EUT distance of 3 meters, unless stated otherwise in the “**Justification Section**” of this Application.

1.4 Test Facility

The 3m Chamber facility used to collect the radiated data is located at Workshop No. 3, G/F., World-Wide Industrial Centre, 43-47 Shan Mei Street, Fo Tan, Sha Tin, N.T., Hong Kong. This test facility and site measurement data have been placed on file with the FCC.

TEST REPORT

2.0 SYSTEM TEST CONFIGURATION

2.1 Justification

The system was configured for testing in a typical fashion (as a customer would normally use it), and in the confines as outlined in ANSI C63.10 (2013).

The device was powered by new DC 6.0V (4 x 1.5V AA batteries).

For maximizing emissions, the EUT was rotated through 360°, the antenna height was varied from 1 meter to 4 meters above the ground plane, and the antenna polarization was changed. This step by step procedure for maximizing emissions led to the data reported in Exhibit 3.0.

The unit was operated standalone and placed in the center of the turntable.

The equipment under test (EUT) was configured for testing in a typical fashion (as a customer would normally use it). The EUT was mounted to a plastic stand if necessary and placed on the wooden turntable, which enabled the engineer to maximize emissions through its placement in the three orthogonal axes.

2.2 EUT Exercising Software

There was no special software to exercise the device. Once the unit is powered up, it transmits the RF signal continuously.

2.3 Special Accessories

There are no special accessories necessary for compliance of this product.

2.4 Measurement Uncertainty

When determining of the test conclusion, the Measurement Uncertainty of test has been considered.

Uncertainty and Compliance - Unless the standard specifically states that measured values are to be extended by the measurement uncertainty in determining compliance, all compliance determinations are based on the actual measured value.

2.5 Support Equipment List and Description

N/A.

TEST REPORT

3.0 EMISSION RESULTS

Data is included of the worst case configuration (the configuration which resulted in the highest emission levels). A sample calculation, configuration photographs and data tables of the emissions are included.

3.1 Field Strength Calculation

The field strength is calculated by adding the Antenna Factor and Cable Factor, and subtracting the Amplifier Gain (if any), Average Factor (optional) from the measured reading. The basic equation with a sample calculation is as follows:

$$FS = RA + AF + CF - AG - AV$$

where FS = Field Strength in dB μ V/m

RA = Receiver Amplitude (including preamplifier) in dB μ V

CF = Cable Attenuation Factor in dB

AF = Antenna Factor in dB

AG = Amplifier Gain in dB

AV = Average Factor in dB

In the following table(s), the reading shown on the data table reflects the preamplifier gain. An example for the calculations in the following table is as follows:

$$FS = RR + LF$$

where FS = Field Strength in dB μ V/m

RR = RA - AG - AV in dB μ V

LF = CF + AF in dB

Assume a receiver reading of 52.0 dB μ V is obtained. The antenna factor of 7.4 dB and cable factor of 1.6 dB are added. The amplifier gain of 29 dB and average factor of 5 dB are subtracted, giving a field strength of 32 dB μ V/m. This value in dB μ V/m was converted to its corresponding level in μ V/m.

$$RA = 52.0 \text{ dB}\mu\text{V/m}$$

$$AF = 7.4 \text{ dB}$$

$$CF = 1.6 \text{ dB}$$

$$AG = 29.0 \text{ dB}$$

$$AV = 5.0 \text{ dB}$$

$$FS = RR + LF$$

$$FS = 18 + 9 = 27 \text{ dB}\mu\text{V/m}$$

$$RR = 18.0 \text{ dB}\mu\text{V}$$

$$LF = 9.0 \text{ dB}$$

$$\text{Level in } \mu\text{V/m} = \text{Common Antilogarithm } [(27 \text{ dB}\mu\text{V/m})/20] = 22.4 \mu\text{V/m}$$

TEST REPORT

3.2 Radiated Emission Configuration Photograph

The worst case in radiated emission was found at 4950 MHz

For electronic filing, the worst case radiated emission configuration photographs are saved with filename: radiated photos.pdf.

3.3 Radiated Emission Data

The data on the following page lists the significant emission frequencies, the limit and the margin of compliance. Numbers with a minus sign are below the limit.

Judgment: Passed by 1.1 dB

TEST REPORT

RADIATED EMISSIONS

Model: F16

Date of Test: April 18, 2018

Worst-Case Operating Mode: Transmitting

Table 1
Pursuant to FCC Part 15 Section 15.249 Requirement

Lowest Channel

Polarization	Frequency (MHz)	Reading (dBμV)	Pre-Amp Gain (dB)	Antenna Factor (dB)	Net at 3m - Peak (dBμV/m)	Average Factor (dB)	Calculated at 3m (dBμV/m)	Average Limit at 3m (dBμV/m)	Margin (dB)
H	2405.000	95.4	33	29.4	91.8	31.1	60.7	94.0	-33.3
H	2400.000	69.0	33	29.4	65.4	31.1	34.3	54.0	-19.7
V	4810.000	67.4	33	34.9	69.3	31.1	38.2	54.0	-15.8
V	7215.000	54.7	33	37.9	59.6	31.1	28.5	54.0	-25.5
V	9620.000	52.0	33	40.4	59.4	31.1	28.3	54.0	-25.7
V	12025.000	43.4	33	40.5	50.9	31.1	19.8	54.0	-34.2
H	14430.000	14.3	33	40.0	52.4	31.1	21.3	54.0	-32.7

Polarization	Frequency (MHz)	Reading (dBμV)	Pre-Amp Gain (dB)	Antenna Factor (dB)	Net at 3m - Peak (dBμV/m)	Peak Limit at 3m (dBμV/m)	Margin (dB)
H	2405.000	95.4	33	29.4	91.8	114.0	-22.2
H	2400.000	69.0	33	29.4	65.4	74.0	-8.6
V	4810.000	67.4	33	34.9	69.3	74.0	-4.7
V	7215.000	54.7	33	37.9	59.6	74.0	-14.4
V	9620.000	52.0	33	40.4	59.4	74.0	-14.6
V	12025.000	43.4	33	40.5	50.9	74.0	-23.1
H	14430.000	45.4	33	40.0	52.4	74.0	-21.6

- NOTES:
1. Peak Detector Data unless otherwise stated.
 2. All measurements were made at 3 meters. Harmonic emissions not detected at the 3-meter distances were measured at 0.3-meter and an inverse proportional extrapolation was performed to compare the signal level to the 3-meter limit. No other harmonic emissions than those reported were detected at a test distance of 0.3-meter.
 3. Negative sign in the column shows value below limit.
 4. Horn antenna is used for the emission over 1000MHz.
 5. Emission (the row indicated by **bold italic**) within the restricted band meets the requirement of FCC Part 15 Section 15.205.
 6. Measurement Uncertainty is ±5.3dB at a level of confidence of 95%.

TEST REPORT

Model: F16

Date of Test: April 18, 2018

Worst-Case Operating Mode: Transmitting

Table 2
Pursuant to FCC Part 15 Section 15.249 Requirement

Middle Channel

Polarization	Frequency (MHz)	Reading (dB μ V)	Pre-Amp Gain (dB)	Antenna Factor (dB)	Net at 3m - Peak (dB μ V/m)	Average Factor (dB)	Calculated at 3m (dB μ V/m)	Average Limit at 3m (dB μ V/m)	Margin (dB)
H	2445.000	96.2	33	29.4	92.6	31.1	61.5	94.0	-32.5
V	4890.000	66.1	33	34.9	68.0	31.1	36.9	54.0	-17.1
V	7335.000	52.8	33	37.9	57.7	31.1	26.6	54.0	-27.4
V	9780.000	48.4	33	40.4	55.8	31.1	24.7	54.0	-29.3
H	12225.000	43.8	33	40.5	51.3	31.1	20.2	54.0	-33.8
H	14670.000	47.2	33	38.4	52.6	31.1	21.5	54.0	-32.5

Polarization	Frequency (MHz)	Reading (dB μ V)	Pre-Amp Gain (dB)	Antenna Factor (dB)	Net at 3m - Peak (dB μ V/m)	Peak Limit at 3m (dB μ V/m)	Margin (dB)
H	2445.000	96.2	33	29.4	92.6	114.0	-21.4
V	4890.000	66.1	33	34.9	68.0	74.0	-6.0
V	7335.000	52.8	33	37.9	57.7	74.0	-16.3
V	9780.000	48.4	33	40.4	55.8	74.0	-18.2
H	12225.000	43.8	33	40.5	51.3	74.0	-22.7
H	14670.000	47.2	33	38.4	52.6	74.0	-21.4

- NOTES:
1. Peak Detector Data unless otherwise stated.
 2. All measurements were made at 3 meters. Harmonic emissions not detected at the 3-meter distances were measured at 0.3-meter and an inverse proportional extrapolation was performed to compare the signal level to the 3-meter limit. No other harmonic emissions than those reported were detected at a test distance of 0.3-meter.
 3. Negative sign in the column shows value below limit.
 4. Horn antenna is used for the emission over 1000MHz.
 5. Emission (the row indicated by **bold italic**) within the restricted band meets the requirement of FCC Part 15 Section 15.205.
 6. Measurement Uncertainty is ± 5.3 dB at a level of confidence of 95%.

TEST REPORT

Model: F16

Date of Test: April 18, 2018

Worst-Case Operating Mode: Transmitting

Table 3
Pursuant to FCC Part 15 Section 15.249 Requirement

Highest Channel

Polarization	Frequency (MHz)	Reading (dBμV)	Pre-Amp Gain (dB)	Antenna Factor (dB)	Net at 3m - Peak (dBμV/m)	Average Factor (dB)	Calculated at 3m (dBμV/m)	Average Limit at 3m (dBμV/m)	Margin (dB)
H	2475.000	98.8	33	29.4	95.2	31.1	64.1	94.0	-29.9
H	2483.500	67.5	33	29.4	63.9	31.1	32.8	54.0	-21.2
V	4950.000	71.0	33	34.9	72.9	31.1	41.8	54.0	-12.2
V	7425.000	52.9	33	37.9	57.8	31.1	26.7	54.0	-27.3
V	9900.000	48.7	33	40.4	56.1	31.1	25.0	54.0	-29.0
H	12375.000	43.2	33	40.5	50.7	31.1	19.6	54.0	-34.4
H	14850.000	15.8	33	38.4	52.3	31.1	21.2	54.0	-32.8

Polarization	Frequency (MHz)	Reading (dBμV)	Pre-Amp Gain (dB)	Antenna Factor (dB)	Net at 3m - Peak (dBμV/m)	Peak Limit at 3m (dBμV/m)	Margin (dB)
H	2475.000	98.8	33	29.4	95.2	114.0	-18.8
H	2483.500	67.5	33	29.4	63.9	74.0	-10.1
V	4950.000	71.0	33	34.9	72.9	74.0	-1.1
V	7425.000	52.9	33	37.9	57.8	74.0	-16.2
V	9900.000	48.7	33	40.4	56.1	74.0	-17.9
H	12375.000	43.2	33	40.5	50.7	74.0	-23.3
H	14850.000	46.9	33	38.4	52.3	74.0	-21.7

- NOTES:
1. Peak Detector Data unless otherwise stated.
 2. All measurements were made at 3 meters. Harmonic emissions not detected at the 3-meter distances were measured at 0.3-meter and an inverse proportional extrapolation was performed to compare the signal level to the 3-meter limit. No other harmonic emissions than those reported were detected at a test distance of 0.3-meter.
 3. Negative sign in the column shows value below limit.
 4. Horn antenna is used for the emission over 1000MHz.
 5. Emission (the row indicated by **bold italic**) within the restricted band meets the requirement of FCC Part 15 Section 15.205.
 6. Measurement Uncertainty is ±5.3dB at a level of confidence of 95%.

TEST REPORT

4.0 EQUIPMENT PHOTOGRAPHS

For electronic filing, the photographs are saved with filename: external photos.pdf and internal photos.pdf.

5.0 PRODUCT LABELLING

For electronics filing, the FCC ID label artwork and the label location are saved with filename: label.pdf.

6.0 TECHNICAL SPECIFICATIONS

For electronic filing, the block diagram and schematic of the tested EUT are saved with filename: block.pdf and circuit.pdf respectively.

7.0 INSTRUCTION MANUAL

For electronic filing, a preliminary copy of the Instruction Manual is saved with filename: manual.pdf.

This manual will be provided to the end-user with each unit sold/leased in the United States.

TEST REPORT

8.0 MISCELLANEOUS INFORMATION

The miscellaneous information includes details of the test procedure and measured bandwidth / calculation of factor such as pulse desensitization and averaging factor (calculation and timing diagram).

8.1 Radiated Emission on the Bandedge

The test data of bandedge emissions were shown on the above radiated emissions table 1 & table 3 respectively.

Emissions radiated outside of the specified frequency bands, except harmonics, are attenuated by 50dB below the level of the fundamental or to the general radiated emissions limits in Section 15.209 , whichever is the lesser attenuation, which meet the requirement of part 15.249(d).

TEST REPORT

8.2 Discussion of Pulse Desensitization

Pulse desensitivity is not applicable for this device. The effective period (Teff) is approximately 0.4ms for a digital "1" bit which illustrated on technical specification, with a resolution bandwidth (3dB) of 1MHz, so the pulse desensitivity factor is 0dB.

8.3 Calculation of Average Factor

The duty cycle is simply the on-time divided by the period:

The duration of one cycle = 100 ms

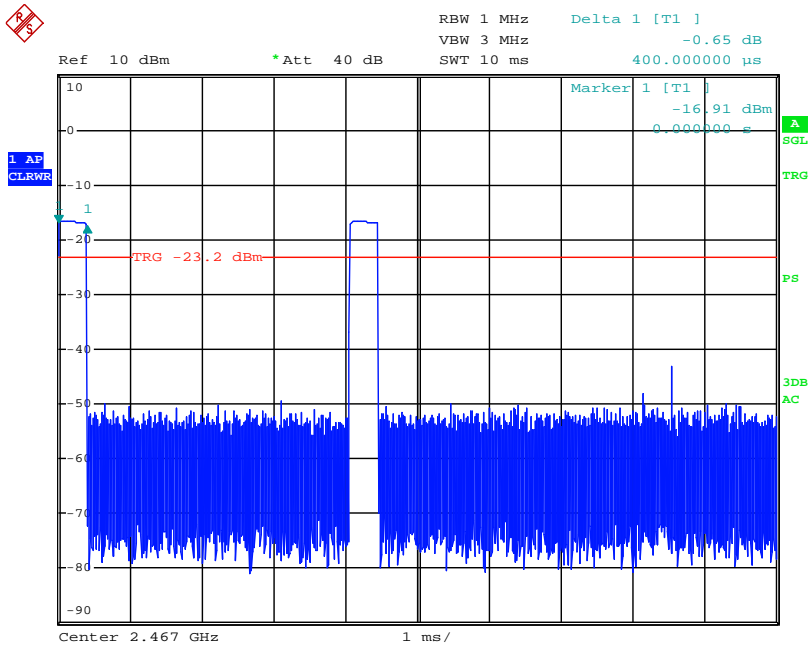
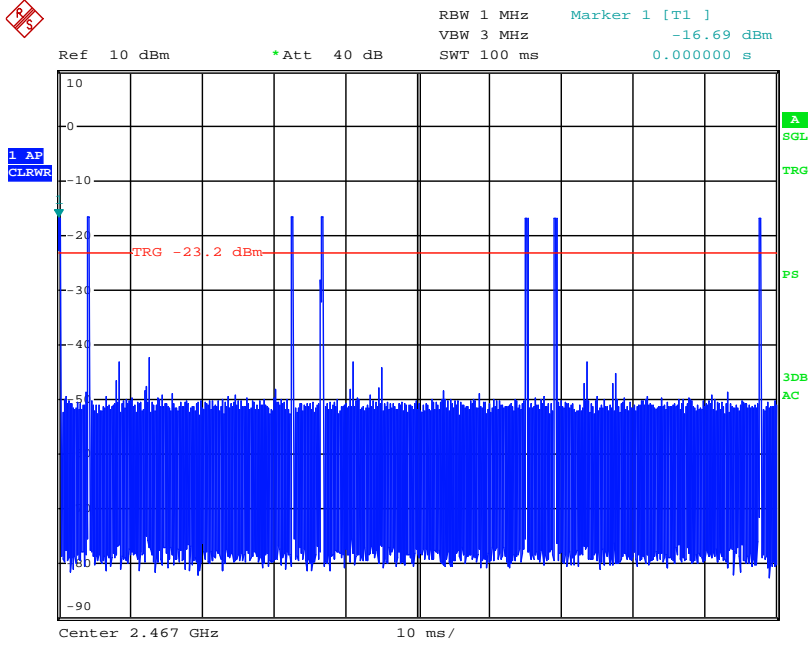
Effective period of the cycle = $7 \times 0.4 = 2.8$ ms

DC = $2.8/100 = 0.028$

Therefore, the averaging factor is found by $20 \log 0.028 = -31.1$ dB.

TEST REPORT

AVERAGE FACTOR



TEST REPORT

8.4 Emissions Test Procedures

The following is a description of the test procedure used by Intertek Testing Services Hong Kong Ltd. in the measurements of transmitter operating under the Part 15, Subpart C rules.

The transmitting equipment under test (EUT) is placed on a wooden turntable which is four feet in diameter and approximately 0.8m in height above the ground plane for emission measurement at or below 1GHz and 1.5m in height above the ground plane for emission measurement above 1GHz. During the radiated emissions test, the turntable is rotated and any cables leaving the EUT are manipulated to find the configuration resulting in maximum emissions. The EUT is adjusted through all three orthogonal axis to obtain maximum emission levels. The antenna height and polarization are also varied during the testing to search for maximum signal levels. The height of the antenna is varied from one to four meters.

Detector function for radiated emissions is in peak mode. Average readings, when required, are taken by measuring the duty cycle of the equipment under test and subtracting the corresponding amount in dB from the measured peak readings. A detailed description for the calculation of the average factor can be found in Exhibit 8.3.

The frequency range scanned is from the lowest radio frequency signal generated in the device which is greater than 9 kHz to the tenth harmonic of the highest fundamental frequency or 40 GHz, whichever is lower.

TEST REPORT

8.4 Emissions Test Procedures (cont'd)

The EUT is warmed up for 15 minutes prior to the test.

AC power to the unit is varied from 85% to 115% nominal and variation in the fundamental emission field strength is recorded. If battery powered, a new, fully charged battery is used.

Conducted measurements were made as described in ANSI C63.10 (2013).

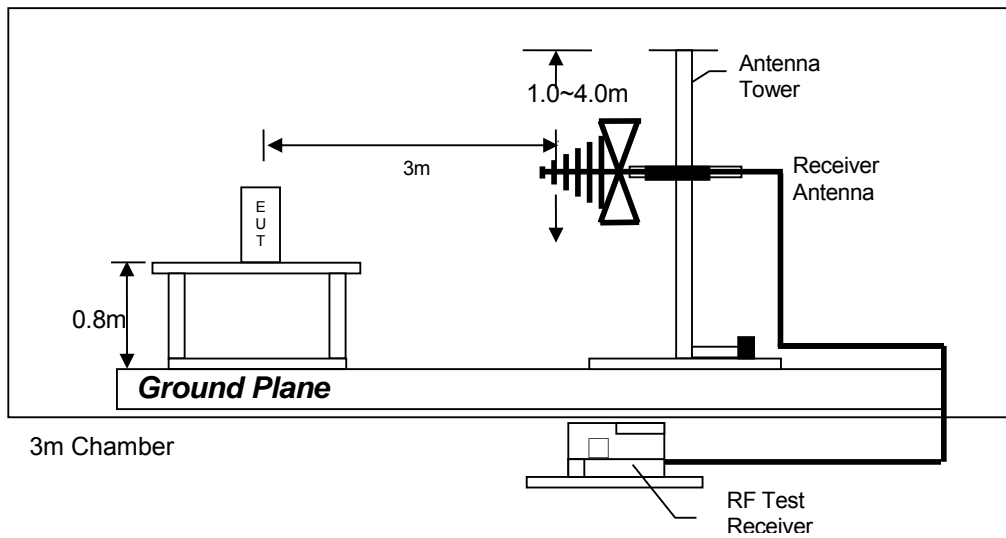
The IF bandwidth used for measurement of radiated signal strength was 100 kHz or greater when frequency is below 1000 MHz. Where pulsed transmissions of short enough pulse duration warrant, a greater bandwidth is selected according to the recommendations of Hewlett Packard Application Note 150-2. A discussion of whether pulse desensitivity is applicable to this unit is included in this report (See Exhibit 8.1). Above 1000 MHz, a resolution bandwidth of 3 MHz is used.

Transmitter measurements are normally conducted at a measurement distance of three meters. However, to assure low enough noise floor in the forbidden bands and above 1 GHz, signals are acquired at a distance of one meter or less. All measurements are extrapolated to three meters using inverse scaling, unless otherwise reported. Measurements taken at a closer distance are so marked.

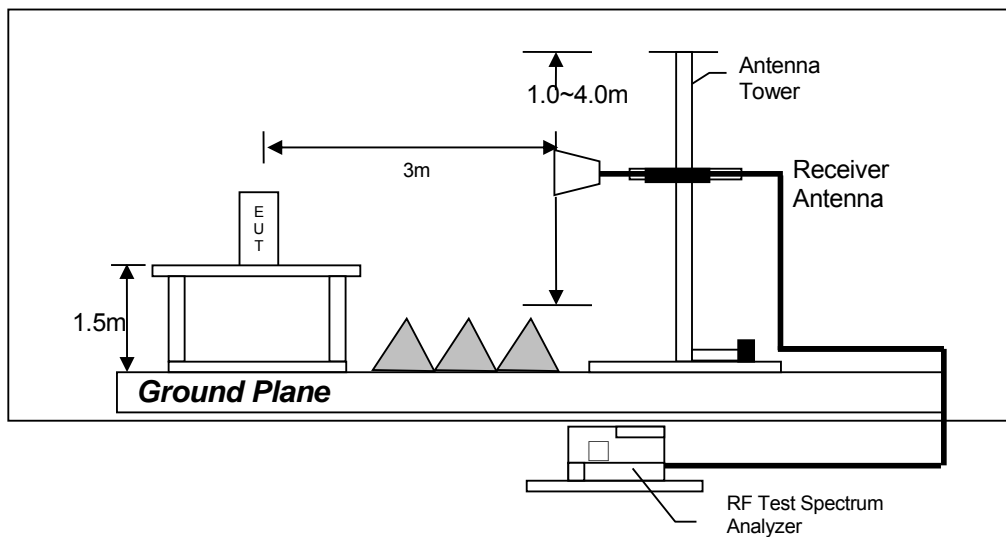
TEST REPORT

8.4.1 Radiated Emission Test Setup

The figure below shows the test setup, which is utilized to make these measurements.



Test setup of radiated emissions up to 1GHz



Test setup of radiated emissions above 1GHz

TEST REPORT

9.0 EQUIPMENT LIST

1) Radiated Emissions Test

Equipment	Emi Test Receiver	Log Periodic Antenna	Biconical Antenna
Registration No.	EW-3156	EW-1042	EW-2512
Manufacturer	R&S	EMCO	EMCO
Model No.	ESCI	3146	3104C
Calibration Date	November 10, 2017	June 19, 2017	November 16, 2016
Calibration Due Date	November 10, 2018	December 19, 2019	May 16, 2018

Equipment	Double Ridged Guide Antenna	14m Double Shield Rf Cable (20MHz To 6GHz)	Rf Cable 14m (1GHz To 26.5GHz)
Registration No.	EW-0194	EW-2505	EW-2781
Manufacturer	EMCO	RADIALL	GREATBILLION
Model No.	3115	nm / br5d / sma 14m	SMA m/SHF5MPU /SMA m ra14m,26G
Calibration Date	March 14, 2018	October 30, 2017	September 25, 2017
Calibration Due Date	September 14, 2018	October 30, 2018	September 25, 2018

Equipment	Solid State Low Noise Preamplifier Assembly (1 - 18)GHz	Rf Pre-Amplifier 3 Pcs (9kHz To 40GHz)
Registration No.	EW-3229	EW-3006
Manufacturer	BONN ELEKTRO	SCHWARZBECK
Model No.	BLMA 0118-5G	BBV 9718 BBV9744 BBV 9721
Calibration Date	January 30, 2018	March 15, 2018
Calibration Due Date	January 30, 2019	March 15, 2019

2) Bandedge Measurement

Equipment	Spectrum Analyzer
Registration No.	EW-2329
Manufacturer	R&S
Model No.	FSP3
Calibration Date	September 28, 2017
Calibration Due Date	September 28, 2018

END OF TEST REPORT