

# W6 Wristband Beacon

## Product Brief



Designed with wearable bracelet shape, also integrated with 3-axis accelerometer sensor, W6 Wristband Beacon can be available for the scenarios of personnel tracking, access management and indoor location-based service.

### Personnel tracking ensures the safety of patient and employee

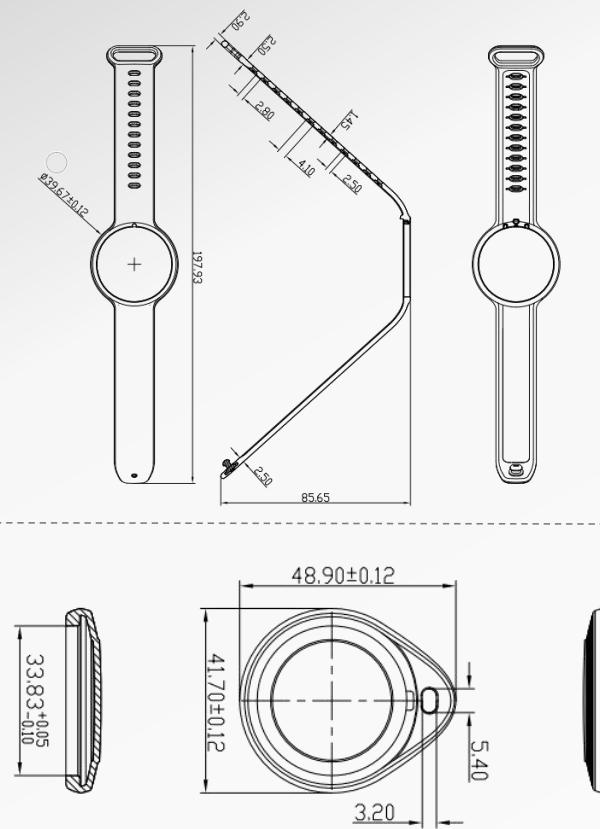
- Stable advertising signal makes it easy to track and locate your patients, employees and students.
- Emergency button to notify emergency situations, task completion, or other predefined events in time.

### Marketing promotion

- ✓ Personnel tracking.
- ✓ Multiple wearing style.
- ✓ Rugged wearable design with IP67 waterproof.
- ✓ Rechargeable lithium battery.
- ✓ Access control management.

### All-round service to save your time and costs to market quickly

- Certified for USA (FCC), Europe (CE) including REACH and RoHS environmental regulation
- All other worldwide certifications can be customized
- Branding, Logo, Label, Packaging, Manufacture parameters, strap, even hardware and firmware are all customizable



## General Features

Main Chip	Nordic nRF52810
Bluetooth	Bluetooth 4.2 (hardware compatible with bluetooth 5)
Range	Up to 150 meters (in the open area and no obstacles)
Dimension	48.9mm x 41.7mm x 12mm (Main body)
Antenna Type	PCB Onboard
Material	ABS+PC & TPU
Waterproof	IP67
Color	White
Installation	Wrist wear, Keychain, Hang, Neck chain
Button	Mechanical button
LED	Single RED LED
Sensor	3-axis accelerometer sensor (optional) Mifare Classic 1k EV1 RFID
Operating temperature	-20°C / + 60°C
Storage temperature	-20°C / + 70°C (without battery) 10°C / + 25°C (with battery)
Humidity	0% ~ 95% (non-condensing)

## Functions

Advertising format	Apple iBeacon Google Eddystone (UID, URL, TLM) MOKO BeaconX Pro sensor data ( with 3-axis G-sensor)
Multi-advertising	Support up to 6 active slots (Beacon can broadcasts different advertising packets separately)
Configurable list	Advertising format and data/ Beacon name Tx Power/ Advertising interval Connection password/ Trigger options/ Sensor parameters
Proximity promotion	Calculate the distances through RSSI and push specified advertising promotion information
Sensor sampling	Broadcast or notify the 3-axis G-sensor data in real time (with 3-axis G-sensor)
SOS emergency (Button trigger)	Two or three times to click the button to change the advertising status and data for emergency help
Firmware update	Nordic DFU OTA/ J-link
Configuration APP	iOS and Android are available Scanning the advertising data and connecting to configure all parameters Open APP SDK for customer to develop

## Power

Power supply	Replaceable CR2032 Lithium Coin Cell Battery 220mAh
Average current	15.6uA (Default settings*)
Lifetime	13 months (Default settings*)

*Default settings - 1 active slot, 1000ms ADV interval, 0 dBm Tx power and without 3-axis sensor.*

## Service and Customization

Certification	USA (FCC), Europe (CE-RED, CE-LVD, CE-EMC, REACH, RoHS ) Other certifications can be customized
Manufacture customization	MP Pre-configuration parameters Packaging/ Laser logo/ Label/ Sensor/ Strap/ RFID
Development	Custom firmware development Customer firmware programing Custom hardware design and layout



# Contact Us

## MOKO TECHNOLOGY LTD.

Add: 4F, Building2, Guanghui Technology Park,  
MinQing Rd, Longhua, Shenzhen, Guangdong, China

Tel: 86-75523573370

Fax: 86-75523573370-808

E-mail: [Support\\_BLE@mokotechnology.com](mailto:Support_BLE@mokotechnology.com)

Website: [www.mokoblue.com](http://www.mokoblue.com)

[www.mokosmart.com](http://www.mokosmart.com)



**MOKO SMART**

FCC Caution:

This device complies with part 15 of the FCC Rules. Operation is subject to the following two conditions: (1) This device may not cause harmful interference, and (2) this device must accept any interference received, including interference that may cause undesired operation.

Any changes or modifications not expressly approved by the party responsible for compliance could void the user's authority to operate the equipment.

NOTE: This equipment has been tested and found to comply with the limits for a Class B digital device, pursuant to Part 15 of the FCC Rules. These limits are designed to provide reasonable protection against harmful interference in a residential installation. This equipment generates, uses and can radiate radio frequency energy and, if not installed and used in accordance with the instructions, may cause harmful interference to radio communications. However, there is no guarantee that interference will not occur in a particular installation.

If this equipment does cause harmful interference to radio or television reception,

which can be determined by turning the equipment off and on, the user is encouraged to try to correct the interference by one or more of the following measures:

- Reorient or relocate the receiving antenna.
- Increase the separation between the equipment and receiver.
- Connect the equipment into an outlet on a circuit different from that to which the receiver is connected.
- Consult the dealer or an experienced radio/TV technician for help.

The device has been evaluated to meet general RF exposure requirement. The device can be used in portable exposure condition without restriction.

FCC ID: 2AO94-W6