

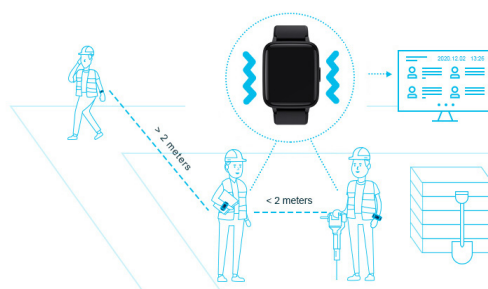
The sample is too small, the label is too large, the LABEL can only be placed in the instruction manual

## INTRODUCTION



W5-CT Series Contact Tracing Wristband is a special designed product by MOKO Smart based on Bluetooth® Low Energy concurrent central & peripheral technology to realize safety social proximity distance amid the COVID-19 pandemic.

When one wearer approaching within 2 meters to another one, both two wristbands will alert the wearers with vibration and LED flashing in real-time, and record the proximity time and wristband device information in device memory.



User can use the “MOKO Tracker+” APP (both available for Android and iOS) to do the personalize settings to meet the actual using. It can be pre-configured or self-configured with the BLE device name, iBeacon parameters, Advertising Tx power and Tracking filtered RSSI (relate to the Approaching distance detect), Advertising interval and Sleeping time trigger of Advertising/Tracking (relate to the power saving), and also can build a white-list of the familiar wristband wearers to reduce the alert times.

## FEATURES

- \* Approaching distance detect
- \* Vibration and LED flashing alerts in real-time
- \* Rechargeable battery via Magnetic charging thimble
- \* Integrated RFID
- \* Integrated 3-axis accelerometer sensor
- \* Contact time and information record in device
- \* Contact data can export
- \* Up to 65535 data count in device storage
- \* Highly flexible pre-configured or self-configured settings in Advertising and Tracking
- \* Bluetooth® LE 4.2
- \* Nordic® nRF52832 chipset
- \* Support Apple Standard iBeacon
- \* Low power alert
- \* Configuration APP available for iOS and Android
- \* APP SDK for Customer Development
- \* IP67 protection to support short-time in wash
- \* OTA

## APPLICATIONS

### User Cases:

Contact Tracing, Visitor Tracking, Wayfinding, Indoor Navigation, Staff Management...

### Industries:

Hospital, Nursing House, School, Stadium, Institution and Business entity...

## SPECIFICATIONS

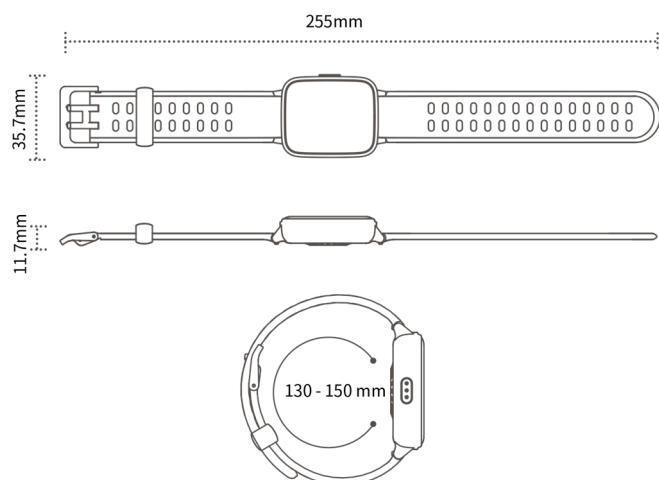
Specification Items		Description & Typical Value
General purpose		Proximity alert, Contact tracing
Bluetooth® specs	Chipset	Nordic® nRF52832
	Version	Bluetooth® 4.2
	Range	Up to 160 meters (Open area) <sup>①</sup>
	Advertising Tx Power	0dBm default, adjustable in range -40/-20/-16/-12/-8/-4/-0.05dBm
	Firmware Update	Yes, OTA
Battery Specs	Type	651920 Lithium polymer battery
	Capacity	230mAH, Rechargeable via Magnetic charging thimble
	Single Charge Life	3 days <sup>②</sup>
Advertising Specs	iBeacon	UUID, Major, Minor, RSSI@1m, ADV Tx power, ADV interval
	Device Information	BLE device name, MAC address, Charging state
Tracking Spec	Tracking Settings	Tracking scan window, Scan interval , Tracking sleeping time trigger, Tracking filter, Tracking white list, Device ignoring period, Alert method
	Data Record	Record data format, Recorded data can export
Other Available Functions		Remaining battery power, Advertising sleeping time trigger, Remaining memory, Motion trigger
Physical Properties	Dimensions (L×W×H)	255.0 × 35.7 × 11.7 mm
	Weight	32g (with battery)
	Material	PC & TPU & Glass
	Color	Black
	Sensor	3-axis accelerometer
	RFID	13.56MHz MIFARE Desfire EV1 or Customized
	Button	Mechanical button on panel side
	LED	RGB LED on front panel
	Vibration	Built-in vibration motor
Environmental Requirements	Operating Temperature	-20 ~ 60°C
	Humidity	0 ~ 95%RH (noncondensing)
Certifications		FCC, CE, REACH, RoHS, other certifications can be customized

**Note:**

① The 160 meters maximum long range is tested in wild & open area. In specific application, the maximum long range might be different from this typical value.

② This typical value was tested with both Advertising and Scanning are enabled.

## DIMENSIONS



### Label Position

**Bluetooth Beacon**

**Mode: W5**

**FCC ID: 2A094-W5**

The sample is too small, the label is too large, the LABEL can only be placed in the instruction manual

## FCC STATEMENT

1. This device complies with Part 15 of the FCC Rules. Operation is subject to the following two conditions:

(1) This device may not cause harmful interference.

(2) This device must accept any interference received, including interference that may cause undesired operation.

2. Changes or modifications not expressly approved by the party responsible for compliance could void the user's authority to operate the equipment.

NOTE: This equipment has been tested and found to comply with the limits for a Class B digital device, pursuant to Part 15 of the FCC Rules. These limits are designed to provide reasonable protection against harmful interference in a residential installation. This equipment generates uses and can radiate radio frequency energy and, if not installed and used in accordance with the instructions, may cause harmful interference to radio communications.

However, there is no guarantee that interference will not occur in a particular installation. If this equipment does cause harmful interference to radio or television reception, which can be determined by turning the equipment off and on, the user is encouraged to try to correct the interference by one or more of the following measures:

Reorient or relocate the receiving antenna.

Increase the separation between the equipment and receiver.

Connect the equipment into an outlet on a circuit different from that to which the receiver is connected.

Consult the dealer or an experienced radio/TV technician for help.

### FCC Radiation Exposure Statement

This equipment complies with FCC radiation exposure limits set forth for an uncontrolled environment. This equipment should be installed and operated with minimum distance 5mm between the radiator & your body.

*The contents of this datasheet are subject to change without prior notice for further improvement. MOKO SMART team reserves*