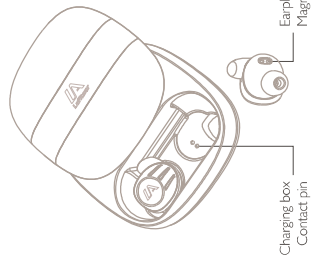


Charging



Earphones

1. LED indicator will be white when charging and turn OFF when is fully charged. Charging time is about 1.5 hours.
2. Low Battery: White light on the earphones will be ON every 5 sec and "Low battery" message will be announced intermittently until the earphone is out of battery.

Charging Box

1. Use the Type C cable to charge the charging box.
2. Four lights will be on when the battery of charging box is full.

FAQ

1. Your earphones could not be found on your device's bluetooth menu:
Clear all your bluetooth connection on the device and re-open the bluetooth menu and search the LT8 again.
2. There's break or interruption during your call or music playing. Earphones may be out of battery. Place them into the battery box and get them charged.
Distance between your device and earphone may exceed 10 meters (33 feet). Keep both of them in reasonable range. There may be large obstacle between your device and earphone that affects the signal, for example, the wall.
L and R may be not synchronized paired. Place them into the charging box to re-start the earphone.

Factory reset

During pairing mode, touch 3 times on L and R, "Memory cleared, pairing" message will be announced. Factory reset complete. Place the earphone in the charging box and take them out. Your earphones will be activated again and then they will be available to pair with your device.

Cautions

1. Please keep and use the product under normal circumstances.
2. Only charge the battery in accordance to the instructions provided by the company.
3. DO NOT disassemble the product in any way to avoid electric shock.
4. DO NOT clean the product with any chemical solvents.
5. DO NOT throw away or put it in high temperature (> 60°C or 140°F) to avoid any danger.
6. Disposal of battery should comply with local environmental regulations.

Designed by Lafaudio
Manufacturer: Lafaudio Co., Ltd.
Made in China
Email: Laf@lafaudio.com



LT8 BLUETOOTH EARPHONE User Manual

Specifications

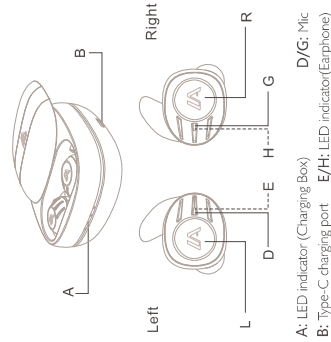
Speaker: 6mm	Battery of earbuds: 50mAh
Waterproof: IPX5	Battery of cabin: 1000mAh
Power input: DC5V	Charging time for earbud: 1.5-hours
Bluetooth version:5.0	Standby time: 800-hours
Play time: 5-hours (10 times for each fully charged from charging box)	

Selecting earbuds

If your music sounds low or lacks bass, try different ear tips. (3 sets of ear tips are included, make sure you can get the best fit, comfort and sound.)



Function



A: LED indicator (Charging Box)

B: Type-C charging port

D/G: Mic

E/H: LED indicator(Earphone)

Power ON(Manual): Hold 2 sec on L and R

Power OFF(Manual): Hold 5 sec on L and R

Play/Pause: Touch once on L or R

Previous Track: Hold 2 sec on L

Next Track: Hold 2 sec on R

Voice Message: Touch twice on L or R

Answer Call: Touch once on L or R

End Call: Touch once on L or R

Reject Call: Hold 2 sec on L or R

Pairing

1. Take out the earphones from the packaging and place them in the charging box. Your earphones will be activated and white light on the earphones will be ON.
2. Take out your earphones from the charging box. Blue lights flashes once, then white light and blue light flash in an alternating pattern. L and R pair successfully.
3. Open the Bluetooth menu on the device you wish to pair (usually located in the settings > Bluetooth). If needed, select "search for devices", add new device", or "refresh". Select "LT8" and allow pairing to complete and you will hear "Connected".
Note: If the earphones do not connect with your device in 10 mins, your earphone will turn off automatically.
4. After use, put your earphones in the charging box to power OFF automatically.
5. To use your earphones again, just take out the earphones from the charging box. The earphones will automatically complete the binaural pairing and connect with your device automatically.

Monaural Use

L or R could be used as a monaural earphone. Monaural call is also supported for both sides.

FCC Statement

Changes or modifications not expressly approved by the party responsible for compliance could void the user's authority to operate the equipment. This equipment has been tested and found to comply with the limits for a Class B digital device, pursuant to

Part 15 of the FCC Rules. These limits are designed to provide reasonable protection against harmful interference in a residential installation. This equipment generates uses and can radiate radio frequency energy and, if not installed and used in accordance with the instructions, may cause harmful interference to radio communications. However, there is no guarantee that interference will not occur in a particular installation. If this equipment does cause harmful interference to radio or television reception, which can be determined by turning the equipment off and on, the user is encouraged to try to correct the interference by one or more of the following measures. — Reorient or relocate the receiving antenna.

— Increase the separation between the equipment and receiver.
— Connect the equipment into an outlet on a circuit different from that to which the receiver is connected. — Consult the dealer or an experienced radio/TV technician for help

This device complies with part 15 of the FCC rules. Operation is subject to the following two conditions

- (1) This device may not cause harmful interference, and
- (2) This device must accept any interference received, including interference that may cause undesired operation.