

# netvue

## Orb Cam Mini Quick Guide

NI-3421

# Catalogue

1. Warning	P. 1
2. What's In The Box	P. 2
3. Camera Structure	P. 3-4
4. Read Before Installing	P. 5
5. Set Up With Netvue App	P. 6
6. Mount Your Orb Cam Mini	P. 7-10
7. Netvue Protect Plan	P. 11

**FCC Caution:** Any changes or modifications not expressly approved by the party responsible for compliance could void the user's authority to operate this equipment. This device complies with Part 15 of the FCC Rules. Operation is subject to the following two conditions:

- (1) This device may not cause harmful interference, and
- (2) this device must accept any interference received, including interference that may cause undesired operation.

This device and its antenna(s) must not be co-located or operating in conjunction with any other antenna or transmitter.

1. This equipment should be installed and operated with minimum distance 20cm between the radiator and your body.

**NOTE:**

This equipment has been tested and found to comply with the limits for a Class B digital device, pursuant to Part 15 of the FCC Rules.

These limits are designed to provide reasonable protection against harmful interference in a residential installation. This equipment generates, uses and can radiate radio frequency energy and, if not installed and used in accordance with the instructions, may cause harmful interference to radio communications.

However, there is no guarantee that interference will not occur in a particular installation.

If this equipment does cause harmful interference to radio or television reception, which can be determined by turning the equipment off and on, the user is encouraged to try to correct the interference by one or more of the following measures:

- Reorient or relocate the receiving antenna.
- Increase the separation between the equipment and receiver.
- Connect the equipment into an outlet on a circuit different from that to which the receiver is connected.
- Consult the dealer or an experienced radio/TV technician for help.

FCC ID: 2AO8RNI-3421

# What's In The Box



Quick Guide



Mounting Bracket



Hex Bolt



Ejector Pin



Drilling Template



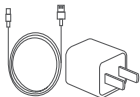
X 2

Anchors

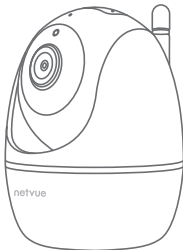


X 2

Mounting Screws

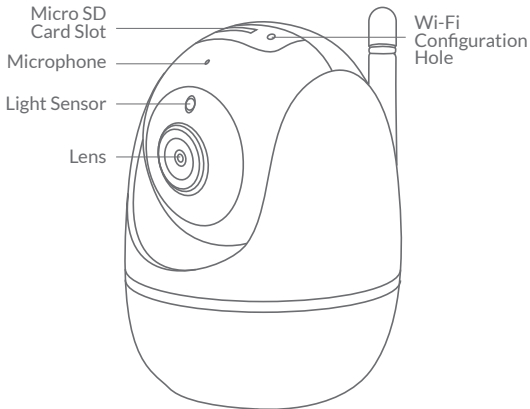


Power Adapter

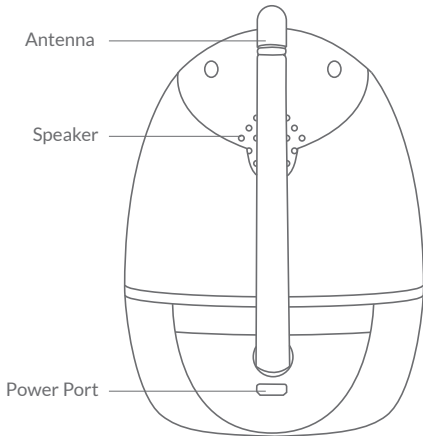


Orb Cam Mini 2

# Camera Structure



Front



Back

# Read Before Installing

1. Keep Orb Cam Mini and all accessories out of reach of children and pets.
2. Orb Cam Mini comes with a power adapter. If you prefer other power adapters, please make sure that they allow a DC5V power supply voltage.
3. Working temperature: -10°C to 50°C (14°F to 122°F)  
Working relative humidity: 0-95%
4. Please do not expose the camera lens to direct sunlight.

## Note:

1. Netvue Orb Cam Mini only works with 2.4GHz Wi-Fi.
2. Strong lights may interfere with the device's ability to scan QR code.
3. Avoid placing the device behind furniture or near microwaves. Try to keep it within range of your Wi-Fi signal.

# Set Up With Netvue App



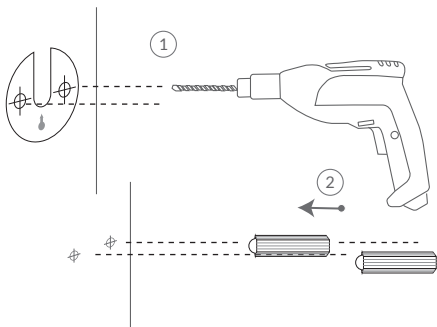
Download Netvue App from App Store or Google Play. Follow the in-app instruction to complete the entire set up process.



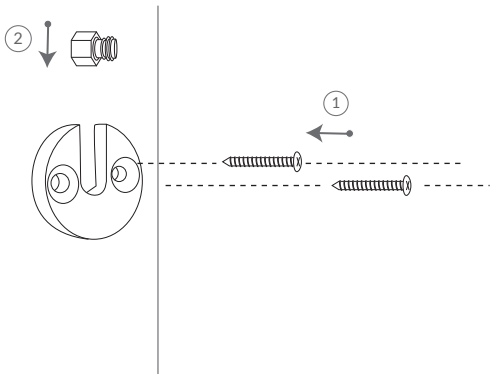
# Mount Your Orb Cam Mini

If you are going to install camera on wood, just skip this step.

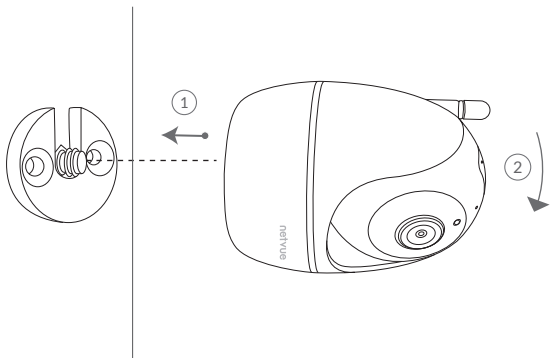
If you are going to install camera on concrete or brick:



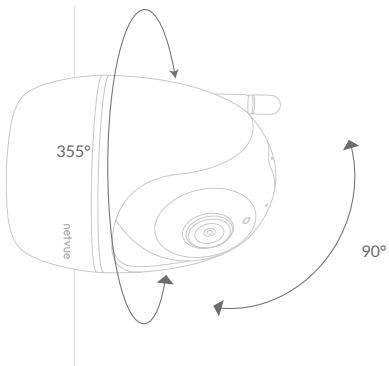
1. Use the provided drilling template to mark the position of holes on your wall. Use drill bit ( $15/64"$ , 6mm) to drill two holes, and then install anchors to hold screws.



2. Install the Mounting Bracket with the Screws provided.  
And then place the Hex Bolt into the Mounting Bracket.



3. Tighten Orb Cam Mini to the Hex Bolt.



4. Now you can turn around your Orb Cam Mini horizontally and vertically using Netvue App.

# Netvue Protect Plan

Netvue Protect Plan provides optional advanced features for those with higher security needs, and each plan supports multiple devices.



Continuous Video Recording  
Event Video Recording  
Human Detection

...

Visit [my.netvue.com](https://my.netvue.com) to learn more.

# netvue

Feel free to contact us for additional help:



[support@netvue.com](mailto:support@netvue.com)



1(866)749-0567



[@NetvueTech](https://www.facebook.com/NetvueTech)



Netvue Forum  
[netvue.com/community](https://netvue.com/community)



in-App Chat

[www.netvue.com](https://www.netvue.com)

240 W Whitter Blvd Ste A, La Habra, CA 90631

© 2010-2020 NETVUE, INC