



**netvue**

Home Cam 2 Quick Guide

# Warning

This equipment has been tested and found to comply with the limits for a Class B digital device, pursuant to Part 15 of the FCC Rules. These limits are designed to provide reasonable protection against harmful interference when the equipment is operated in a commercial environment. This equipment generates uses and can radiate radio frequency energy and, if not installed and used in accordance with the instructions, may cause harmful interference to radio communications.

The antennas used for this transmitter must be installed to provide a separation distance of at least 20 cm from all persons and must not be co-located for operating in conjunction with any other antenna or transmitter. FCC (USA) 15.9 prohibition against eavesdropping except for the operations of law enforcement officers conducted under lawful authority, no person shall use, either directly or indirectly, a device operated pursuant to the provision of this part for the purpose of overhearing or recording the private conversations of other unless such use is authorized by all of the parties engaging in the conversation.

**FCC ID 2AO8RNI-3341**

**CE RED**

This product can be used across EU member states.

# What's In The Box



Drilling Template



Screws



Anchors



Ejector Pin



Quick Guide

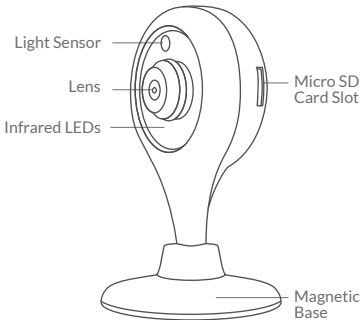


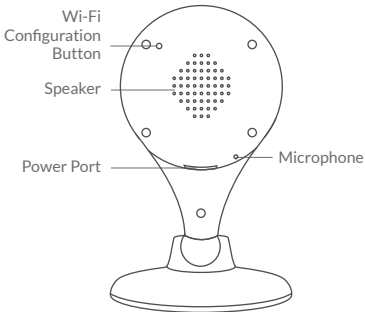
Power Adapter



Home Cam 2

# Camera Structure





# Read Before Installing

1. Keep Home Cam 2 and all accessories out of reach of children and pets.
2. Home Cam 2 comes with a power adapter. If you prefer other power adapters, please make sure that they allow a DC5V power supply voltage, and an electric current not less than 1A .
3. Working temperature: -10°C to 50°C (14°F to 122°F)  
Working relative humidity: 0-95%
4. Please do not expose the camera lens to direct sunlight.

## Note:

1. Netvue Home Cam 2 only works with 2.4GHz Wi-Fi.
2. Strong lights may interfere with the device's ability to scan QR code.
3. Avoid placing the device behind furniture or near microwaves. Try to keep it within range of your Wi-Fi signal.

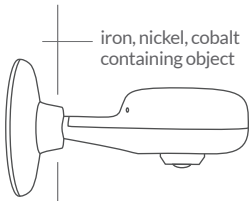
# Set Up With Netvue App



Download Netvue App from App Store or Google Play. Follow the in-app instruction to complete the entire set up process.

## Mount Your Home Cam 2

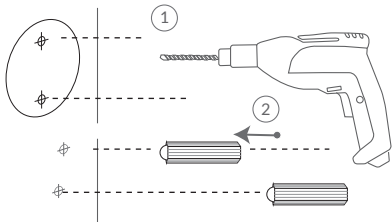
Put your Home Cam 2 just anywhere you want-on the wall, under the ceiling, or directly on the desktop.



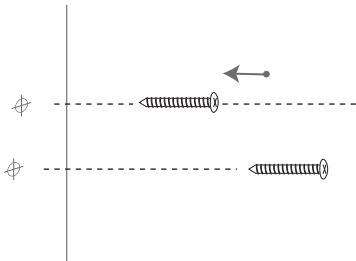
With the magnetic base, Home Cam 2 can be attached to the surface of any iron, nickel, cobalt-containing object, such as refrigerator, whiteboard, dishwasher and filing cabinet.



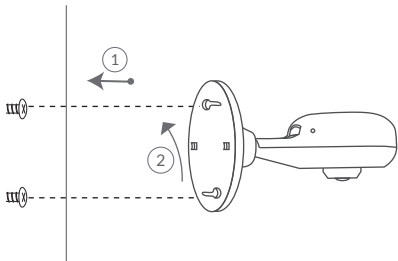
# Install on the Wall



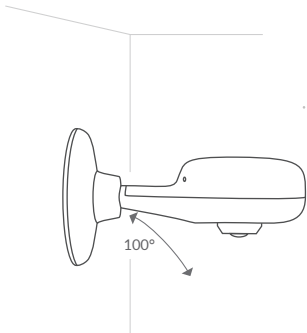
1. Use the provided drilling template to mark the position of holes on your wall. Use drill bit (15/64", 6mm) to drill two holes, and then install anchors to hold screws.



2. Install the Mounting Bracket on your wall with the Screws provided.



3. Point the hole at the bottom to the nail and turn it counterclockwise.



4. Now it is all set, you could rotate it 100 degrees up and down.

# Netvue Protect Plan

Netvue Protect Plan provides optional advanced features for those with higher security needs, and each plan supports multiple devices.



Continuous Video Recording  
Event Video Recording  
Human Detection

...

Visit [my.netvue.com](https://my.netvue.com) to learn more.

# netvue

Feel free to contact us for additional help

 [support@netvue.com](mailto:support@netvue.com)

 Netvue Forum

 in-App Chat

 [@NetvueTech](#)

 1(866)749-0567



Netvue Web Client

[www.netvue.com](http://www.netvue.com)

240 W Whitter Blvd Ste A, La Habra, CA 90631

© 2010-2021 NETVUE, INC

FCC Caution: Any changes or modifications not expressly approved by the party responsible for compliance could void the user's authority to operate this equipment.

This device complies with part 15 of the FCC Rules. Operation is subject to the following two conditions: (1) this device may not cause harmful interference, and (2) this device must accept any interference received, including interference that may cause undesired operation.

This device and its antenna(s) must not be co-located or operating in conjunction with any other antenna or transmitter.

NOTE: This equipment has been tested and found to comply with the limits for a Class B digital device, pursuant to Part 15 of the FCC Rules. These limits are designed to provide reasonable protection against harmful interference in a residential installation. This equipment generates, uses and can radiate radio frequency energy and, if not installed and used in accordance with the instructions, may cause harmful interference to radio communications. However, there is no guarantee that interference will not occur in a particular installation.

If this equipment does cause harmful interference to radio or television reception, which can be determined by turning the equipment off and on, the user is encouraged to try to correct the interference by one or more of the following measures:

- Reorient or relocate the receiving antenna.
- Increase the separation between the equipment and receiver.
- Connect the equipment into an outlet on a circuit different from that to which the receiver is connected.
- Consult the dealer or an experienced radio/TV technician for help.

To maintain compliance with FCC's RF Exposure guidelines, This equipment should be installed and operated with minimum distance between 20cm the radiator your body: Use only the supplied antenna.