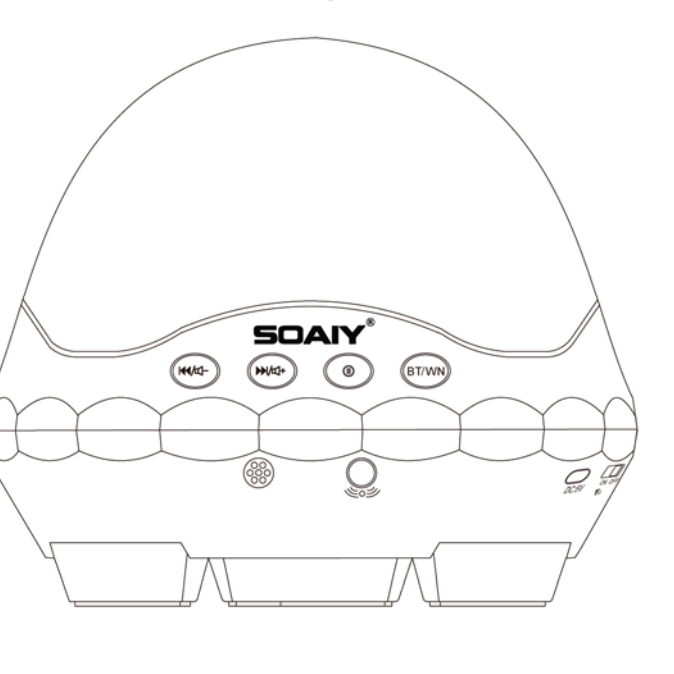


## Smart Star Light Projector

### User Manual

#### TYD02



### 1. Unboxing Check

Thank you for purchasing our products, please read the instruction manual carefully before use. Instruction manual contains necessary safety advice and user instructions, follow the instruction manual to operate in order to avoid damaging the product for misuse. Check whether the product is damaged or not when you receive the product.

### 2. Package list

Music Star Light x 1  
Remote Controller x 1  
USB Cable x 1

User Manual x1  
USB Power Adapter x 1

### 3. Notice

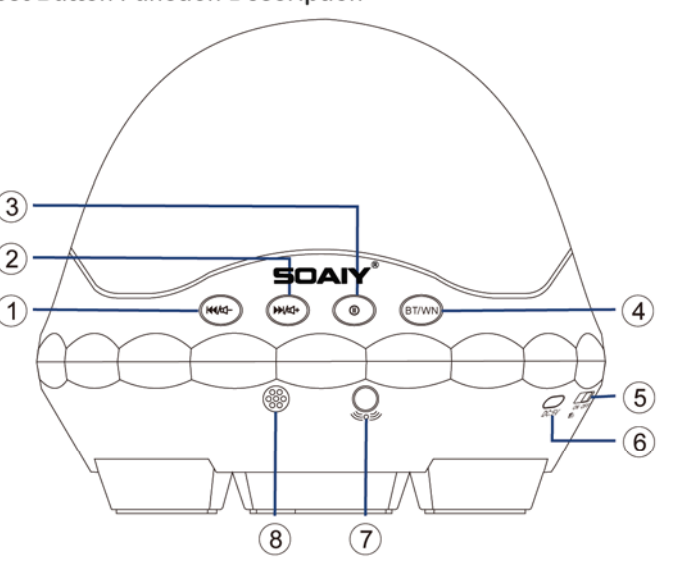
- Strictly in accordance with the instructions of this operation, do not disassemble the host and accessories.
- This product is suitable for indoor use, please do not use laser source directly in eyes and keep away from children.
- The product is projected by LED and laser combinations.
- This product only supports 2.4GHz Wi-Fi, not 5GHz Wi-Fi.

### 4. How to use

- Indoor use, projecting in the sky direction.
- How to use the light projector, as shown below.
- Connect Bluetooth "TYD02" of the smart phone to play music.
- Use correct method of the remote control to make sure the remote control is pointing at the infrared sensor which is the "Remote Receiving Area" on the host.

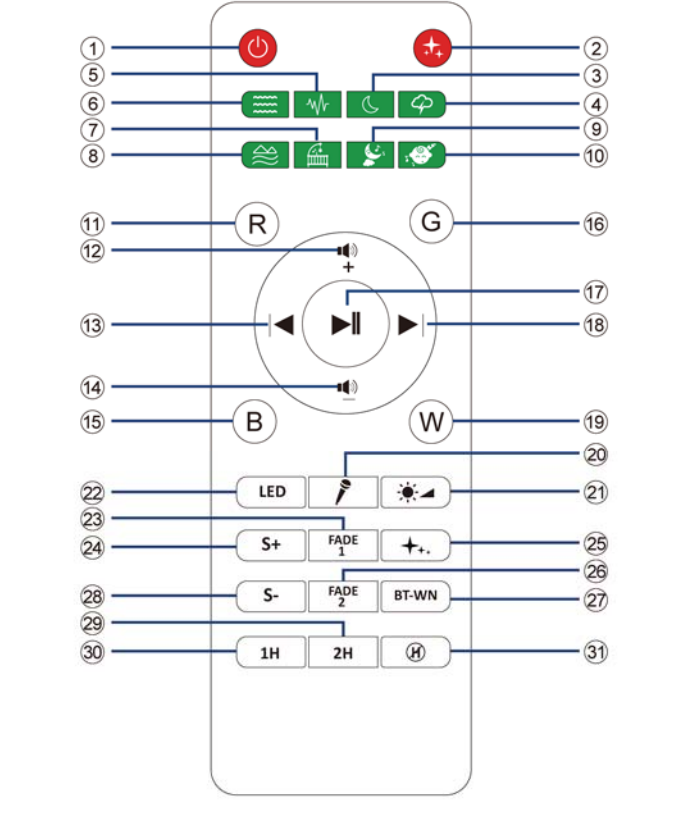
### 5. Manual Mode

#### Host Button Function Description



No.	Function	Description	Notice
1	BT/WN	Bluetooth/White Noise exchange	
2	Power ON/OFF	Slide ON/OFF the device	1. Power-on default status: blue light rotating + stars light flashing + moon light always bright 2. The product has a 4-hour default automatic shutdown function. It will automatically shutdown after 4 hours of work (4 hours without cycling).
3	DC Input	5V/2A	
4	Remote Signal Window	Remote control signal receiving window, repositioned remote control distance requires 10 meters	Two (AAA) batteries need to be installed in the remote. Purchase the batteries by yourself!
5	Sound Signal Window	When the device is placed to the sound receiving mode, the light will flash and jump according to the intensity of the sound, the sound receiving distance may vary slightly	Sound receiving distance: 30cm-1m (depending on the external volume, the sound receiving distance may vary slightly)

#### Remote Control Function Description



No.	Function	Description	Notice
1	Power ON/OFF	Short press ON/OFF music star projector	1. Power-on default status: blue light rotating + stars light flashing + moon light keeps bright 2. The product has a 4-hour default automatic shutdown function. It will automatically shutdown after 4 hours of work (4 hours without cycling)
2	Star/Moon Modes	Short press adjust the star light or moon light	Short press this button to display in mode: stars on moon off/moon on star off/stars and moon all off-stars and moon all on
3	White Noise	Can independently control 6 white noise modes	1. Summer Night 2. Thunder 3. Ocean Waves 4. Lullaby 01 5. Brook 6. Lullaby 02 7. Lullaby 03 8. Brook 9. Lullaby 02 10. Lullaby 03
4	'R' Button	'R': Control the red light	Press, Red light ON. Press again, Red light OFF
5	Volume +	Increase volume. Short press by step, long press by stepless	
6	Previous Song	Short press play previous song	Available in both status: Normal Mode & Bluetooth Mode
7	'G' Button	'G': Control the green light	Press, Blue light ON. Press again, Blue light OFF
8	Volume -	Reduce volume. Short press by step, long press by stepless	
9	'B' Button	'B': Control the blue light	Press, Green light ON. Press again, Green light OFF
10	'W' Button	'W': Control the white light	Press, Green light ON. Press again, Green light OFF
11	Play/Pause	Short press to Play/Pause music	Press, music play; Press again, music pause
12	Next Song	Short press play next song	Available in both mode: Normal Mode & Bluetooth Mode


No.	Function	Description	Notice
1	LED Brightness	Short press adjust the star light brightness	(1) The brightness can be adjusted in 10%-40%-70%-100%. (2) The default brightness is 100%
2	LED Light	Short press ON/OFF the LED light	
3	RGBW Single Color Cycle	Short press light mode: sequentially in RGB-BW single color mode	
4	Rotating Speed	Rotating Speed by	Four Gear: Stop-Slow-Medium-Fast
5	Star Effect	Short press change the stars into breathing/breathing on	
6	RGBW Double Color Cycle	Short press light mode: sequentially in RGB-BW+Y double color mode	
7	Bluetooth/White Noise	Short press to switch Bluetooth/White Noise	
8	Rotating Speed	Short press increase Rotating Speed by step	Four Gear: Stop-Slow-Medium-Fast
9	Timer 2H	2 hours	When setting success, LED Light/Star/Moon flash 3 times

### 6. Wi-Fi Mode

#### A. Wi-Fi Setting:

- Check your phone Wi-Fi "On", or the product won't be connected.
- Enable the location information on your phone, or it cannot show the connected Wi-Fi name.
- Connect your phone to a 2.4GHz network and other frequencies is not supported.
- In Wi-Fi mode, you can only adjust the light effects (except the Bluetooth mode).

1. Download the APP by scanning the following QR Codes (Notes: The same operations on the following two APPs. Let us take "Smart Life" APP for an example):

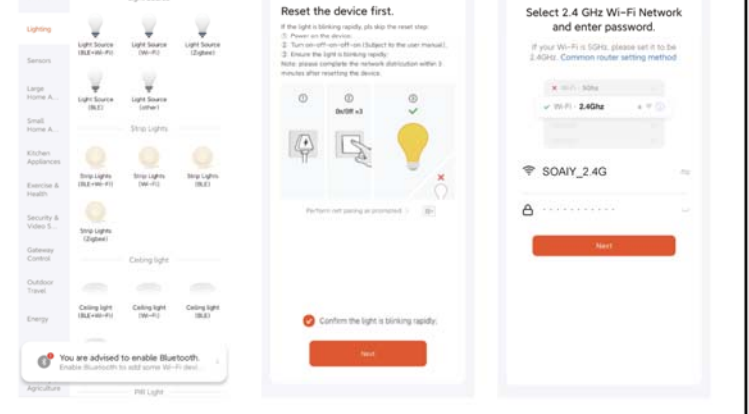


Smart Life      Tuya Smart

2. Search "Smart Life" APP through Google Play (For Android) or APP Store (For Apple-iOS) and download it

- Register and log in to the APP
- Open the "Smart Life" APP
- Log in your account and password. Please register a new account on first use
- Configuration
  - Connect the power supply of this star projector and the host default status is "OFF" switch
  - Connect to the Wi-Fi. Slides repeatedly for 3 times with the following steps: OFF-WIFI-OFF-WIFI-OFF-WIFI, keep the host switch in "WIFI" till the indicator light shows white and fast-flashing. Note: the interval of the power switch sliding should not exceed 10 seconds

**B. Turn on "Smart Life" APP:** click "Add Device", select "Lighting", select "Light Source (BLE-Wi-Fi)", choose your home Wi-Fi and enter password (if applicable), and click "Next" (Note: Connect your phone to 2.4GHz network router, 5GHz network is not supported).

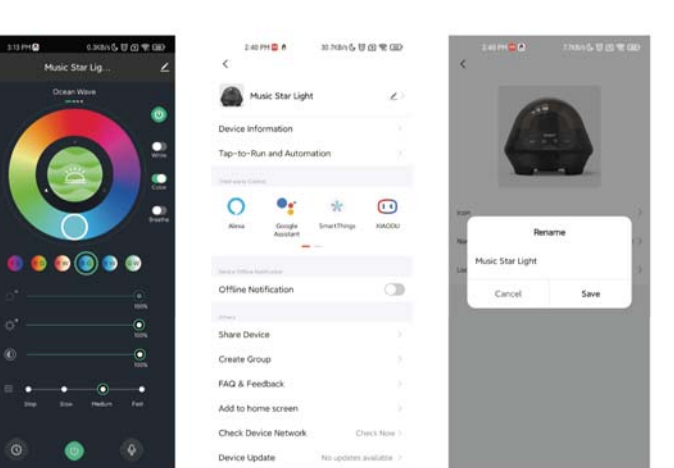


**C. Then entering the configuration process.** Once connected, it will "Device added successfully" that is the Music Star Light has been connected successfully.

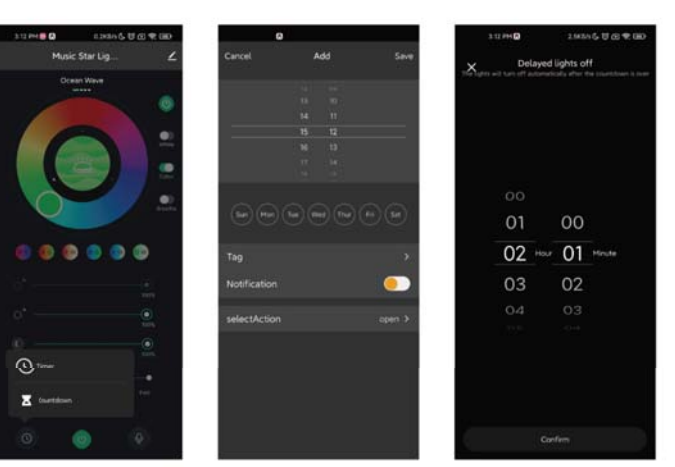
-01-      -02-      -03-      -04-      -05-      -06-      -07-      -08-      -09-

### 7. APP Functions

- Click the "Music Star Light" icon to enter the APP, click the "Power Switch" icon you can turn off the device, click the "ESR" icon you can customize the product name, and click "Voice" icon turn on the voice control function.

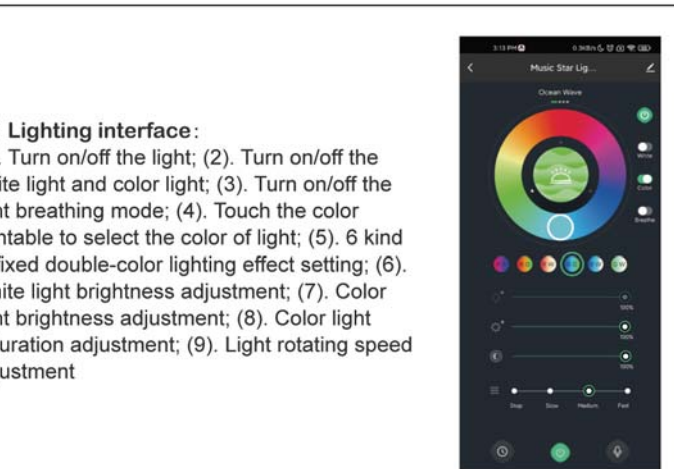


Click the "Timer" icon, turn on the device timer: the device can be automatically turned off within the customized time (Note: the product default working time is 4 hours, when the setting time is more than 4 hours, it will prompt to set invalid)



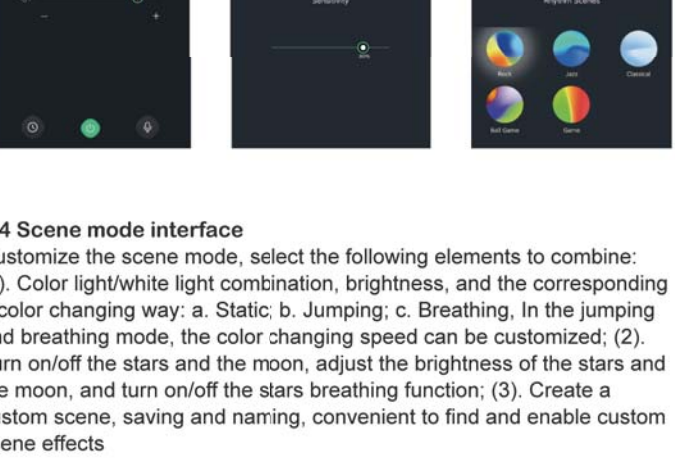
#### 2.1 Lighting interface:

- Turn on/off the light.
- Turn on/off the white light and color light.
- Turn on/off the light breathing mode.
- Touch the color turntable to select the color of light.
- 6 kind of fixed double-color lighting effect setting.
- White light brightness adjustment.
- Color light saturation adjustment.
- Color light saturation adjustment.
- Light rotating speed adjustment



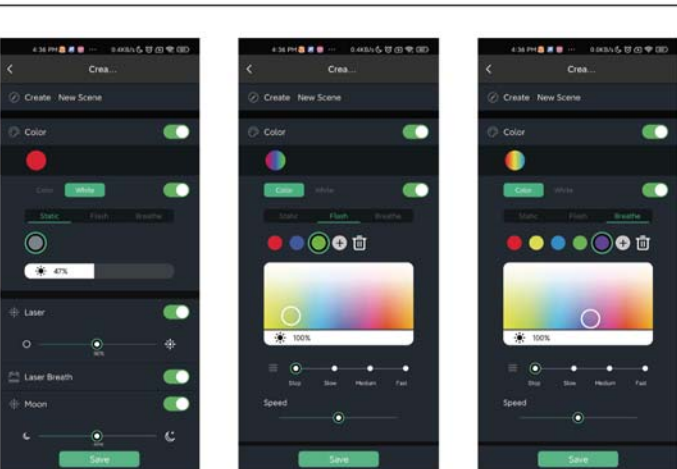
#### 2.2 Stars interface:

- Turn on/off the stars and moon.
- Turn on/off the stars.
- Turn on/off the breathing mode of the star.
- Turn on/off the moon.
- Adjust the brightness of the stars.
- Adjust the brightness of the moon



#### 2.3 Music interface:

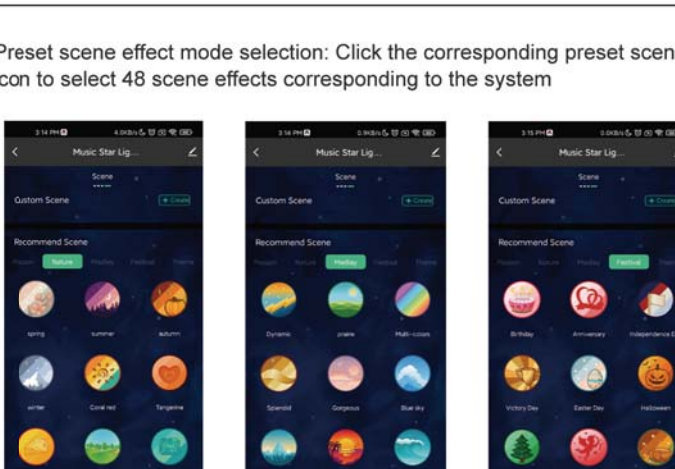
- Play/Pause music, switch the previous/next song.
- Adjust the volume.
- Select the rhythm scene, the light dances with the music in the rhythm scene, and the rhythm sensitivity can be adjusted at the same time.



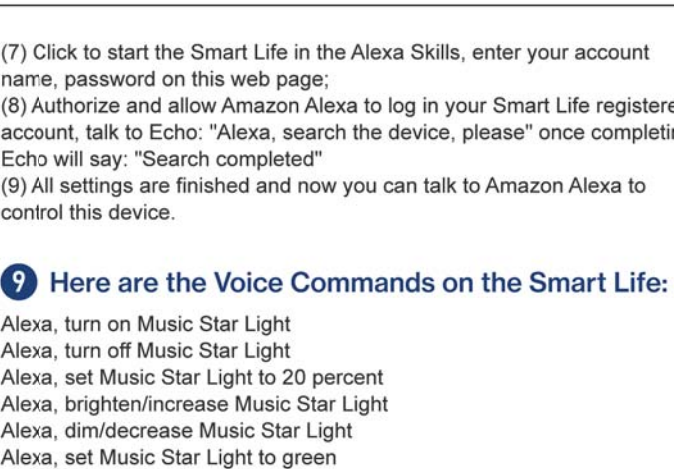
#### 2.4 Scene mode interface

Customize the scene mode, select the following elements to combine:

- Color light/white light combination, brightness, and the corresponding 3 color changing way, a. Static, b. Jumping, c. Breathing. In the jumping and breathing mode, the color changing speed can be customized.
- Turn on/off the stars and the moon, adjust the brightness of the stars and the moon, and turn on/off the stars breathing function.
- Create a custom scene, naming and naming, convenient to find and enable custom scene effects



Preset scene effect mode selection: Click the corresponding preset scene icon to select 48 scene effects corresponding to the system



#### Wi-Fi Mode

- Search "Smart Life" APP through Google Play (For Android) or APP Store (For Apple-iOS) and download it.
- Open the APP and register a new account or log in (If you have registered)
- Turn on "Smart Life" APP and connect to the network.
- Necessary Note: You can use the "Smart Life" APP to rename the product. For example, if you want to rename the Music Star Light to "Livingroom Light", please find this device in step 9 so that Echo will receive the updated name.
- Download "Amazon Alexa" APP through Amazon Market, Google Play or iOS APP Store, and connect the Echo with "Amazon Alexa"
- Search "Smart Life" in the Amazon Alexa Skills.

- Click to start the Smart Life in the Alexa Skills, enter your account name, password on this web page.
- Authorize and allow Amazon Alexa to log in your Smart Life registered account, talk to Echo: "Alexa, search the device, please" once completing, Echo will say: "Search completed"
- All settings are finished and now you can talk to Amazon Alexa to control this device.

#### Here are the Voice Commands on the Smart Life:

Alexa, turn on Music Star Light  
Alexa, turn off Music Star Light  
Alexa, set Music Star Light to 20 percent  
Alexa, brighten/increase Music Star Light  
Alexa, dim/decrease Music Star Light  
Alexa, set Music Star Light to green

#### Troubleshooting for Network Configuration

- Verify the Wi-Fi password in the following ways  
Open the Wi-Fi list on your phone, click the Wi-Fi name and ignore it, then reconnect and enter the password again to ensure connecting successfully. If not, please use the right Wi-Fi password.
- If your phone cannot show your home Wi-Fi, please check if the location information on your phone is enabled.
- Please check if your phone is connected with 2.4GHz network (other frequencies is not supported).
- Please check the Wi-Fi name cannot contain Chinese, blank and special characters.
- Please check whether the Wi-Fi password is empty, it can up to a maximum of 63 characters and try to avoid using special characters.
- When in connection, please keep the product close to the network router at a distance of 5 meters.

### Specifications:

Host Material	ABS
Input Rated Voltage	5V DC
Maximum Power	18W/2.0A
Projection Light Source	LED Light bead / laser light source
Projector Light Source Wavelength	Red light beads (620-650nm), green light beads (520-530nm), blue light beads (460-480nm), white light beads color temperature: 1500-15500K green light wavelength (532nm)
Projection Distance	2-10M
Projection Area	This projection area is 120m at a distance of 9M and 200m at a distance of 3M
Motor	Starting Voltage 3V with 1-2 mm
Horn Parameters	403W x1
Input Power	100-240V AC 50/60Hz 2.0A (Work together with power adapter)
Operating Temperature	20-50 °C/4-122°F
Storage Temperature	20-60 °C/4-140°F
Horn Model	J3000
Bluetooth	Bluetooth 5.0
Wi-Fi	Support Wi-Fi 2.4GHz
FCC ID	2AKGMYD02

### FCC Caution:

§ 15.19 Labeling requirements.  
This device complies with part 15 of the FCC Rules. Operation is subject to the following two conditions: (1) This device may not cause harmful interference, and (2) this device must accept any interference received, including interference that may cause undesired operation.

§ 15.21 Information to user.  
Any Changes or modifications not expressly approved by the party responsible for compliance could void the user's authority to operate the equipment.

§ 15.105 Information to the user.  
Note: This equipment has been tested and found to comply with the limits for a Class B digital device, pursuant to part 15 of the FCC Rules. These limits are designed to provide reasonable protection against harmful interference in a residential installation. This equipment generates uses and can radiate radio frequency energy and, if not installed and used in accordance with the instructions, may cause harmful interference to radio communications. However, there is no guarantee that interference will not occur in a particular installation. If this equipment does cause harmful interference to radio or television reception, which can be determined by turning the equipment off and on, the user is encouraged to try to correct the interference by one or more of the following measures:  
-Reorient or relocate the receiving antenna.  
-Increase the separation between the equipment and receiver.  
-Connect the equipment into an outlet on a circuit different from that to which the receiver is connected.  
-Consult the dealer or an experienced radio/TV technician for help.  
NOTE: This device and its antenna(s) must not be co-located or operation in conjunction with any other antenna or transmitter

**RF Exposure Statement**  
To maintain compliance with FCC's RF Exposure guidelines, this equipment should be installed and operated with minimum distance of 20cm from your body. This device and its antenna(s) must not be co-located or operation in conjunction with any other antenna or transmitter

-10-      -11-      -12-      -13-      -14-      -15-      -16-      -17-      -18-      -19-