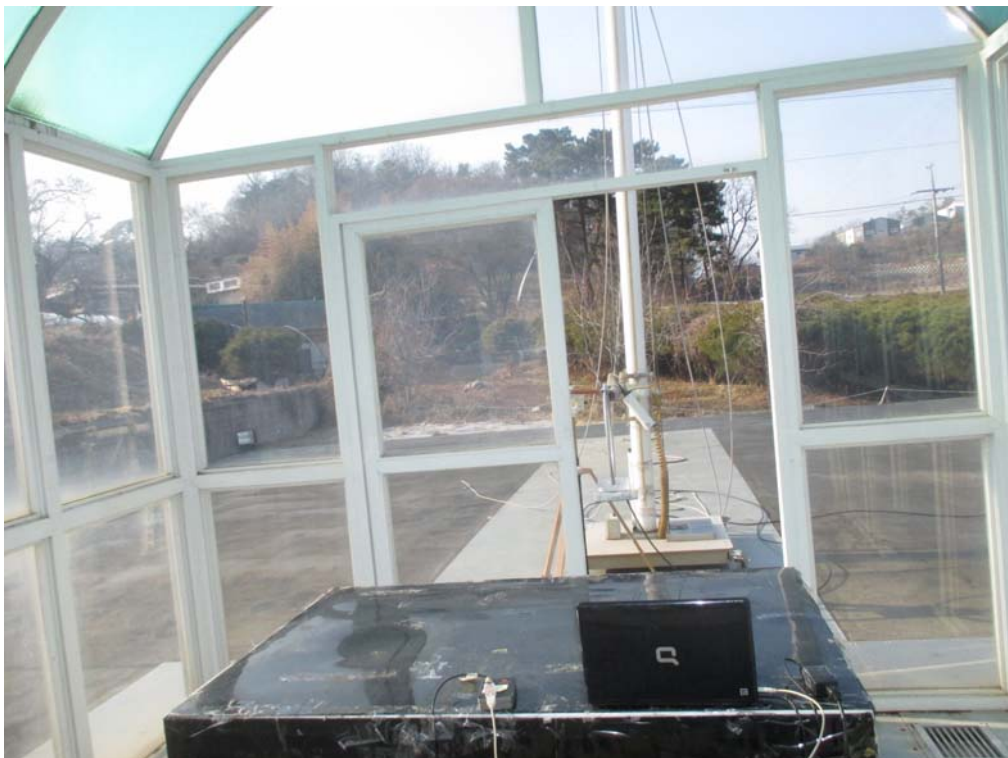


**Radiated Emission Test Setup (Below 30 MHz)**



**Radiated Emission Test Setup (Below 1 GHz)**



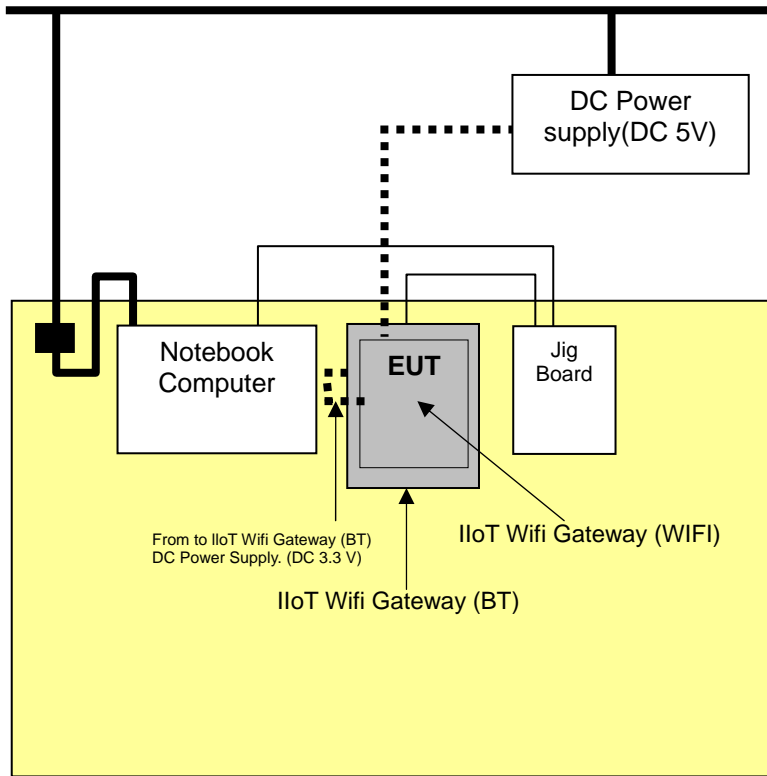
**Radiated Emission Test Setup (Above 1 GHz)**



**Conducted Emission Test Setup**



**The setup drawing(s)**



- : Signal Line
- : Power Line
- : Adapter
- ..... : DC Line

The tested connected with Bluetooth and Wi-Fi portion of the EUT. And the device not is operated without BLE and WiFi. Because it supplies dc 3.3V power to WiFi from BLE equipment.