

深圳市得辉达智能科技有限公司

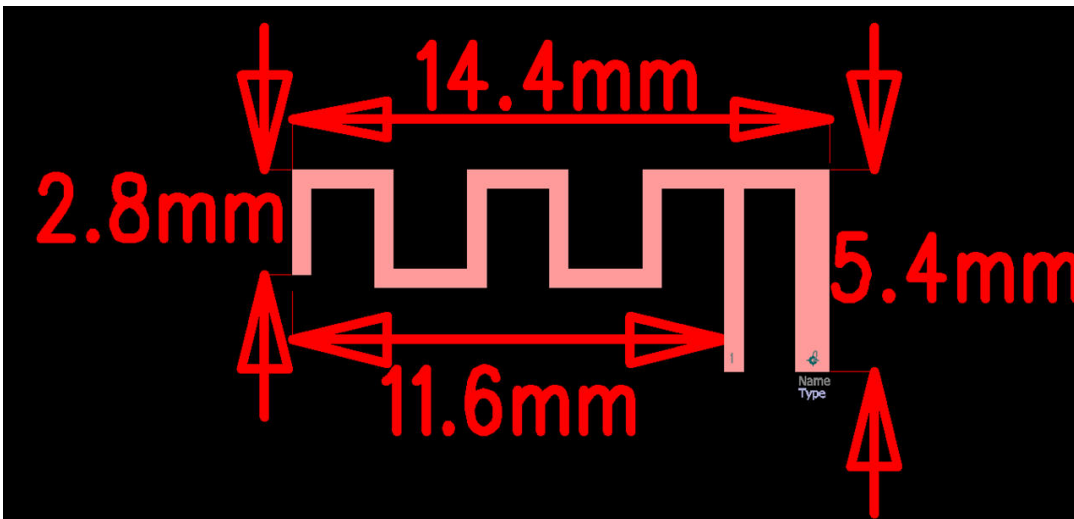
Antenna describe

1. Antenna describe:

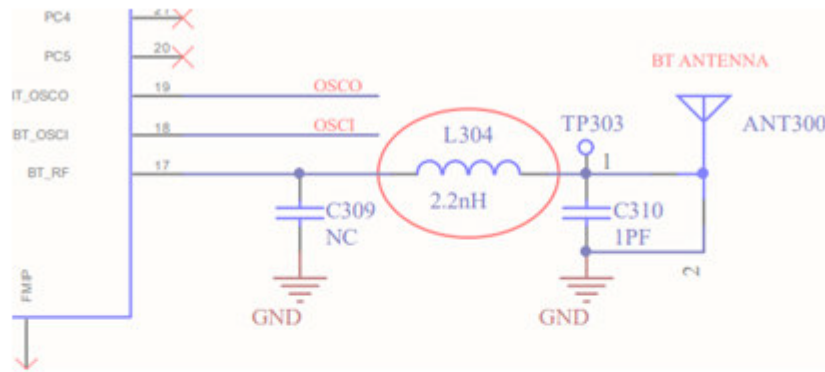
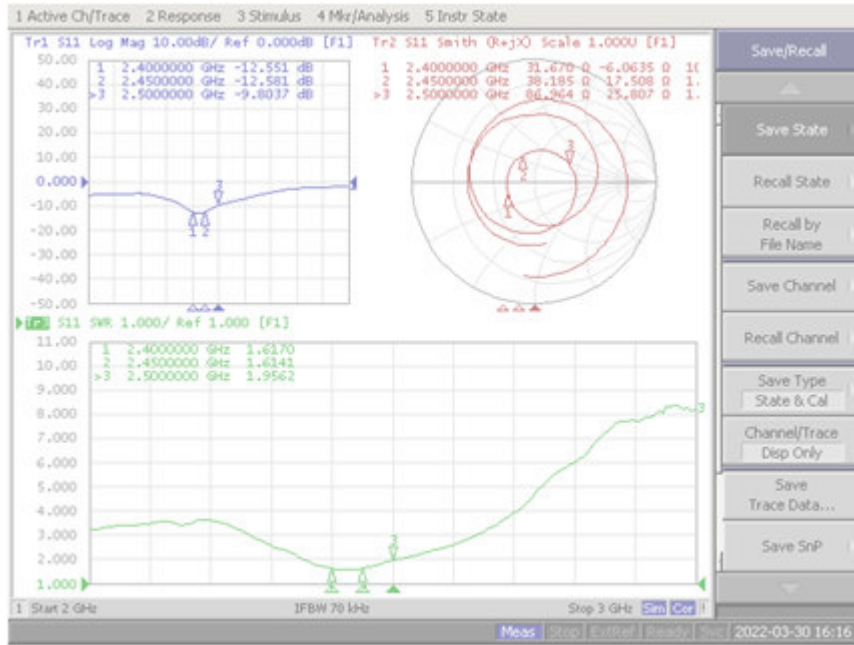
Antenna plate	PCB Antenna
Make name/model name	BM1028
Antenna gain	-0.98dBi
Frequency range	2.4GHZ-2.483GHZ
Connector type	direct
Location of measurement (company name)	Cheerchip Electronic Technology (SH) .CO. ,LTD

2. External view drawing:

Picture of antenna

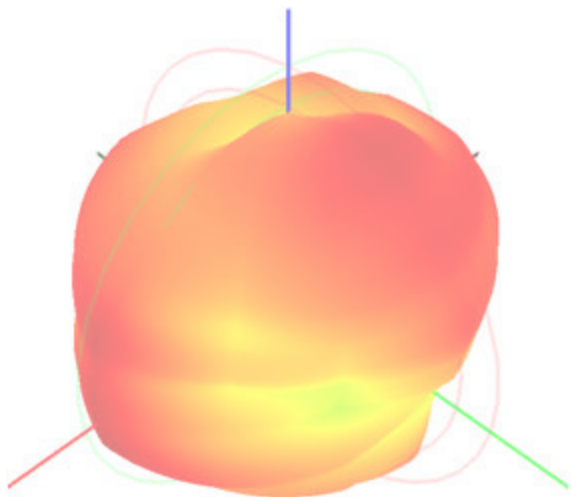


3. Antenna Radiation Pattern

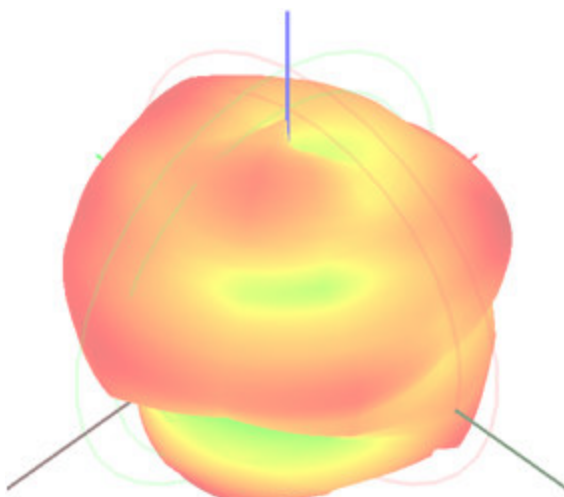


FEITUKEJI											
Frequency ID	1	2	3	4	5	6	7	8	9	10	11
Frequency (MHz)	2400.0	2410.0	2420.0	2430.0	2440.0	2450.0	2460.0	2470.0	2480.0	2490.0	2500.0
Efficiency (dBi)	-8.52	-8.41	-7.98	-7.82	-7.34	-7.24	-6.87	-6.88	-7.16	-7.37	-7.31
Gain (dBi)	-2.39	-2.32	-1.75	-1.63	-1.26	-1.02	-0.98	-1.36	-1.81	-2.13	-2.33
Efficiency (%)	14.06	14.41	15.93	16.53	18.44	18.86	20.56	20.50	19.24	18.33	18.56
Directivity (dB)	6.13	6.09	6.23	6.19	6.08	6.22	5.89	5.52	5.35	5.24	4.98
Peak Gain Position (Theta)	140.00	141.00	140.00	141.00	141.00	99.00	99.00	100.00	100.00	100.00	100.00
Peak Gain Position (Phi)	180.00	180.00	180.00	180.00	180.00	0.00	0.00	0.00	0.00	0.00	0.00
Efficiency ThetaPol (%)	7.68	7.56	8.60	8.63	9.95	10.01	11.26	10.96	10.35	9.68	9.89
Efficiency PhiPol (%)	6.38	6.85	7.33	7.89	8.49	8.86	9.30	9.55	8.89	8.65	8.68
Upper Hem. Efficiency (%)	7.82	7.91	8.62	8.77	9.79	10.08	11.14	11.23	10.70	10.29	10.43
Lower Hem. Efficiency (%)	6.25	6.50	7.31	7.75	8.65	8.78	9.41	9.27	8.54	8.04	8.14

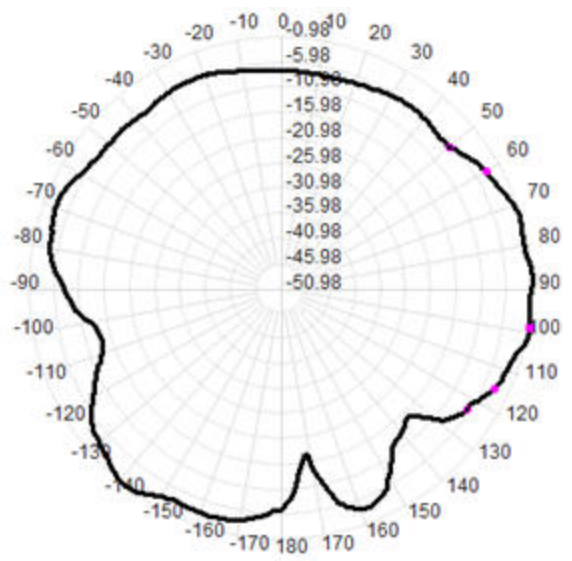
2460.0MHz H+V, Eff: 20.6%



Back View



2460.0MHz Total(E1), Max= -0.98dBi



2460.0MHz Total(E2), Max= -2.40dBi

