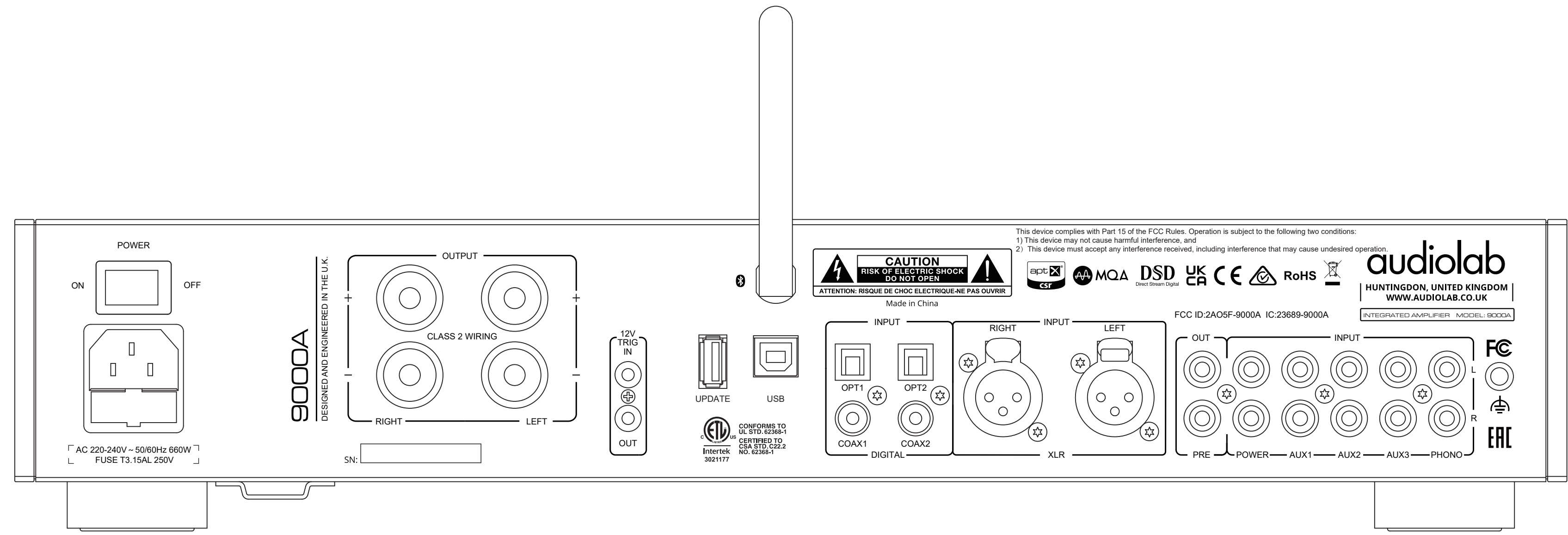
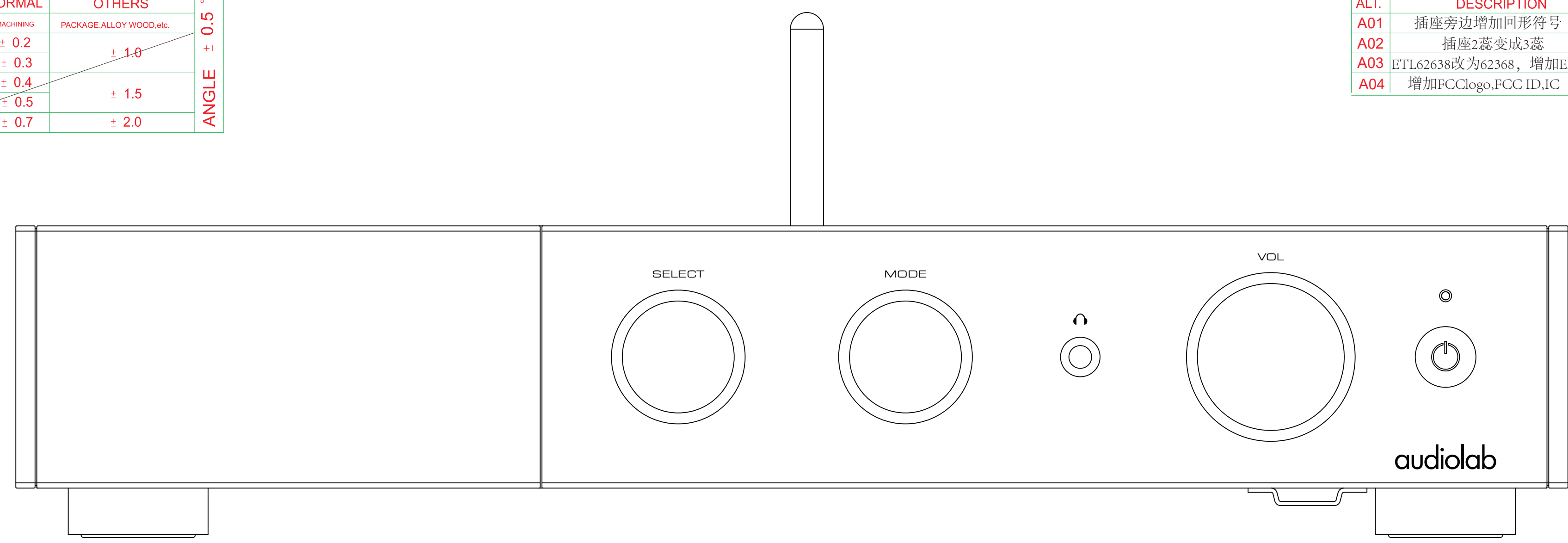


label location:



TOLERANCE	1	2	OTHERS	°
	PRECISION	NORMAL		
0 TO 15	± 0.1	± 0.2	PACKAGE,ALLOY WOOD,etc.	+1 ANGLE 0.5
15 TO 60	± 0.15	± 0.3	± 1.0	
60 TO 150	± 0.2	± 0.4	± 1.5	
150 TO 350	± 0.3	± 0.5	± 2.0	
350 TO 1000	± 0.45	± 0.7	± 2.0	

ALT.	DESCRIPTION	BY	DATE
A01	插座旁边增加回形符号	曾九妹	2022.4.21
A02	插座2蕊变成3蕊	曾九妹	2022.7.6
A03	ETL62638改为62368, 增加EAC标识	曾九妹	2022.9.27
A04	增加FCCLogo,FCC ID,IC	曾九妹	2022.12.1



灰色为定位线. 黑色为丝印  
 黑色面板丝印颜色为PANTONE Cool Gray 5C  
 银色面板丝印颜色为PANTONE Cool Gray 10C

PART NO.	FINISH:	MAT.	SIGNATURE	DATE:	IAG IAG GROUP LTD
S.TITLE	9000A		DWG 曾九妹	2022.12.7	
TITLE	线稿图		CHK:	SCALE 1:1	DWG. NO.
			APP:		ALT. A2
					A04