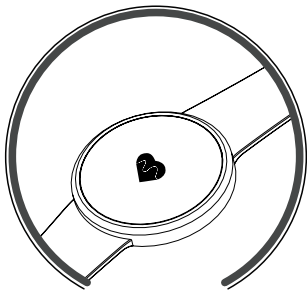


做最感动人心的智能手环



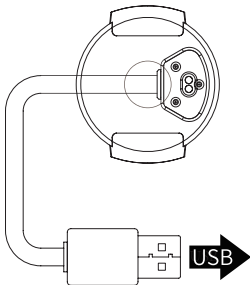
△ V4.30 版 △

感谢您使用购买原装正品智能手环
快速入门指南

手环初体验



充电自动开机
充电时请保持充电口干燥
接电脑上充电，或者选用
DC-5V --- 1A 的手机充电器



体验

触摸操作方法:

触摸两次唤醒屏幕
触摸此位置
切换显示菜单



时间菜单



计步菜单



距离菜单



卡路里菜单



心率菜单



睡眠菜单



开关菜单

1. 关机方法：切换到开关菜单，长触 3 秒，关机灭屏。
2. 开机方法：
长触 3 秒，开机亮屏
或者是充电自动开机。

下载安装 APP 软件：H Band

ios 系统手机

在 App store 中搜索 :H Band

安卓系统手机

在 Google play 或者 Android 应用商店中

搜索 :H Band ，下载安装；打开软件，
按照提示，注册帐号，牢记帐号与密码。



APP 下载二维码



H Band

APP

设备连接方法与数据同步方法：

1. 手机设置中开启蓝牙，不可以点击连接。
2. 将手环保持在充电状态或者是亮屏状态。
3. 打开 APP, 点击连接设备，搜索到 B16 设备，点击 B16, 出现连接成功，就可以使用了。
4. 点击 APP 主界面下拉自动同步时间和运动数据。
5. 若绑定不成功，请重试；您还可尝试关闭蓝牙，关闭手机设备，再重新开机，重复前面第 1，第 2，第 3 项的步骤操作。

提醒功能：



来电提醒



短信提醒



久坐提醒



打开 APP，在 APP 设置中开启拍照功能，遥遥手环控制手机拍照。



触摸手环，进入到心率菜单时，手环开始检测心率，测试完成后显示结果。

防水



洗手，下雨，冷水淋浴，
可以随心配戴。



跳水，潜水请勿使用。



包装清单

智能手环 *1 个

USB 磁吸充电线 *1 条

说明书包修卡 *1 本

智能亮屏

抬手看时间，智能亮屏。

打开 APP，在设置中开启。

初次使用，请多抬手看几次，多练习几次，
找到技巧，记住上次智能亮屏的动作，

同样动作看时间会智能亮屏。

原理：翻转亮屏角度需要大于 90 度。

手机软件固件更新

固件更新步骤：

1. 确认手环与手机已连接，数据同步速度很快，手机 WIFI 或 GPRS 网络信号很强。

2. 手环保持充电状态，手环与手机之间的距离 1 米以内。

3. 在 APP 的设置中，点击固件更新，在 5 分钟内更新成功。固件更新失败处理方法：

1. 手环可以正常使用的状态下，重复固件更新步骤，再次升级。

2. 手环不能正常工作使用的状态下，心率灯常亮。

处理方法：

A. 手机设置中搜索 dfulang 的设备，配对连接；

B. 重复固件更新步骤，再次升级。

自动睡眠监测

晚上睡觉，需佩戴智能手环，无需任何设置，通过心率感应器及专业的睡眠监测传感器，可以精确监测睡眠时间及睡眠质量，确认用户已经起床清醒时，睡眠数据在早晨 8 点以后，才可以同步到手机 APP，午休是不能监测睡眠。

常见问题处理方法

1. 可以搜索到设备“B16”，出现连接不成功的提示，解决方法：解除绑定，删除蓝牙链接，重新启动手机，重新在 APP 中点击连接，重复以上操作可以连接成功。

2. 出现通知无提醒的问题，按照建议步骤解决：

步骤 1. 在手机设置中，找到这个 APP，然后开启通知权限。

步骤 2. 手机安全应用软件中，找到这个 APP，然后开启通知权限。

步骤 3. 检查在此 APP 中的通知提醒功能是否打开。

3. APP 同步数据，睡眠数据没有显示，需要在早晨 8 点以后同步数据，重复同步刷新。

4. 防水提示，由于手环是防水胶工艺的特性，常温淡水中测试 10 米防水，可以用自来水清洗，不可以放在开水或海水中清洗。

5. 如果 APP 绑定设备时，提示已被绑定，说明设备已被他人绑定；需要通知他人在 APP 设置中解绑，才能被其它 APP 重新绑定；

步骤 1. 在 APP 设置中 -- 点击 B16
-- 断开连接

步骤 2. 手机设置中 --- 蓝牙选项，
找到 B16, 删除连接。

产品参数

天线：陶瓷天线

显示：0.66 英寸 OLED 屏

触摸：超灵敏电容式触摸

壳体：6063 航空铝材

尺寸：铝壳，主体厚度 6.9MM

手环整体长度 235MM

适合配戴手腕尺寸 160-210MM

表扣：6063 航空铝材

表带：蓝色与香槟金色及其它色彩的表带为新一代

高级安全抗过敏材料

*** 黑色表带增加了远红外电气石能量材料**

电池：100mAh

充电：USB 磁铁自动吸附式充电方式

续航：低负荷使用：10 天 典型使用：5 天

防水：根据国际 IP67 防水防尘标准设计制造，产品达到并且超过了 1ATM（10 米）防水级别，非常方便日常配戴，如果需要清洁可以在水盆中或水龙头下清洗。

蓝牙：4.0 版本 重量：智能手环重量 26 克

支持系统：iOS 8.0 或者以上版本

安卓手机系统：4.4 或者以上版本

智能手环保修卡 --- 销售商 / 生厂商保存

用户信息

顾客姓名：

联系电话：

联系地址：

产品信息

产品名称：

产品型号：

产品配件：

维修记录

送修日期：

使用配件：

交验日期：

维修中心名称 / 维修人员签字：

故障描述 / 故障原因 / 处理结果：

智能手环保修卡 --- 顾客保存

用户信息

顾客姓名：

联系电话：

联系地址：

产品信息

产品名称：

产品型号：

产品配件：

维修记录

送修日期：

使用配件：

交验日期：

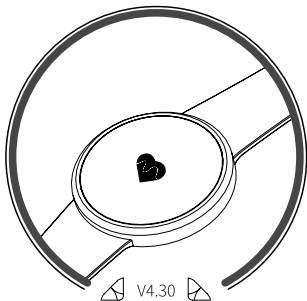
维修中心名称 / 维修人员签字：

故障描述 / 故障原因 / 处理结果：

合格证

本产品经我公司品质控制部门检验
性能参数符合技术标准,准许出厂。





Thank you for your purchase
Original product smart bracelet

Quick guide

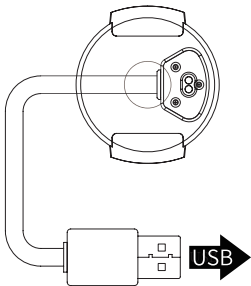


First time use of Bracelet

Automatic Starting while charging .

Please keep the charging port in dry condition while charging .

Connect to the computer or choose DC-5V—1A phone charger for charging.

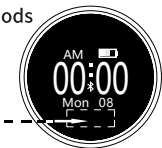


Touch operation Methods

Touch twice to wake
Up the screen

Touch position

Touch to switch menu



Time Mode



Step Menu



Distance Menu



Calorie Menu



Heart menu



Sleep menu



On-off Menu

1. Shutdown method: Switch to on-off menu, long press for 3 seconds to shut off screen.
2. Turn on method: Long press for 3 seconds to turn on the screen or turn on by charging.

Mobile phone APP: H band

For IOS mobile phone, you can search "H band " from App store. For Android mobile phone, you can search "H band"from Google play or Android app store to download and install it, open the software and register a new account. Note:remember the account name and password.



APP Download



H Band

Device connection methods and data synchronization methods:

1. Turn on bluetooth in your phone Settings, and please don't click connection directly.
2. Keep the bracelet under the state of charging or bright screen.
3. Open the APP and click pair device to search for "B16".Pair the device by clicking 'B16', till appears connected successfully.

4. Pull-down the main interface of APP to synchronize the time and sports data.

5. If the binding is not successful, please try again. You can also try to close Bluetooth, turn off the phone, and restart it. Repeat the steps 1, 2, and 3.

Reminder function:

1. Open the APP and turn on or off the reminder functions in APP Settings.

2. Open the bracelet notification permissions in the phone's security setting.



Call



SMS



Sedentary setting

Packing list:

1. Smart bracelet*1

2. USB magnetic charger*1

3. User manual and warranty card *1



Open the APP and turn on the function of remote camera in the APP Settings. Shake the bracelet for controlling the mobile phone.



Touch the bracelet screen and switch to the heart rate interface, it will start up the heart rate monitoring. The results will be appeared after completed.

Waterproof:

It can be worn when washing hands, raining and taking a cold shower.



Can not be worn when swimming and diving.



Automatic sleep monitoring

Wear the bracelet without any setting when sleeping. The bracelet will monitor your sleeping period and quality through heart rate sensors and specialized sleep monitoring sensors. Sleep data should be synchronized after 8 AM. The bracelet can not monitor the noon break.

Bracelet firmware update:

Firmware update steps:

1. Make sure your bracelet is connected to your phone. Data Synchronized is smoothly. Wi-fi or GPRS are strong.
2. Keep the bracelet under the state of charging. The distance between bracelet and phone should be less than 1 meter.
3. Click the firmware update in the APP. Update will be finished within 5 minutes. The solutions of Firmware update failed:

1. Repeat the firmware update steps if the bracelet can be used normally. If the bracelet doesn't work, and the heart rate is always bright, solutions:

A: Search for bluetooth "dfulang" in your phone Settings and pair it.

B: Repeat the firmware update steps.

Wrist-up light the screen

Raised your hand to see the time. Wrist up to check the time. Open the function in APP settings to start it. For the first time use, please practice a few more times to get the skills, then keep this action to light the screen. Note: The angle of flipping the screen should be more than 90 degrees.

Product Specifications

Display: 64*48 OLED display.

Antenna: Ceramics Antenna.

Touch screen: Capacitive touch screen.

Shell: 6063 Aviation aluminum materials.

Size: Thickness 6.9MM; Bracelet total length 235MM, Suitable wrist size for comfortable wear.

160-210MM Watch strap: black ,blue, champagne gold and other colors. made of the new generation high grade safety anti-allergic materials.

Far infrared tourmaline energy material has been added in the black strap

Battery: 100mAh.

Stand by: 10 days.

Standard using: 5 days.

Waterproof standard : international IP67 waterproof and dustproof standard. Products has reached and exceeded 1ATM(10meter) waterproof level. It is very convenient for daily wear.Can be rinsed in water basin or under the tap when cleaning is required.

Support system: IOS 8.0 or above, Android 4.4 or above. Bluetooth: 4.0 version.

FAQ

1. Can search for the device "B16",but failed to connect.

Solution:Unbind,Remove the phone bluetooth connection, restart your phone, and pair the device's bluetooth in the APP. Repeat this

operation till connected successfully.

2. If no notifications, follow the below recommended steps:

Step 1. Find the bracelet's APP in your phone Settings, then open the notification authority.

Step 2. Find the bracelet's APP in the mobile phone security APP, then open the notification authority.

Step 3. Make sure whether open the reminders function in device's APP.

3. No sleep data after synchronizing.
Sleep data should be synchronized after 8AM.

FAQ

4. Water proof It is the characteristic of waterproof glue process, the bracelet approves to water proof under 10 meters for the fresh water. The bracelet can be washed in the tap water, but not boiled water or seawater.

5. When pairing the device in the APP, and it appears the device has bound. That means the device has paired with someone's. The device can be bound for one account at the same time, so please ask the previous user's to unbound the device in the APP.

Step 1.

APP Settings -- Disconnect
the "B16"

Step 2.

Phone Settings - Bluetooth -
Find "B16" and delete the
connection.

Smart Watch Warranty Card--- **Customers save**

User Information

Customer Name:

Tel:

Address:

Product Information

Product Name:

Product Model:

Accessories:

Maintenance records

Repair Date:

Use accessories:

Date of inspection:

Service Center Name:

Maintenance personnel Signature:

Fault Description / Fault Cause / Result:

FCC STATEMENT :

This device complies with Part 15 of the FCC Rules. Operation is subject to the following two conditions:

- (1) This device may not cause harmful interference, and
- (2) This device must accept any interference received, including interference that may cause undesired operation.

Warning: Changes or modifications not expressly approved by the party responsible for compliance could void the user's authority to operate the equipment.

NOTE: This equipment has been tested and found to comply with the limits for a Class B digital device, pursuant to Part 15 of the FCC Rules. These limits are designed to provide reasonable protection against harmful interference in a residential installation. This equipment generates uses and can radiate radio frequency energy and, if not installed and used in accordance with the instructions, may cause harmful interference to radio communications. However, there is no guarantee that interference will not occur in a particular installation. If this equipment does cause harmful interference to radio or television reception, which can be determined by turning the equipment off and on, the user is encouraged to try to correct the interference by one or more of the following measures:

- Reorient or relocate the receiving antenna.

- Increase the separation between the equipment

and receiver.

Connect the equipment into an outlet on a circuit different from that to which the receiver is connected.

Consult the dealer or an experienced radio/TV technician for help.

RF warning statement:

The device has been evaluated to meet general RF exposure requirement. The device can be used in portable exposure condition without restriction.

Product Technical Support Team Email:

SKMEICustomerservice@hotmail.com

If you have any question about our product please feel free to contact us and we will reply you within 24 hours.