

深圳市一线通线缆有限公司

地址：深圳市宝安区沙井街道万丰98工业城21栋

天线规格承认书

Antenna Specification for Approval

客户名称

CustomerName: 深圳市魔样科技有限公司_____

产品名称：_

ProductName: _____ 2.4G天线 全长25mm红色

客户型号：

ProductName: _____

产品料号：

Part NO.: _____ C10- 35-2.5

制表：

WriteBy: 庄杰彬

日期：

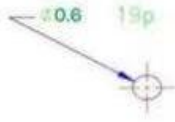
IssuedDate: _____ 2021-10-08

客 户：

工程 <i>R&D Dept</i>	采购 <i>Business Dept</i>	承认 <i>Approved By</i>

一线通

研发 <i>R&D Dept</i>	工程 <i>Engineer Dept</i>	审核 <i>Approval</i>
庄彩虹	庄杰彬	庄杰彬



Product Specification

A. Electrical Characteristics

Frequency 2400MHz

~2500MHz VSWR<3.0

Efficiency >30%

Impedance 50

Ohm Polarization

Line Gain

ODBi

B. Material & Mechanical Characteristics

Material of Radiator Cu

Cable Type 1.0 19P 红

Connector Type : NO

Dimension

C. Environmental

Operation Temperature - 30 °C ~ + 80

°C Storage Temperature - 30 °C ~ +

85 °C

Test Equipment & Conditions

1. Network Analyzers:

Agilent 8753D 5071C

2. Communications TestSet:

Agilent E5525C

3. 3D Chamber TestSystem

Efficiency & Gain

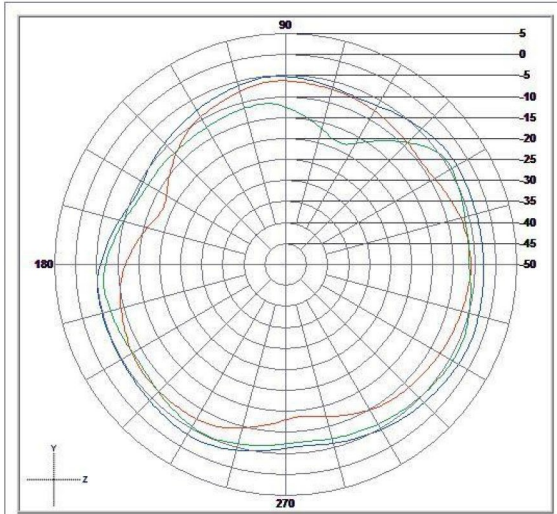
Efficiency & Gain

2.40 0.00 dBi

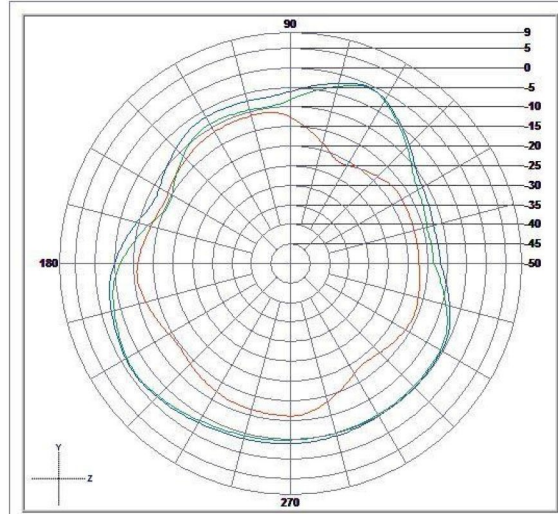
2.440 - 0.11 dBi

2.48 - 0.13 dBi

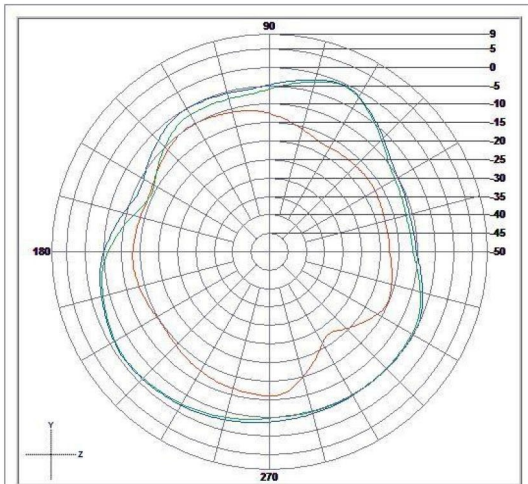
Radiation Pattern:



	Vertical	Horizontal	Total
Avg. Gain	-8.4	-6.99	-4.63
Peak Gain	-5.48	-3.77	-2.17



	Vertical	Horizontal	Total
Avg. Gain	-13.34	-5.06	-4.46
Peak Gain	-10.3	-0.09	-0.12



	Vertical	Horizontal	Total
Avg. Gain	-13.42	-4.6	-4.06
Peak Gain	-9.47	0.0	-0.17

