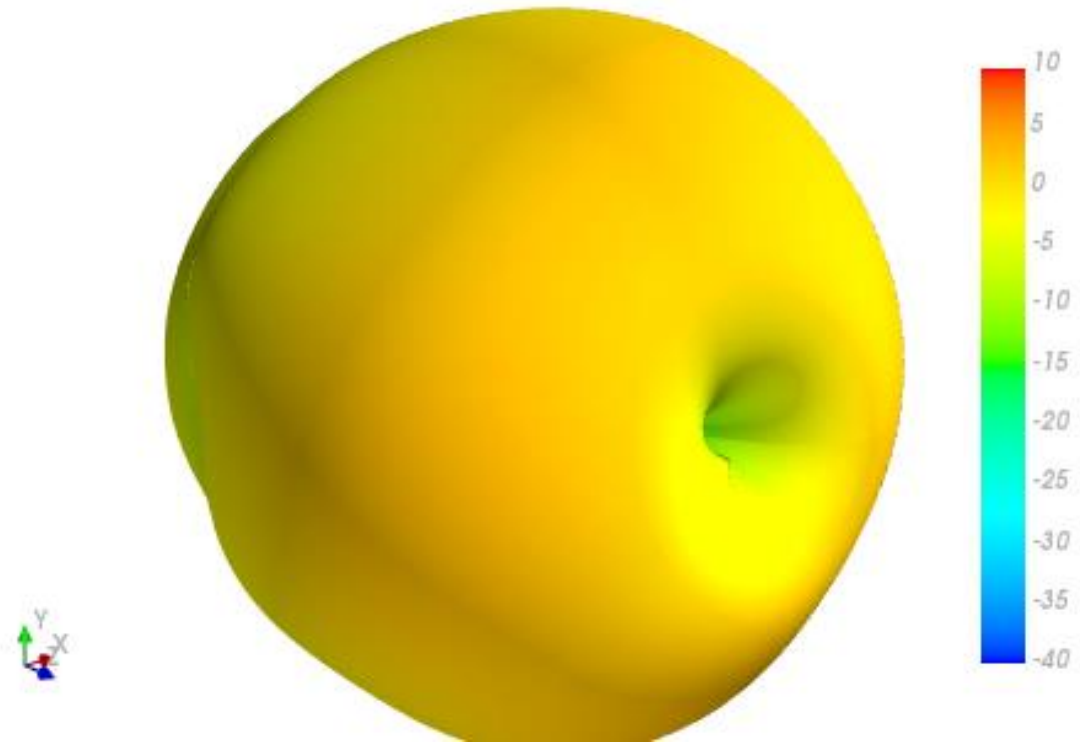
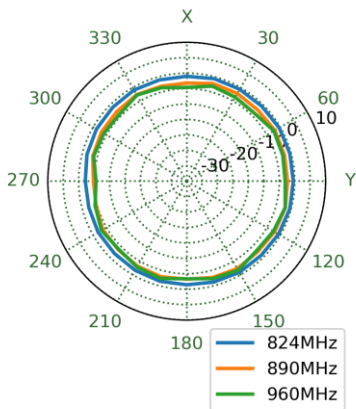


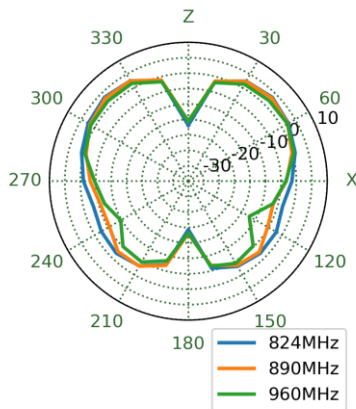
890MHz



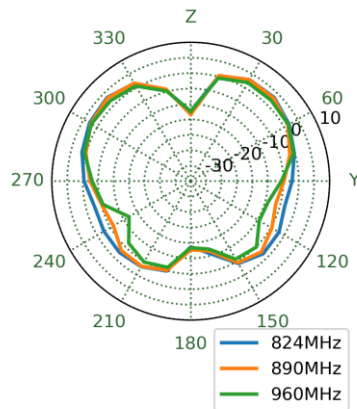
XY Plane



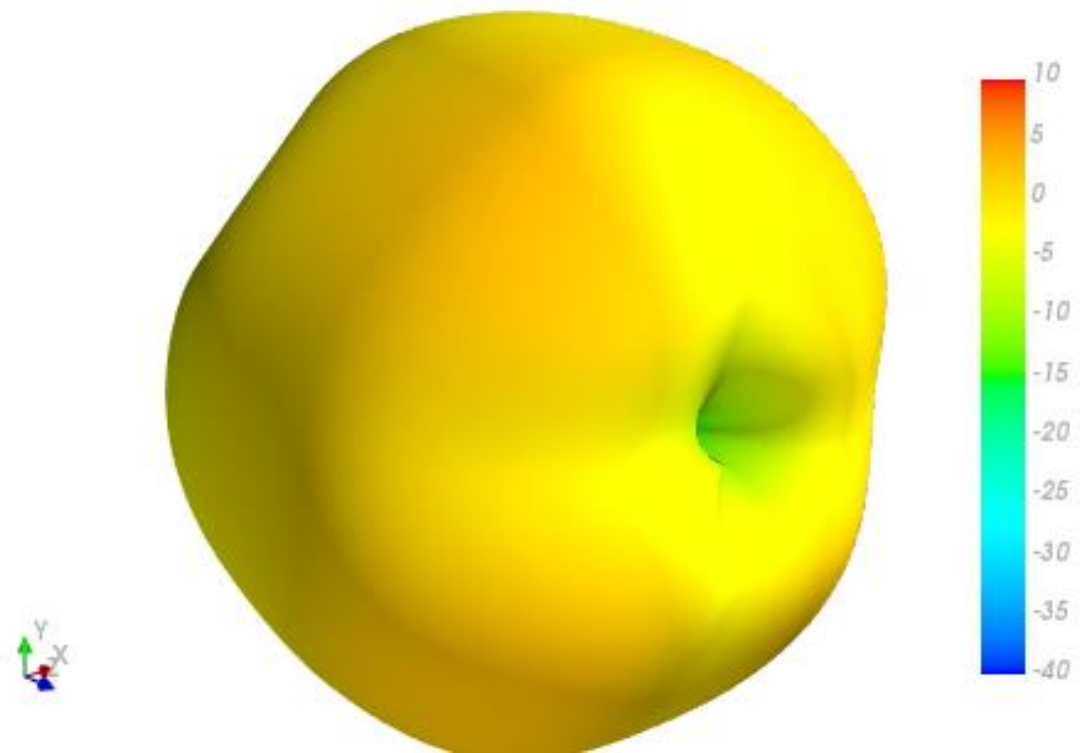
XZ Plane



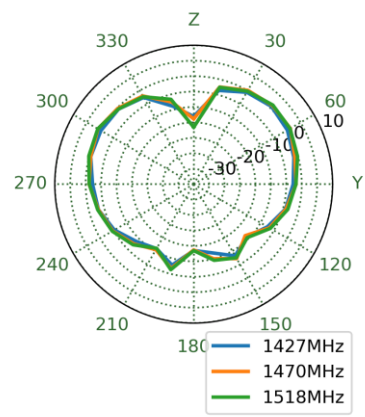
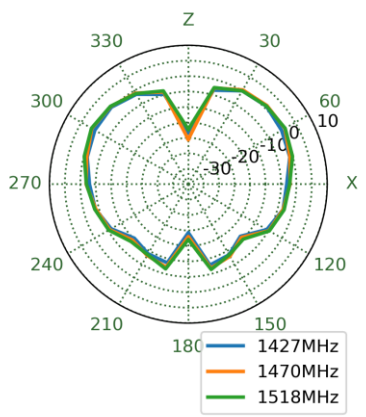
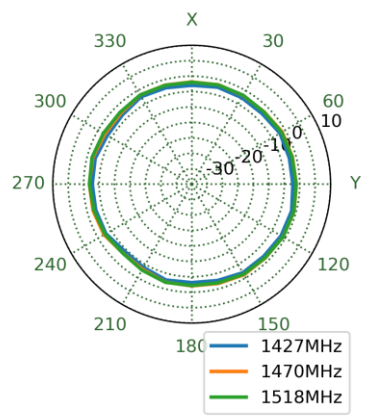
YZ Plane



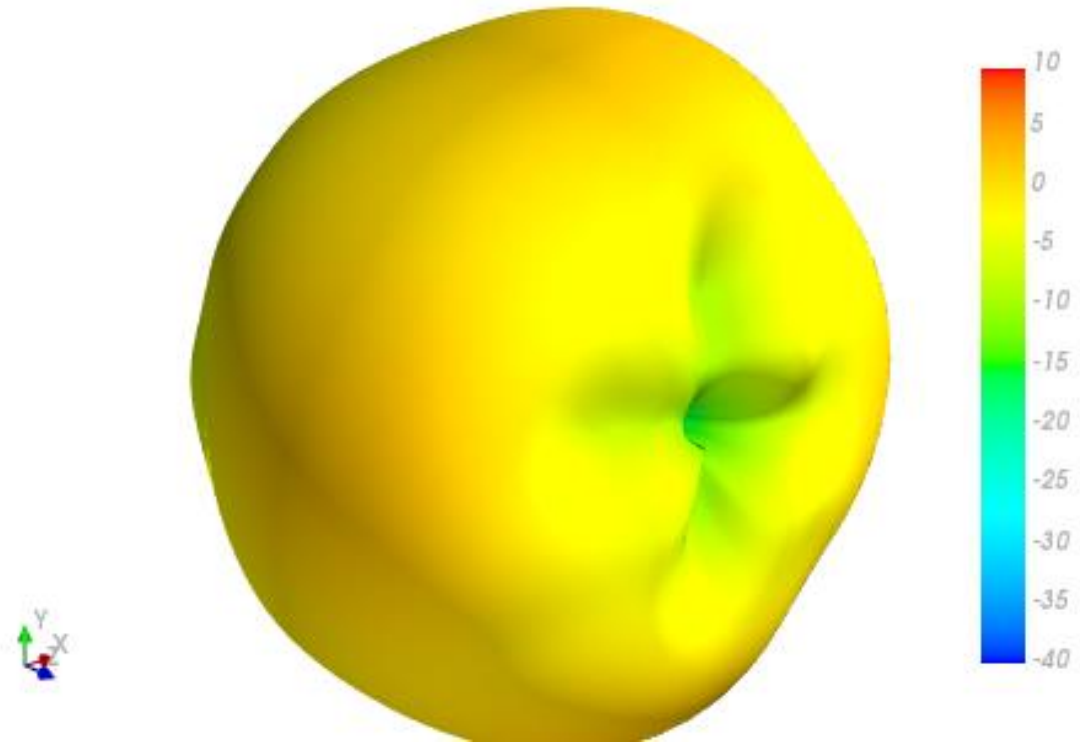
1470MHz



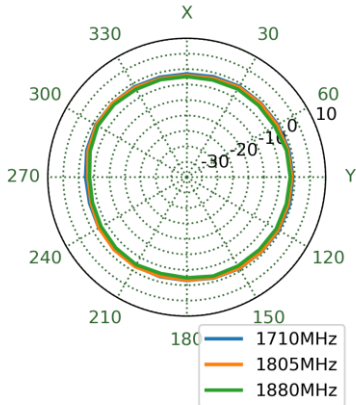
XY Plane XZ Plane YZ Plane



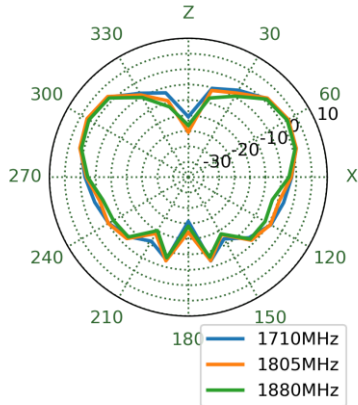
1805MHz



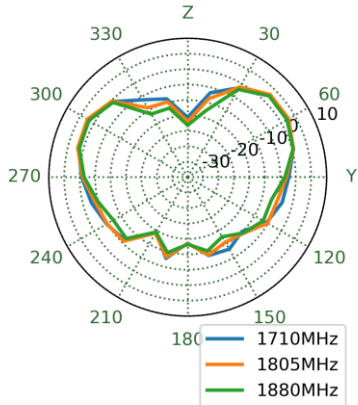
XY Plane



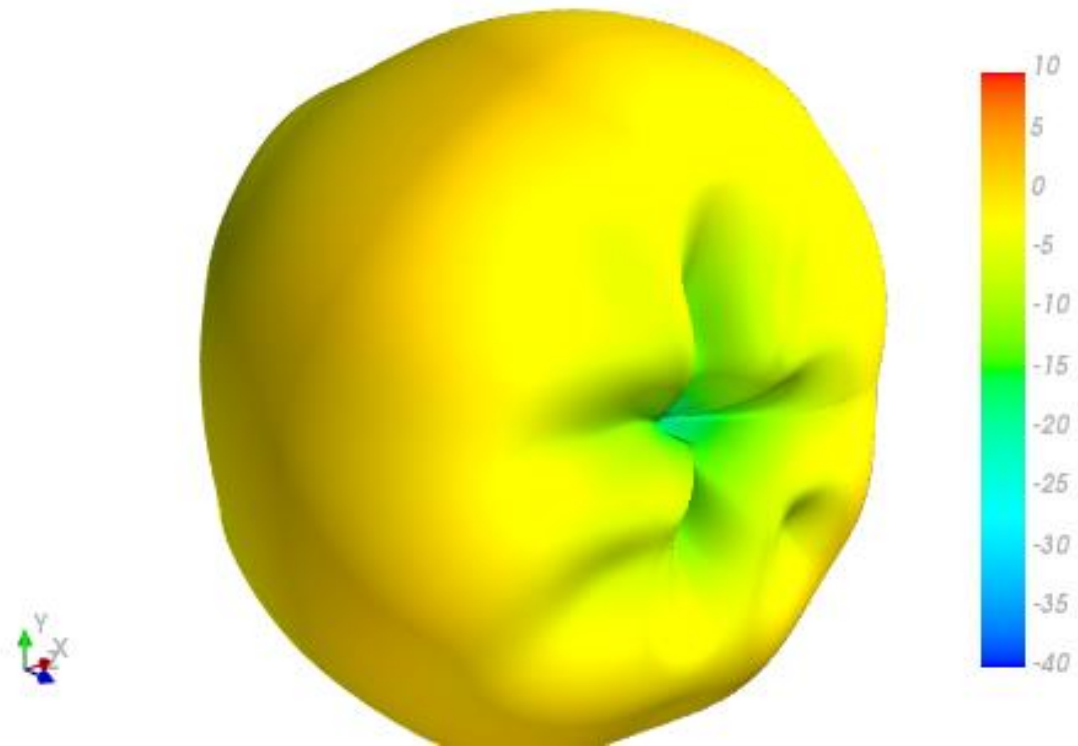
XZ Plane



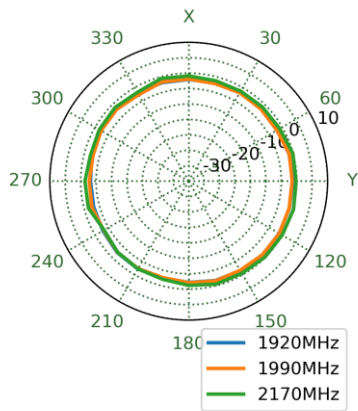
YZ Plane



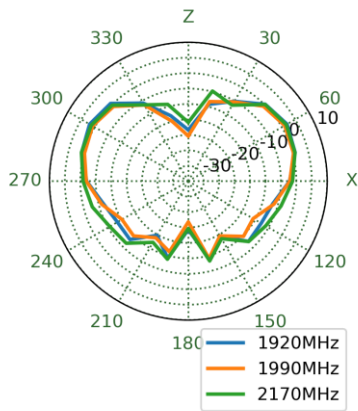
1990MHz



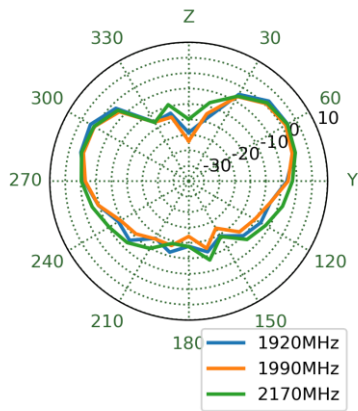
XY Plane



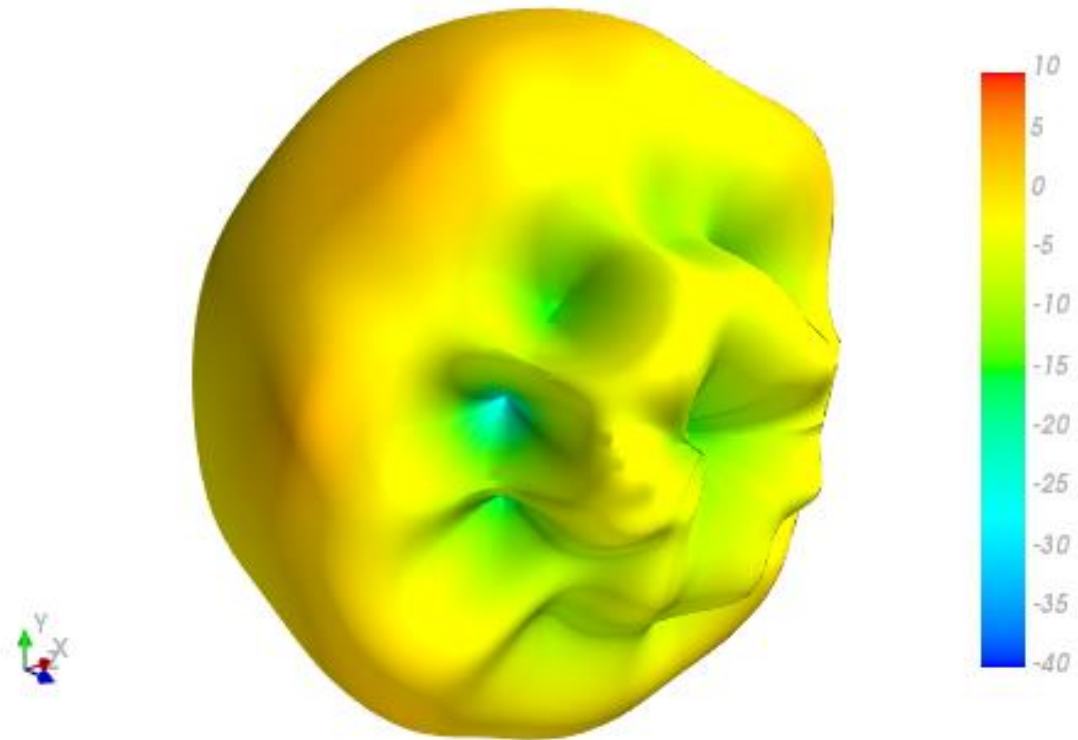
XZ Plane



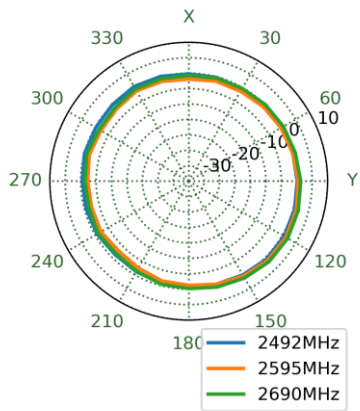
YZ Plane



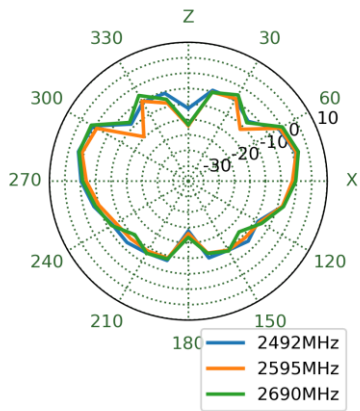
2595MHz



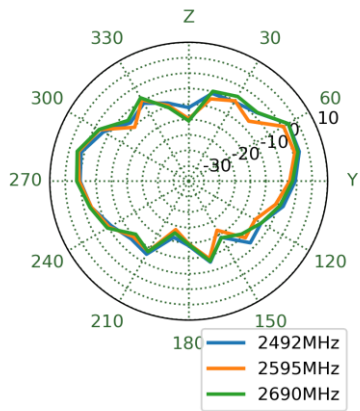
XY Plane



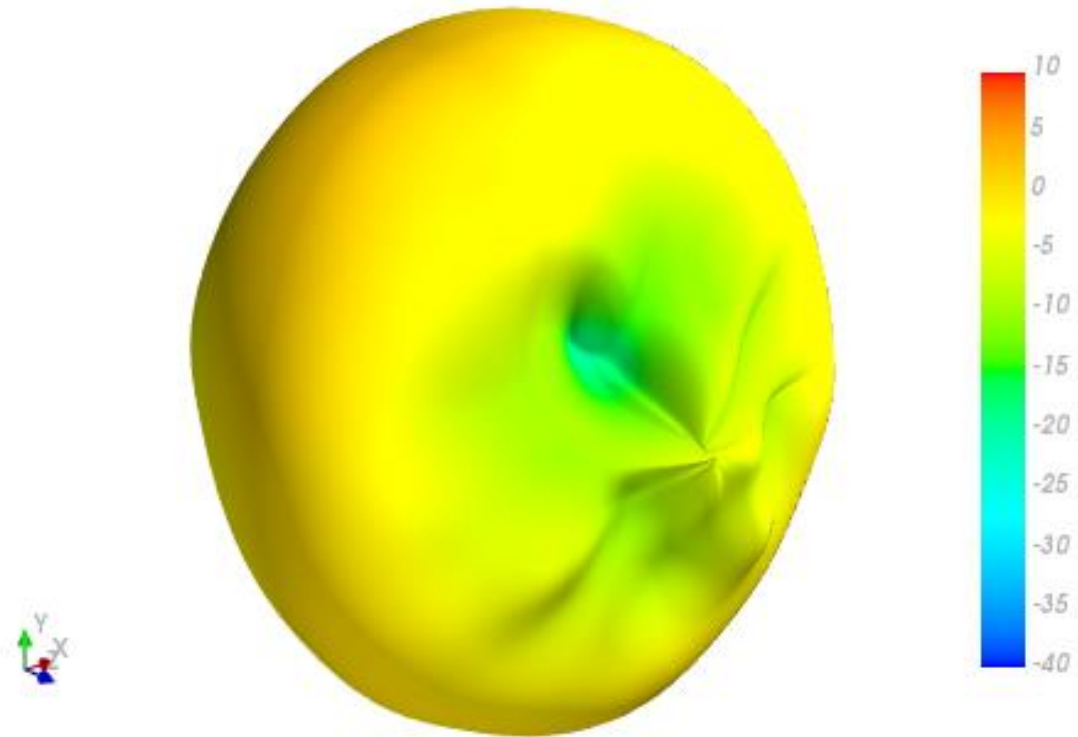
XZ Plane



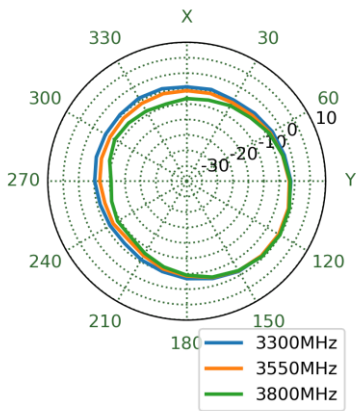
YZ Plane



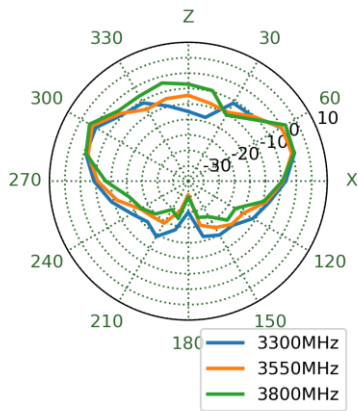
3550MHz



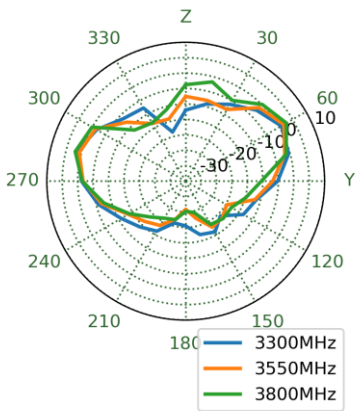
XY Plane



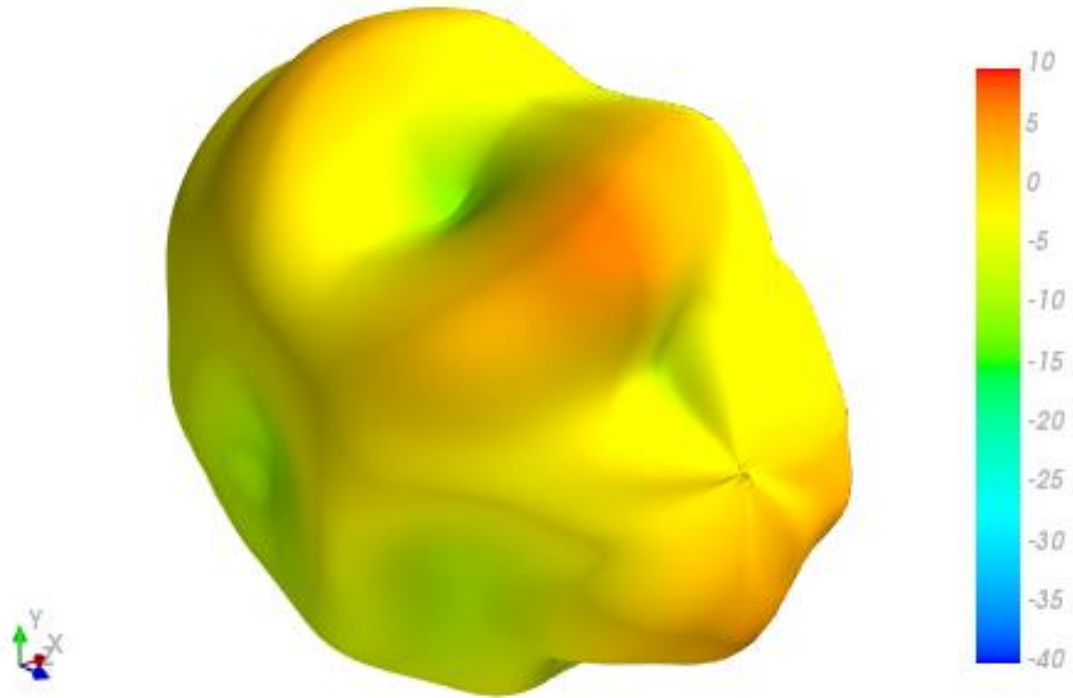
XZ Plane



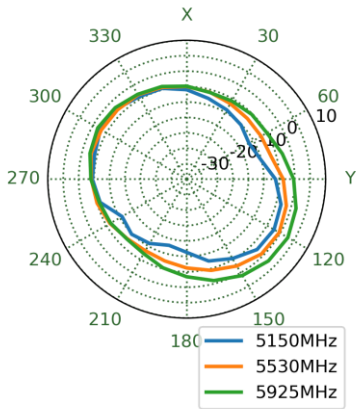
YZ Plane



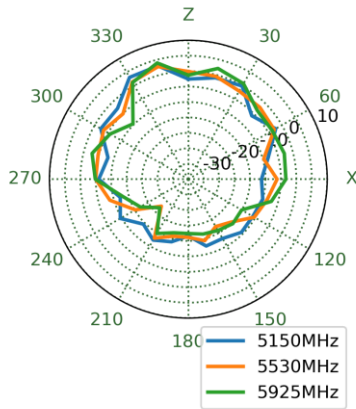
5530MHz



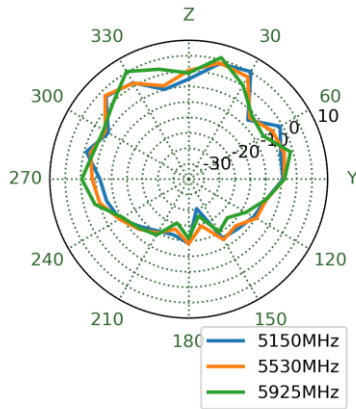
XY Plane



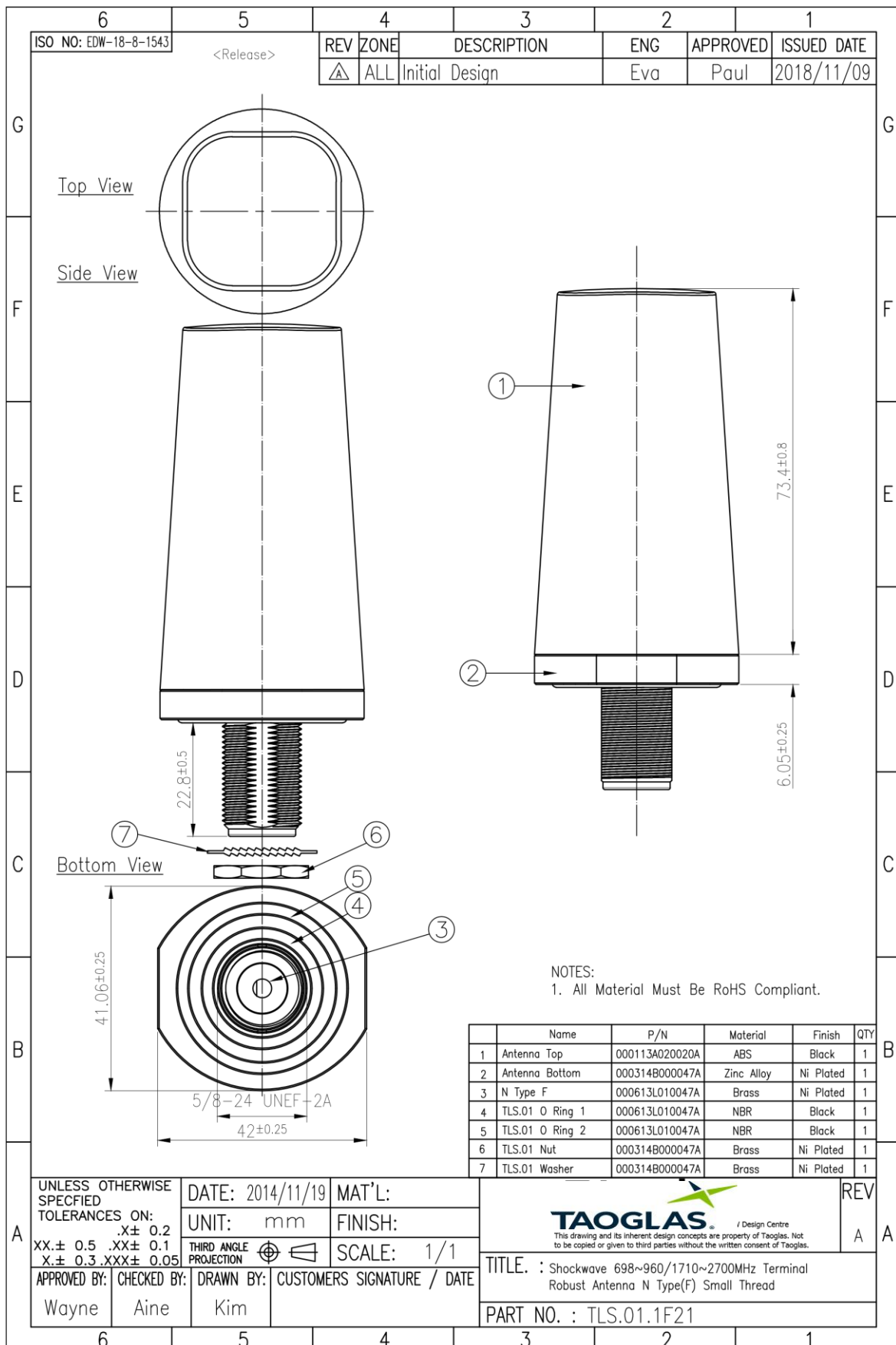
XZ Plane



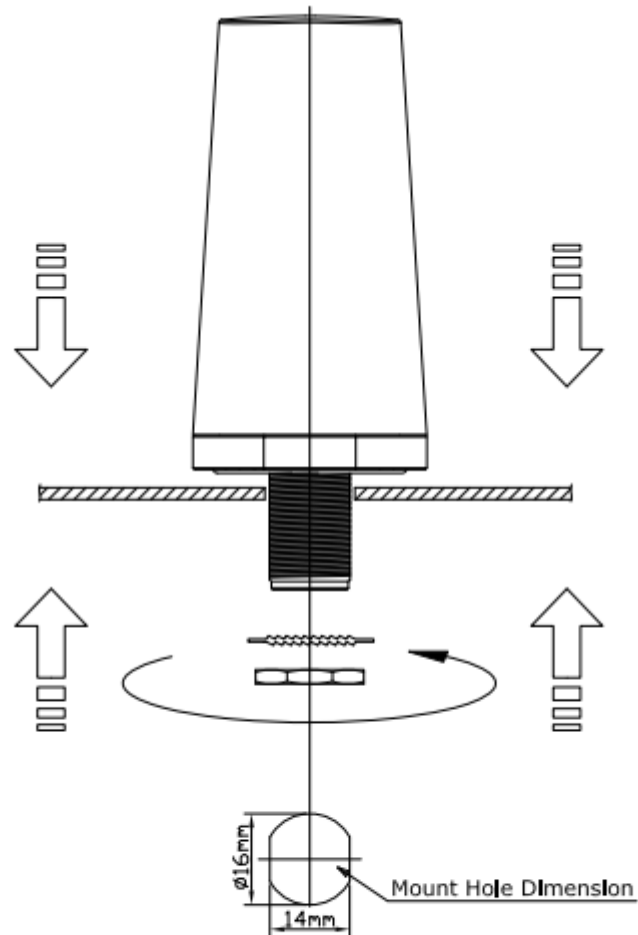
YZ Plane



5. Mechanical Drawing (Units: mm)



6. Installation



Recommended torque for mounting is 4.018 N.m or 41 kgf.cm

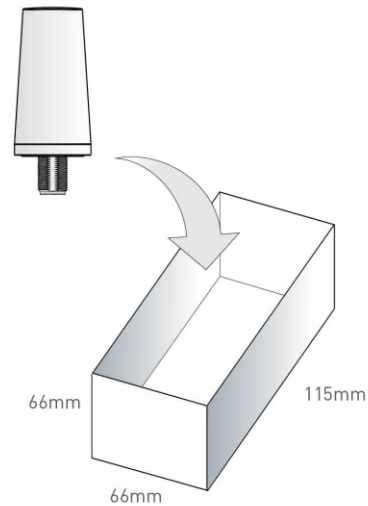
Maximum torque for mounting is 9.8 N.m or 100 kgf.cm

7. Packaging

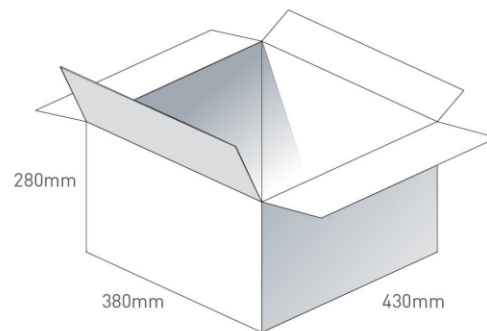
TLS.01.1F21

Packaging Specifications

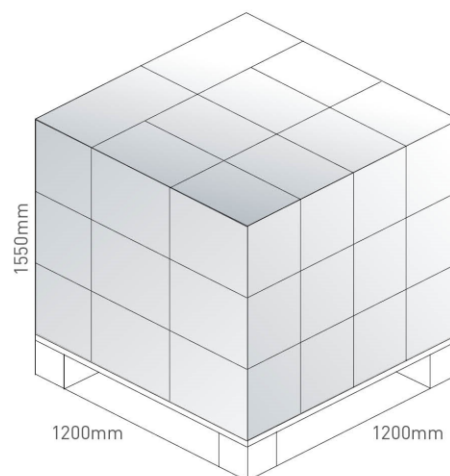
1 No. TLS.01.1F21 per small box
 Box Dimensions - 66 x 66 x 115mm
 Weight - 210g



1 Outer Carton
 Carton Dimensions - 430 x 380 x 280mm
 60 pcs TLS.01.1F21 per carton
 Weight - 13.02Kg



Pallet Dimensions 1100*1100*1550mm
 30 Cartons per Pallet
 10 Cartons per layer
 3 Layers



Changelog for the datasheet

SPE-17-8-042 - TLS.01.1F21

Revision: D (Current Version)

Date:	2022-09-02
Changes:	Updated specifications
Changes Made by:	Cesar Sousa

Previous Revisions

Revision: C

Date:	2019-11-18
Changes:	Included 5G data
Changes Made by:	Jack Conroy

Revision: B

Date:	2017-03-30
Changes:	Included LTE Table
Changes Made by:	Andy Mahoney

Revision: A (Original First Release)

Date:	2015-10-11
Notes:	Initial Release
Author:	Jack Conroy



TAOGLAS®

www.taoglas.com

