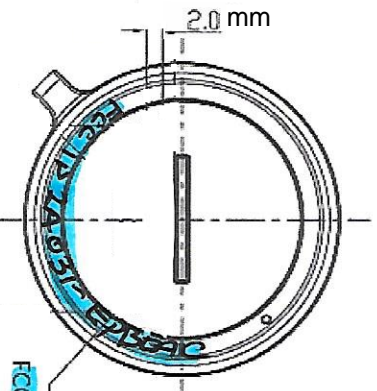


REVISIONS			
Rev	Previous P/N	Description	Date



FCC ID: 2A031EPB6AC
 This Device complies with Part 15 of the FCC Rules. Operation is subject to the following two conditions:
 (1) this device may not cause harmful interference, and
 (2) this device must accept any interference received including interference that may cause undesired operation.

SEPARATE LABEL SUPPLIED WITH EACH UNIT (63mm DIA)

Unless Otherwise Specified Dimensions are in Millimeters Tolerances: mm 1st-3rd 1/16 4th-10th 1/32 11th-20th 1/64 21st-30th 1/128 31st-50th 1/256		Tolerances: Angles 1st angle projection		Finish: Material: Qty: Weight:	
DRAWN Vincent CHECKED APPRVED MFG QA		Name Vincent Signature Date Feb 11/8		Title: Go Beacon 400W Laser etch	
Do Not Scale the Drawing		Revision:		Part No. Scale: 1:1 Sheet: 1 of 1 Unit: mm A4	

