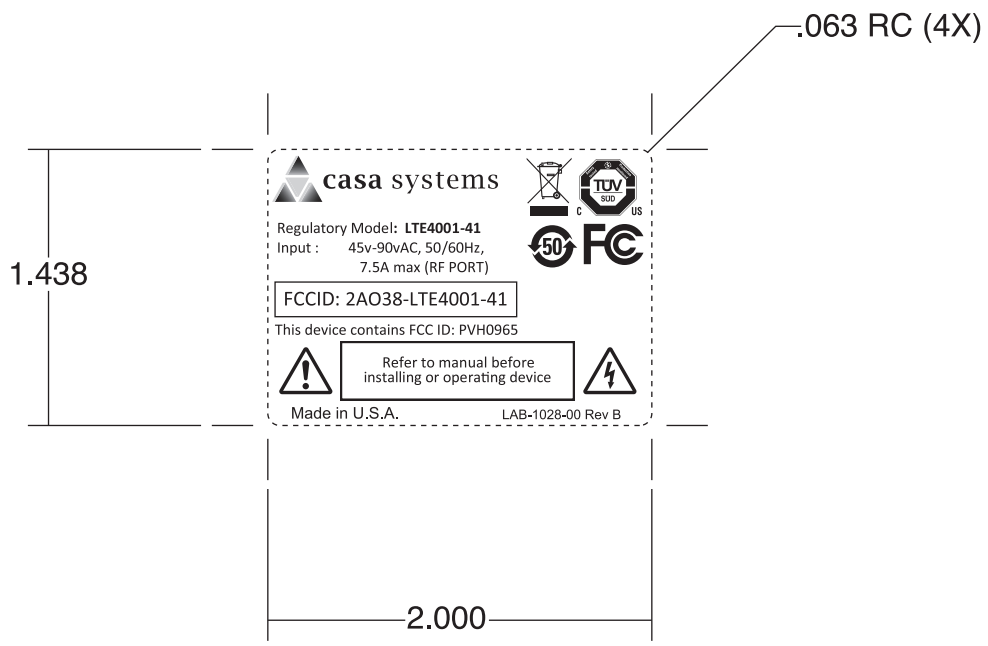


Serial number/MAC address label

FCC ID and Ratings label



# ARTWORK APPROVAL



Size: 2.000 X 1.438 .063 RC  
 Customer Supplied Artwork:

YES  NO

- Colors:
- 100% BLACK
  - 20% BLACK
  - 40% BLACK
  - BLACK GRADIENT
  - WHITE (MAT'L)

**\* FOR GRAPHIC APPROVAL ONLY. DOES NOT REPRESENT ACTUAL PRODUCTION COLORS \***  
 DASHED LINES INDICATE POSITION OF DIE-CUT ONLY!

Art Verification Approval

Designer \_\_\_\_\_  
 11/7/18  AA

Supervisor \_\_\_\_\_  
  TMT

**CUSTOMER:** CASA SYSTEMS

**PO#** C013429

**P/N:** LAB-1035-00

**REVISION:** B      **DESIGN:** 1

**JOB#:** 783387

**DATE:** 11-7-2018      **DESIGNER:** AA

A signed approval must be returned to Techprint, Inc. in order to start production.

Here is your artwork prepared for your review and approval. Please verify every single detail for accuracy before giving us your approval. Your signature indicates that the copy presented is totally error free and is therefore 100% correct. Should any errors be discovered after the printing is complete, then the responsibility for the mistake is yours.

1.  COPY is CORRECT and is APPROVED

SIGNED \_\_\_\_\_ DATE: \_\_\_\_\_

**OR**

2.  COPY is INCORRECT - New proof is required.

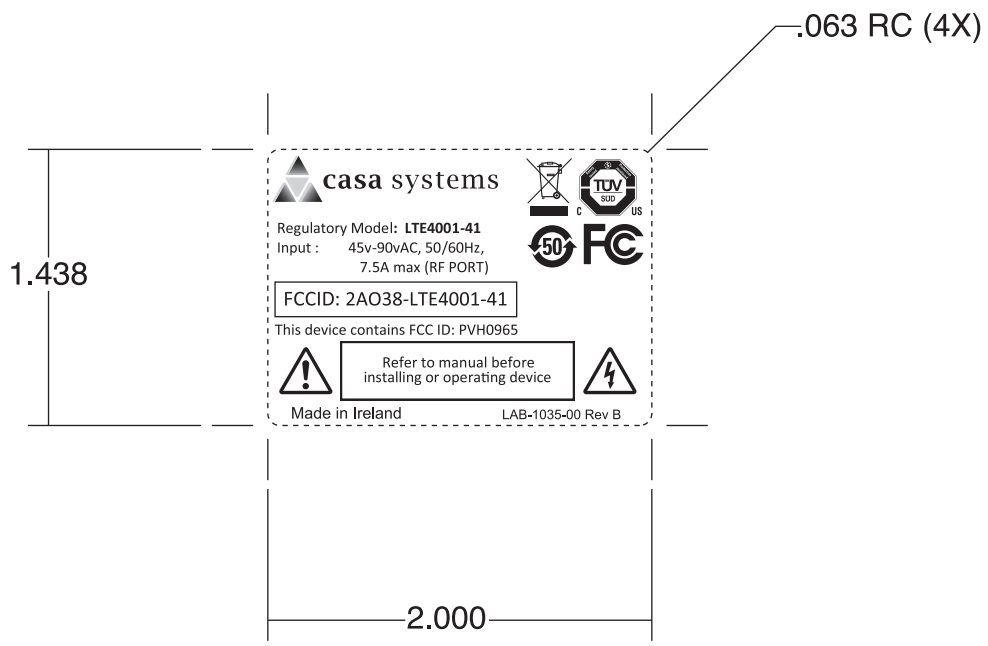
SIGNED \_\_\_\_\_ DATE: \_\_\_\_\_

**Techprint**  
INCORPORATED

137 MARSTON STREET, LAWRENCE, MA 01841  
 800-225-2538 • FAX 978-689-1888  
[www.techprintinc.com](http://www.techprintinc.com)

F-818 Rev. A

# ARTWORK APPROVAL



Size: 2.000 X 1.438 .063 RC  
 Customer Supplied Artwork:

YES  NO

- Colors:
- 100% BLACK
  - 20% BLACK
  - 40% BLACK
  - BLACK GRADIENT
  - WHITE (MAT'L)

**\* FOR GRAPHIC APPROVAL ONLY. DOES NOT REPRESENT ACTUAL PRODUCTION COLORS \***  
 DASHED LINES INDICATE POSITION OF DIE-CUT ONLY!

Art Verification Approval

Designer \_\_\_\_\_  
 11/6/18  AA

Supervisor \_\_\_\_\_  
 \_\_\_\_\_  TMT

**CUSTOMER: CASA SYSTEMS**  
**PO# C013429**  
**P/N: LAB-1035-00**  
**REVISION: B DESIGN: 1**  
**JOB#: 783390**  
**DATE: 11-6-2018 DESIGNER: AA**

**A signed approval must be returned to Techprint, Inc. in order to start production.**

Here is your artwork prepared for your review and approval. Please verify every single detail for accuracy before giving us your approval. Your signature indicates that the copy presented is totally error free and is therefore 100% correct. Should any errors be discovered after the printing is complete, then the responsibility for the mistake is yours.

1.  COPY is CORRECT and is APPROVED  
 SIGNED \_\_\_\_\_ DATE: \_\_\_\_\_

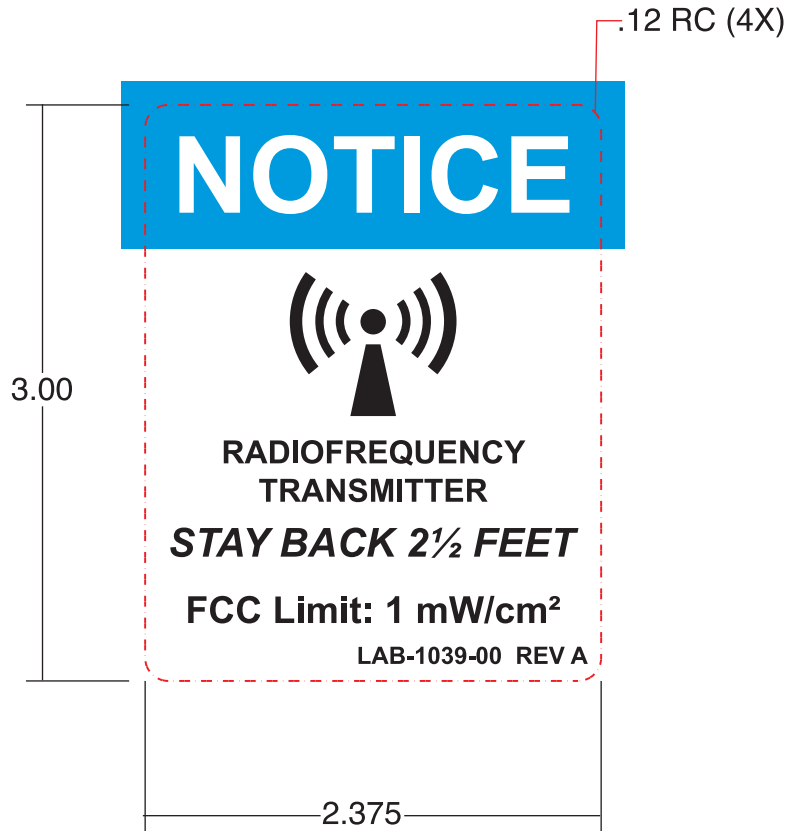
**OR**

2.  COPY is INCORRECT - New proof is required.  
 SIGNED \_\_\_\_\_ DATE: \_\_\_\_\_

**Techprint**  
INCORPORATED  
 137 MARSTON STREET, LAWRENCE, MA 01841  
 800-225-2538 • FAX 978-689-1888  
 www.techprintinc.com

F-818 Rev. A

# ARTWORK APPROVAL



Size: 3.00 X 2.375 .12 RC  
Customer Supplied Artwork:

YES  NO

Colors:  BLACK  
 PMS 2925 BLUE  
 WHITE (MAT'L)

**\* FOR GRAPHIC APPROVAL ONLY. DOES NOT REPRESENT ACTUAL PRODUCTION COLORS \***  
DASHED LINES INDICATE POSITION OF DIE-CUT ONLY!

CUSTOMER: CASA SYSTEMS  
PO# C013104  
P/N: LAB-1039-00  
REVISION: A DESIGN: 2  
JOB#: 781906  
DATE: 9-24-2018 DESIGNER: AA



137 MARSTON STREET, LAWRENCE, MA 01841  
800-225-2538 • FAX 978-689-1888  
www.techprintinc.com

**A signed approval must be returned to Techprint, Inc. in order to start production.**

Here is your artwork prepared for your review and approval. Please verify every single detail for accuracy before giving us your approval. Your signature indicates that the copy presented is totally error free and is therefore 100% correct. Should any errors be discovered after the printing is complete, then the responsibility for the mistake is yours.

1.  COPY is CORRECT and is APPROVED

SIGNED \_\_\_\_\_ DATE: \_\_\_\_\_

**OR**

2.  COPY is INCORRECT - New proof is required.

SIGNED \_\_\_\_\_ DATE: \_\_\_\_\_