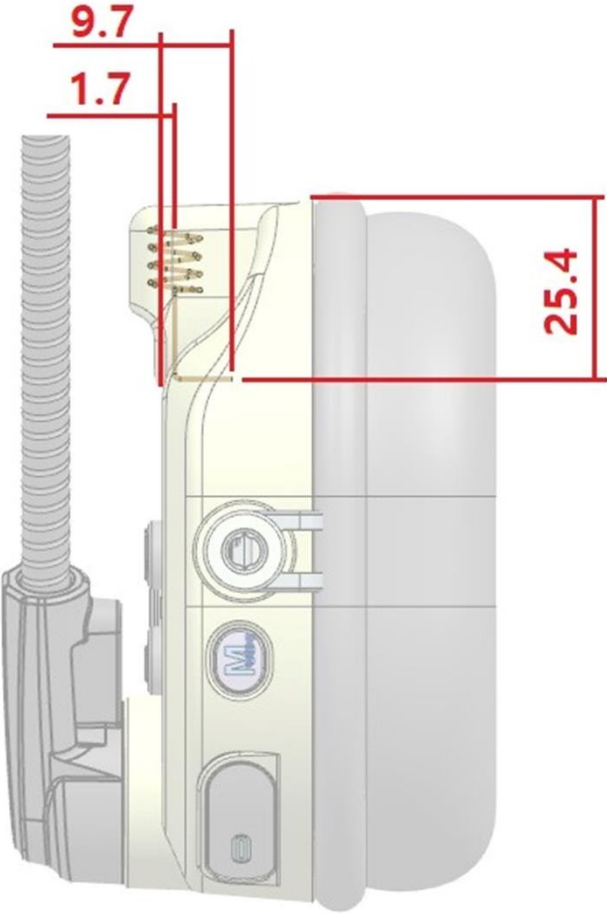
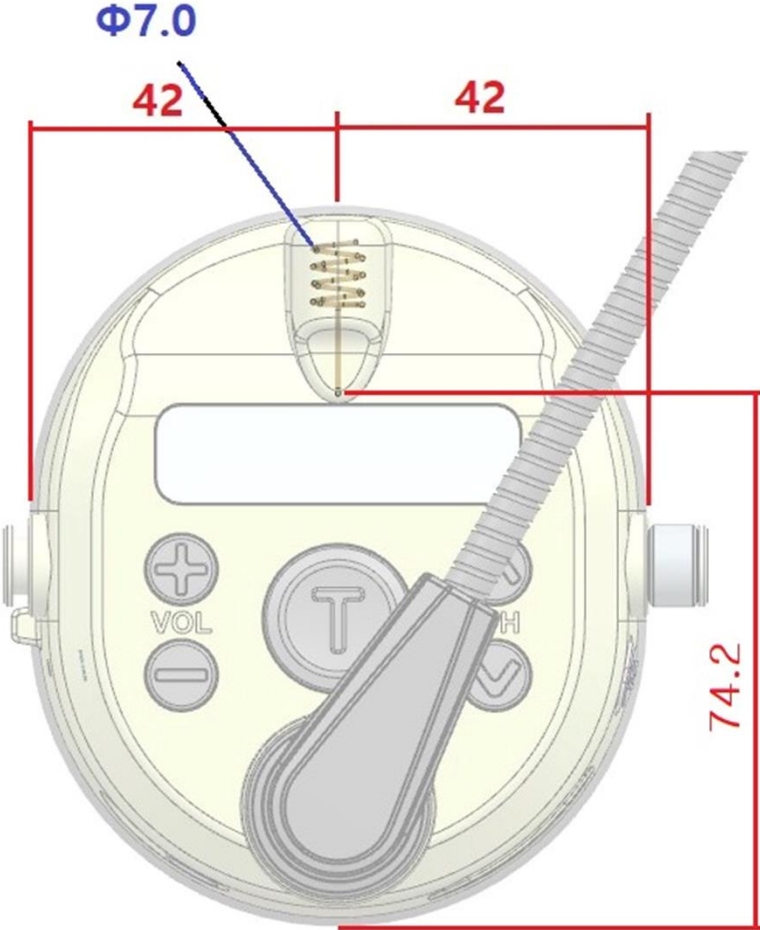


Atlas Pro Antenna location

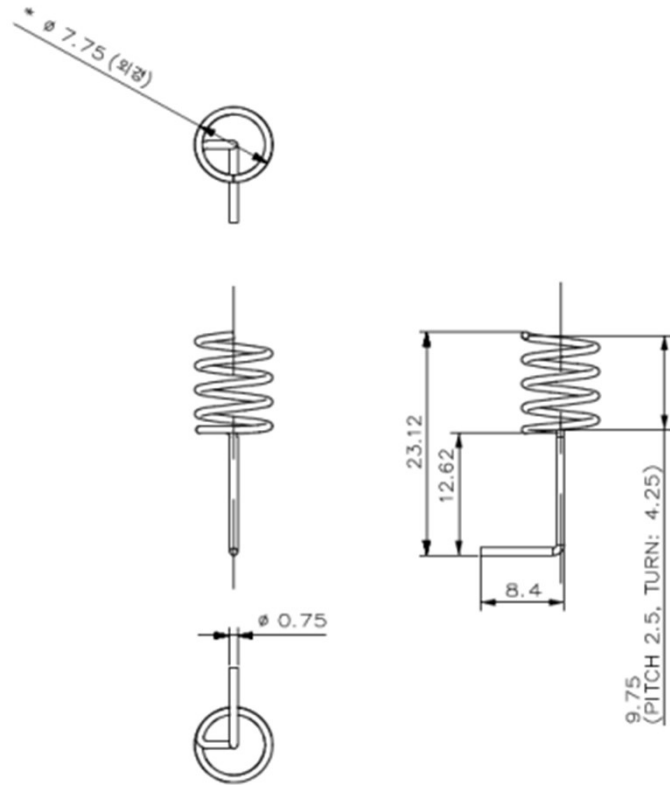


Unit: mm

Antenna Type : HELICAL

Antenna Material : Metal Ni-plated

Antenna Size :



Atlas Pro Antenna radiation

EXIT

Summary

Multiple Frequency

Multiple Cut

3D-View

Reserved

No.	Freq.	Theta-Phi				H(Theta=0)				E1(Phi=0)				E2(Phi=90)				
		Eff.[%]	Avg.[dBi]	Peak[dBi]	Theta[deg]	Phi[deg]	Avg.[dBi]	Peak[dBi]	Phi[deg]	BW[deg]	Avg.[dBi]	Peak[dBi]	Theta[deg]	BW[deg]	Avg.[dBi]	Peak[dBi]	Theta[deg]	BW[deg]
3	902.000	13.00	-8.86	-3.16	140.00	90.00	-10.60	-9.65	165.00	999.00	-11.34	-5.69	-100.00	17.30	-7.24	-3.16	140.00	23.93
4	915.000	18.71	-7.28	-1.32	140.00	90.00	-9.16	-8.26	345.00	999.00	-9.88	-4.62	-100.00	17.20	-5.59	-1.32	140.00	24.46
5	928.000	21.99	-6.58	-0.65	-40.00	90.00	-8.37	-6.75	345.00	264.78	-9.13	-3.85	-105.00	16.41	-4.89	-0.65	-40.00	35.95
6	945.000	19.09	-7.19	-1.37	140.00	90.00	-8.25	-6.23	330.00	242.62	-9.57	-4.10	-105.00	15.71	-5.76	-1.37	140.00	52.68

Plot Data

Polarization :

Theta-pol(H)

Frequency :

- 800,000 [MHz]
- 850,000
- 902,000
- 915,000
- 928,000
- 945,000
- 970,000
- 1000,000

Graph Option

Style

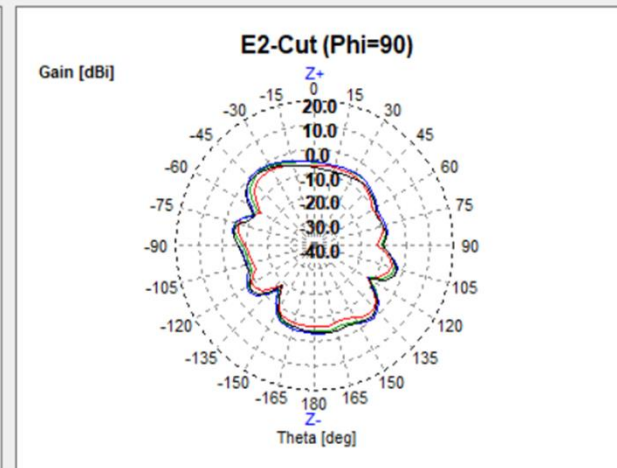
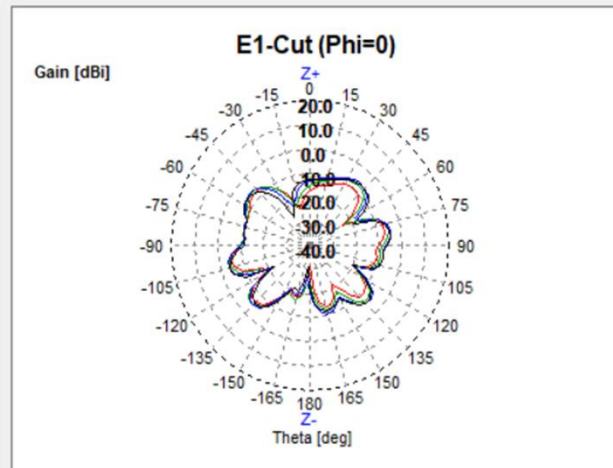
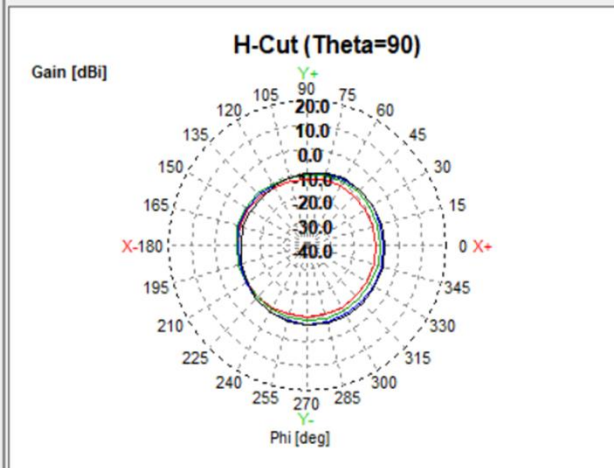
Polar Rectangular

Zoom

H-Cut E1-Cut E2-Cut

Scale

Max : 20 Apply
Min : -40



Atlas Pro Antenna radiation

Summary
Multiple Frequency
Multiple Cut
3D-View
Reserved
EXIT

No.	Freq.	Phi-Pol'		H(Theta=)		E1(Phi=0)		E2(Phi=90)										
		Eff.[%]	Avg.[dBi]	Peak[dBi]	Theta[°]	Phi[deg]	Avg.[dBi]	Peak[dBi]	Phi[deg]	BW[deg]	Avg.[dBi]	Peak[dBi]	Theta[°]	BW[deg]	Avg.[dBi]	Peak[dBi]	Theta[°]	BW[deg]
3	902.000	11.22	-9.50	-3.63	-85.00	15.00	-7.59	-4.02	195.00	69.06	-6.75	-4.10	-85.00	18.61	-16.54	-11.62	-80.00	54.11
4	915.000	16.59	-7.80	-2.16	-85.00	30.00	-5.77	-2.23	195.00	72.77	-5.09	-2.44	-90.00	18.12	-14.91	-10.16	-100.00	48.19
5	928.000	18.63	-7.30	-1.48	-90.00	15.00	-5.15	-1.48	195.00	74.80	-4.47	-1.79	-90.00	17.50	-14.23	-9.31	-90.00	42.01
6	945.000	15.05	-8.23	-2.55	-90.00	15.00	-6.20	-2.55	195.00	77.50	-5.27	-2.94	-90.00	17.66	-15.17	-10.49	-85.00	37.80

H-Cut (Theta=90)

Gain [dBi]

Phi [deg]

E1-Cut (Phi=0)

Gain [dBi]

Theta [deg]

E2-Cut (Phi=90)

Gain [dBi]

Theta [deg]

Plot Data

Polarization : Phi-pol(V)

Frequency :
 800,000
 850,000
902,000
 915,000
 928,000
 945,000
 970,000
 1000,000
 [MHz]

Graph Option

Style : Polar Rectangular

Zoom :

Scale : Max : Min :

Microwave Technologies Group