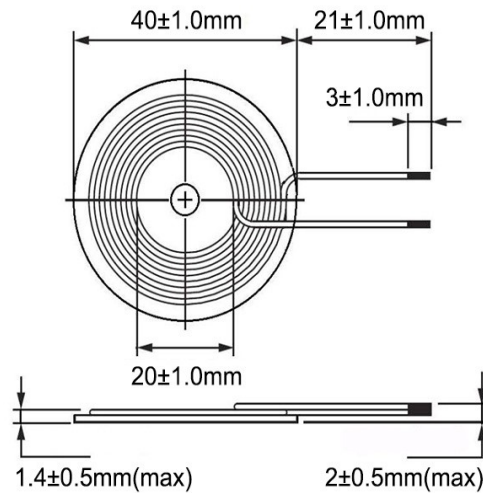


SPECIFICATION FOR APPROVAL

Product Appearance & Dimensions



Product Electrical characteristics

(Parameter)	(Value)
(Product name) :	无线充电线圈模组
(Product number) :	AWM-40100
(Ferrite type) :	AWF-40100
(Coil type) :	AWC-A11
(Coil Turns) :	10Ts (10ts x 1Layers)
(Inductance) :	6.8 μ H \pm 10%
(Q Value) :	70 (Min.)
(DC Resistance) :	0.06 Ω (Max.)
(Testing Instrument) :	TH2816B @100kHz、1Vrms; TH2512B At 25°C