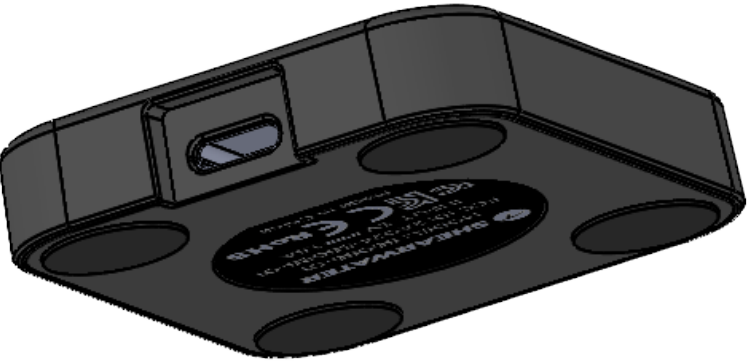
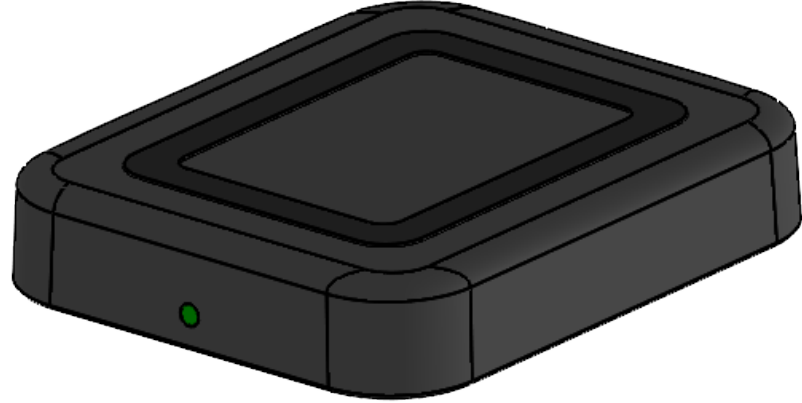
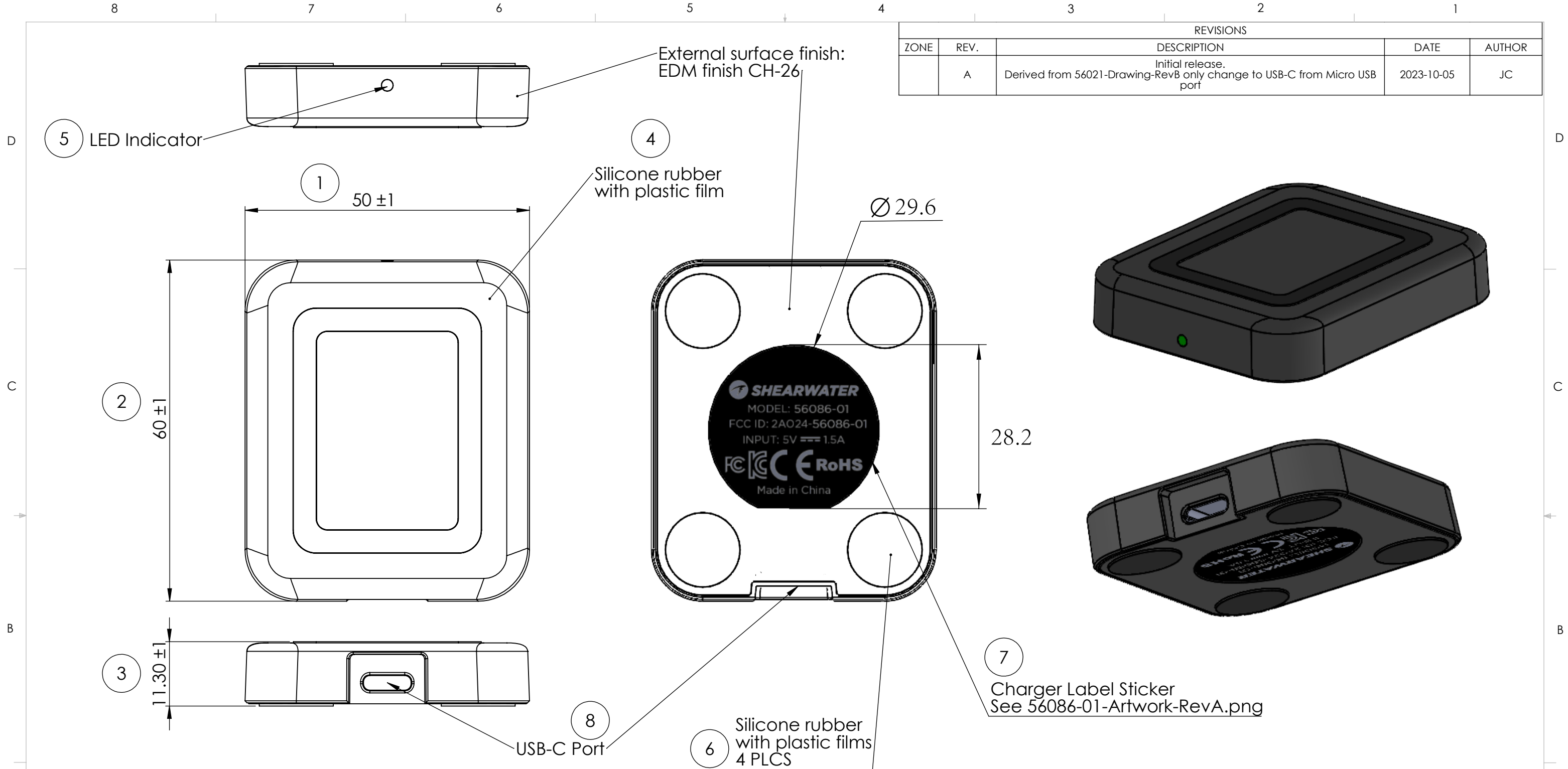



REVISIONS				
ZONE	REV.	DESCRIPTION	DATE	AUTHOR
	A	Initial release. Derived from 56021-Drawing-RevB only change to USB-C from Micro USB port	2023-10-05	JC



- 9 Note:
1. Exterior surfaces to be free of all visible defects
 2. All gate, parting lines and ejector pins to be approved by Shearwater.
 3. All undimensioned features controlled by the CAD model.
 4. Corners without indication should be R0.2mm. C0.2mm or less.
 5. Flash tolerance 0.1mm maximum.
 6. No regrind allowed.
 7. All sharp edges deburred.
 8. Package to protect against shipping and handling damage.
 9. All material used must be in compliance with EU Directive 2011/65/EU and as amended by EU Directive 2015/863 on the restriction of the use of hazardous substances in electrical and electronic equipment (also known as "RoHS 3")

Proprietary and Confidential
The information contained in this drawing is the sole property of Shearwater Research. Any reproduction in part or as a whole without the written permission of Shearwater Research is prohibited

Material: PC + ABS Black	 SHEARWATER Richmond, Canada
Global Tolerances: (if not specified) Linear: ±0.20mm Angular: ± 1° Unless otherwise specified, dimensions are in millimeters	
Symbol Legend: [3.14] Indicates a basic dimension, and is not affected by global tolerance [3,14] Indicates the dimension is in inches.	Part Name: Peregrine Charger Pad USB-C
	Part#: 56086-01 Revision: A
	Drawing #: 56086-01-Drawing-RevA
	Drawn: Jeff Cervantes Date: 2023-10-05 Sheet 1 of 1