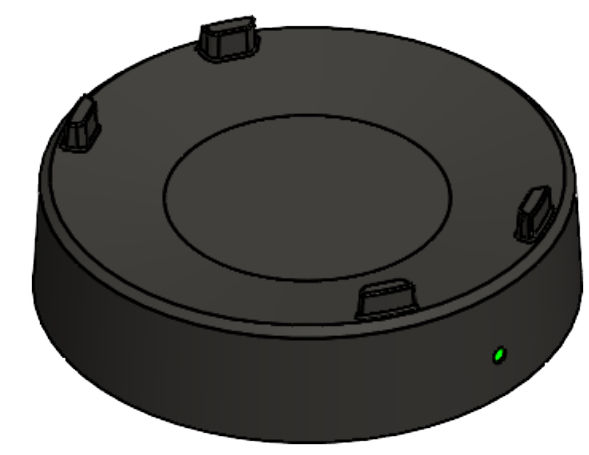
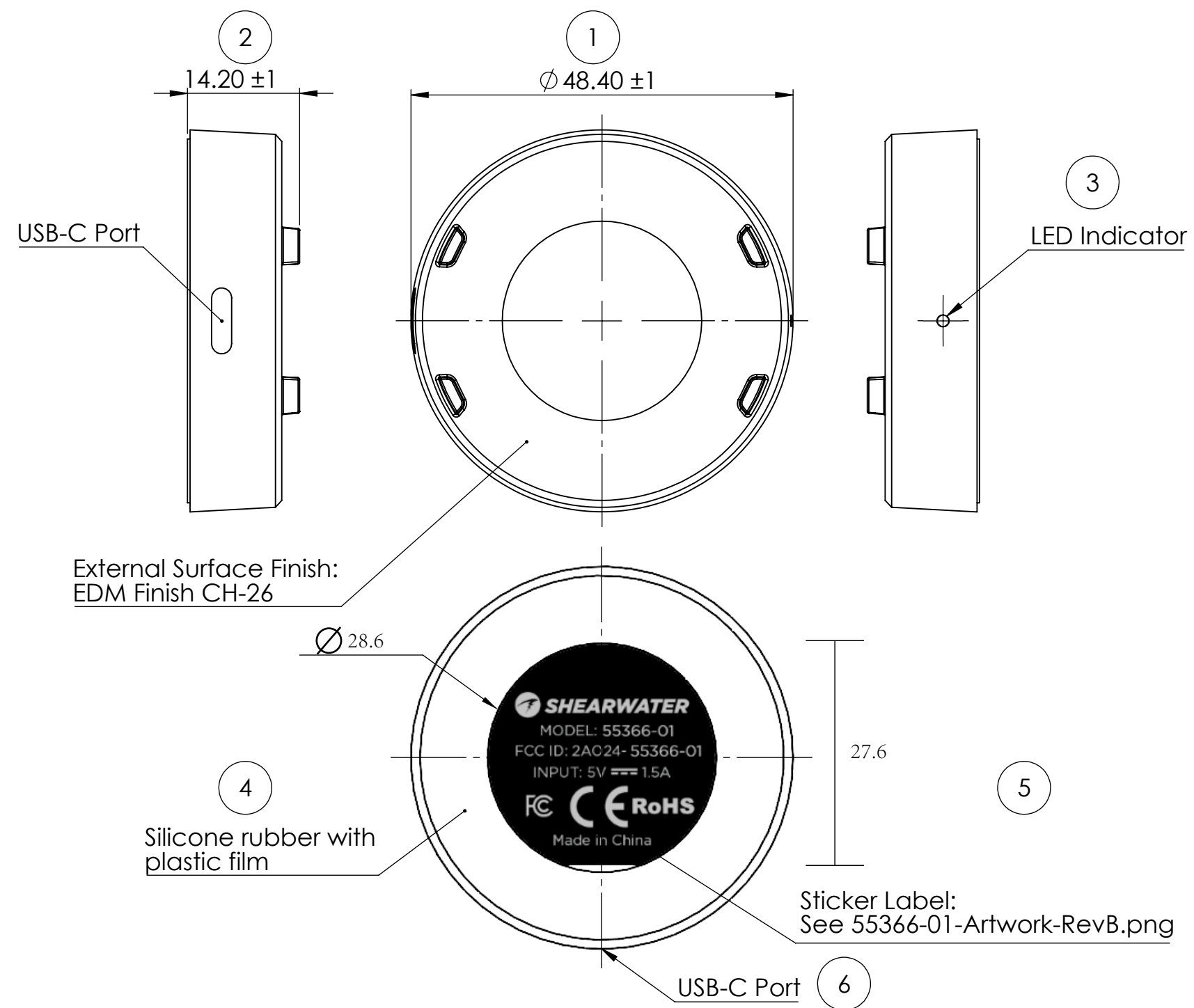


REVISIONS				
ZONE	REV.	DESCRIPTION	DATE	AUTHOR
	A	Initial release	2023-08-25	JC
	B	Added balloons for IQC inspection	2023-10-05	JC



- 7 Note:
- Exterior surfaces to be free of all visible defects
 - All gate, parting lines and ejector pins to be approved by Shearwater
 - All undimensioned features controlled by the CAD model
 - Corners without indication should be R0.2mm. C0.2mm or less
 - Flash tolerance 0.1mm Max.
 - No regrind allowed
 - All sharp edges deburred
 - Package to protect against shipping and handling damage
 - All material used must be in compliance with EU Directive 2011/65/EU and as amended by EU Directive 2015/863 on the restriction of the use of hazardous substances in electrical and electronic equipment (also known as "RoHS 3")
- 8

Material:
PC + ABS
Black

Global Tolerances: (if not specified)
Linear: ±0.20mm
Angular: ± 1°
Unless otherwise specified,
dimensions are in millimeters

SHEARWATER
Richmond, Canada

Part Name: Tern Charger Pad USB-C

Symbol Legend:
[3.14] Indicates a basic dimension, and is not affected by global tolerance
[3,14] Indicates the dimension is in inches.

Part#: 55366-01 Revision: B
Drawing #: 55366-01-Drawing-RevB
Name: Jeff Cervantes Date: 2023-10-05
Drawn: Sheet 1 of 1

Proprietary and Confidential
The information contained in this drawing is the sole property of Shearwater Research. Any reproduction in part or as a whole without the written permission of Shearwater Research is prohibited