

规格承认书

SPECIFICATION FOR APPROVAL

RoHS COMPLIANT

客 户: 深圳爱科思达科技有限公司
CUSTOMER: Shenzhen Aquilstar Technology Co., Ltd.

产品型号:
DESCRIPTION: TX5005(D20)-6.3uH

客户料号:
CUSTOMER NO: 3.2.1.1.064.0021

样板编号:
Kind plank NO:

日 期:
DATE: 2023年5月23日

拟制 PREPARED	审核 CHECKED	批准 APPROVED	客户承认 CUSTOMER APPROVED
黎有富	孙宗维	赖耿森	

承认书签章后请寄回承认书一份
PLEASE RETURN TO US ONE COPY OF "SPECIFCATON FOR APPROVAL" WITH YOUR
APPOVED SIGNATURES



深圳市金昊德科技有限公司
SHENZHEN JINHAODE TECHNOLOGY CO.,LTD
地址: 深圳市宝安区西乡街道盐田商务广场A座6楼613
TEL: 0755-27912636 27916126 FAX: 0755-27945683



深圳市金昊德科技有限公司

地址：深圳市宝安区西乡街道盐田商务广场A座6楼613

TEL: 0755-27912636 27916126 FAX: 0755-27945683

客户名称 CUSTOMER	深圳爱科思达科技有限公司 Shenzhen Aquilstar Technology Co., Ltd.	客户料号 CUSTOMER NO	3.2.1.1.064.0021
产品型号 DESCRIPTION	TX5005(D20)-6.3uH	日期DATE	2023年5月23日

修订记录 Revision record

日期 Date	修订内容 Modify the content	版本 Version	审核 Checked	确认 Approved
2023年5月23日	首次发行	V01	孙宗维	赖耿森

产品图片 Product Picture





深圳市金昊德科技有限公司

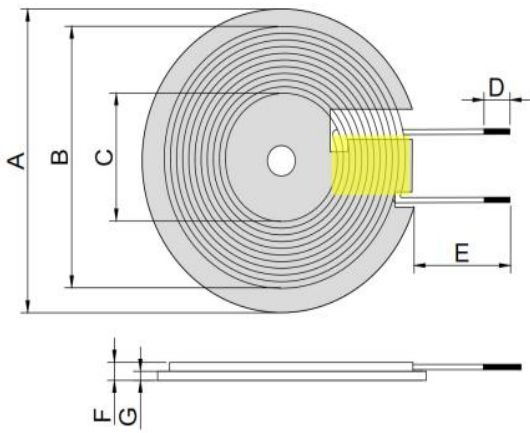
地址：深圳市宝安区西乡街道盐田商务广场A座6楼613

TEL: 0755-27912636 27916126 FAX: 0755-27945683

SPECIFICATION FOR APPROVAL

CUSTOMER	深圳爱科思达科技有限公司	CUST P/N.	3.2.1.1.064.0021
ITEM	TX5005(D20)	Description	TX5005(D20)-6.3uH
PART NO.		DATE	2023年5月23日

(1) DIMENSION(UNIT:mm)



A	50	±1	mm
B	43	±1	mm
C	20.5	±1	mm
D	3	±1	mm
E	8	±1.5	mm
F	4.5	Max	mm
G	1.0	±0.1	mm

NOTE: 1.隔磁片贴有孔厚度1.5mm黑色泡棉（双面3m背胶）。 2.线圈中间包高温胶纸宽5mm±1mm
3.磁片L开槽开孔5.2mm±0.5mm，厚度为1.0mm±0.1mm。

(2)ELECTRONIC SPECIFICATION: (AT 25°C)

- INDUCTANCE: (测试仪: VR1163 200KHz, 测试条件:100KHz /1.0V) L(1-2)=6.3uH ±10%
- DCResistance:(25°C) DCR(1-2)=65mΩ Max
- (TH2869AX 100KHZ /1.0V) Q值:70 REF

NO	NAME	MATERIAL	SUPPLIER	UL NO	CLASS
1	WIRE	QARSN	SHENGZHEN JINMA NEW MATERIALS TECHNOLOGY CO., LTD (or equivalent)	E514717	130°C
2	Magnetic disk	CP500501	JINRUI CO., LTD (or equivalent)	N/A	
3					
4					
5					

NO	START	FINISH	WIRE	COLOR	TURNS	INDUCTANCE
N1	1	2	自粘丝包线Φ0.08 105P	N	10 REF	6.3 uH ±10%



深圳市金昊德科技有限公司

地址：深圳市宝安区西乡街道盐田商务广场A座6楼613

TEL: 0755-27912636 27916126 FAX: 0755-27945683

TEST DATA FOR PREPRODUCTION SAMPLES

CUSTOMER	深圳爱科思达科技有限公司			CUST P/N.	3.2.1.1.064.0021		
Description	TX5005(D20)-6.3uH	Test Q'ty: 5PCS		Date	2023年5月23日		
Test range	Electrical parameters			Appearance size			
MEASURE ITEM	L uH	DCR (mΩ)	Q值	A (mm)	B (mm)	C (mm)	D (mm)
SPECIFIC	6.3	65.0	70.0	50.0	43.0	20.5	3.0
SUGGEST	±10%	Max	REF	±1	±1	±1	±1
1	6.31	38.56	93	√	√	√	√
2	6.41	39.09	92	√	√	√	√
3	6.46	38.13	92	√	√	√	√
4	6.31	39.18	93	√	√	√	√
5	6.51	39.66	93	√	√	√	√
6							
7							
8							
9							
10							
X	6.4	38.924	√	√	√	√	√
R	0.2	1.53	√	√	√	√	√
TEST CONDITION	INSTRUMENTS				AT:	100KHz	1.0V
	ENVIORMENTS	TEMP:25 degree HUMDITY :65%					
	STORAGE TEMPERATURE RANGE	-40°C~+85°C					
	OPERATING TEMPERATURE RANGE	-40°C~+105°C					



深圳市金昊德科技有限公司

地址：深圳市宝安区西乡街道盐田商务广场A座6楼613

TEL: 0755-27912636 27916126 FAX: 0755-27945683

SPECIFICATION FOR APPROVAL

Warranty (保证书)

All standard parts guaranteed to be free defects in material and workmanship, and are warranted to meet the JINHAODE published. No other warranty expressed or implied is made by JINHAODE. All special parts manufactured to a customer's specification are guaranteed to the extent agreed upon in writing between JINHAODE and the users.

JINHAODE will repair/replace units the following conditions:

1. The buyer must notify JINHAODE in writing 60 days of receipt of material, that they request authorization to return the parts. A description of the complaint and samples must be included.
2. JINHAODE must determine to its satisfaction that the parts are defective, and the defect not due to misuse, accident, poor engineering practices or improper application.

JINHAODE liability shall in no event exceed the cost of repair or replacement of its parts. This warranty does not extend to any materials that has been altered or repaired by others without our written authorization.

Under no circumstance shall JINHAODE have any liability whatsoever for the loss of anticipated profits, interruption of operations, or for special, incidental or consequential damages.

所有标准件为无论材料及作业上的保证符合金昊德公司之所发行之规格，但金昊德公司不保证，无任何书面上之事项，客户制订之特殊规格产品必须依据金昊德及客户之间之书面上之同意。

在以下条件下金昊德公司同意修改 / 更换:

1. 买方收到货之后国内30天/国外60天之内，必须书面上通知金昊德公司要求退货，以上包含客户抱怨及样品。
2. 金昊德公司有权决定产品是否为确实不良，但不良不包含意外、操作错误、使用不当及人为因素所造成。
3. 金昊德公司所负责范围不包含:修改成本及材料之补充，此保证书不保证金昊德公司书面授权者之外之修改。
4. 本公司保留变更规格之权利。

金昊德公司所负责之范围不包含:利益之损失、生产线之停止，或特殊情况及意外之损坏。