

**WARNING**

- Remove and immediately recycle or dispose of used batteries according to local regulations and keep away from children. Do NOT dispose of batteries in household trash or incinerate.
- Even used batteries may cause severe injury or death.
- Call a local poison control center for treatment information.
- The remote control supplied with this product contains a CR1632 coin/button cell battery.
- The battery voltage is 3V.
- Non-rechargeable battery is not to be recharged.
- Do not force discharge, recharge, disassemble, heat above (manufacturer's specified temperature rating) or incinerate. Doing so may result in injury due to venting, leakage or explosion resulting in chemical burns.

**Battery Warning:**

- Ensure the batteries are installed correctly according to polarity (+ and -).
- Do not mix old and new batteries, different brands or types of batteries, such as alkaline, carbon-zinc, or rechargeable batteries.
- Remove and immediately recycle or dispose of batteries from equipment not used for an extended period of time according to local regulations.
- Always completely secure the battery compartment. If the battery compartment does not close securely, stop using the product, remove the batteries, and keep them away from children.



**WARNING:** Contains coin battery

**WARNING**

- INGESTION HAZARD:** This product contains a button cell or coin battery.
- DEATH** or serious injury can occur if ingested.
- A swallowed button cell or coin battery can cause **Internal Chemical Burns** in as little as **2 hours**.
- KEEP** new and used batteries **OUT OF REACH OF CHILDREN**
- Seek immediate medical attention** if a battery is suspected to be swallowed or inserted inside any part of the body.



**included**

- Tripod selfie stick with stabilizer
- Selfie remote
- USB-A to USB-C charging cable

**light indicators for selfie remote**

- Flashing blue - ready to Pair
- No blue light - paired
- Flashing red - low battery

**selfie remote**

- Extend the telescope pole and remove the selfie remote
- Hold the camera button to power on, be sure to remove the protective film on the battery
- The indicator light will flash blue when it is ready to pair
- Use the bluetooth settings on your phone to pair with "HEYDAY REMOTE 02"
- The remote is connected when the indicator light turns off
- Open the camera on your phone and use the shutter button to take pictures; the light will flash each time a photo is taken
- The remote will enter stand by mode after 10 minutes of no use, it will automatically shut down after 10 minutes of no use; hold the camera button to turn the selfie remote off
- If the indicator light is flashing red the battery is low, replace the CR1632 battery note: the selfie remote is compatible with iPhone iOS 5.0 and newer, Android 4.2.2 and newer (Android devices: if you change your "Volume key function", be sure to change it to default, or "take a picture" to let the selfie stick function normally)

**light indicators for stabilizer**

- Solid red - charging
- No red light - charging complete
- Flashing red - low battery

**stabilizer**

- The stabilizer requires approximately 2.5 hours to fully charge but may take longer
- Using the USB-C cable provided, plug the USB-C end into the stabilizer and opposite end into the USB-A power supply of at least DC 5V 300mA

**installation tips**

- If the tripod is unstable, adjust the position of the arm and the height of the telescope pole for extra stability **note:** maximum weight of 300g when legs fully extended and spread
- Be sure not to press down on the tripod too forcefully as this may damage the legs
- To avoid damaging your phone, make sure that the screw is fully tightened before placing your phone into the holder
- Always be aware of your surroundings; do not use the stand as a selfie stick in potentially dangerous situations such as driving, walking, or situations that require your full attention

**need some help?**

Can't get the stand to stay up? Have a question or comment?



call us at: 1-833-TGT-Tech or: 1-833-848-8324

**safety**

- Do not use near any water source
- Do not modify or repair this device
- Do not use in high temperatures or extreme weather
- Do not use chemical detergents to clean your device, use a soft dry cloth

**heyday**

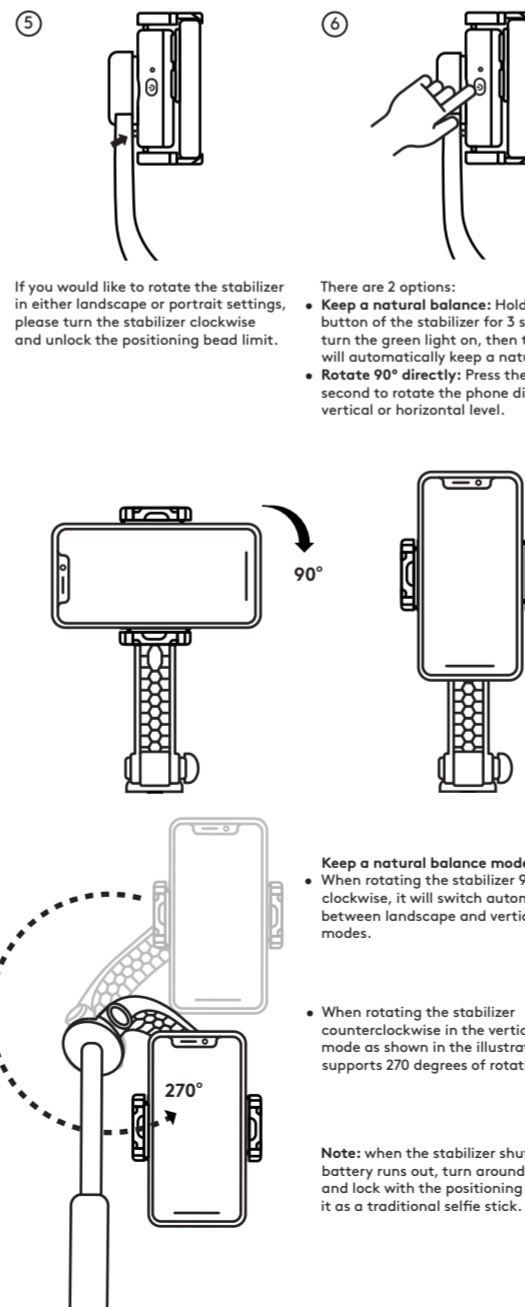
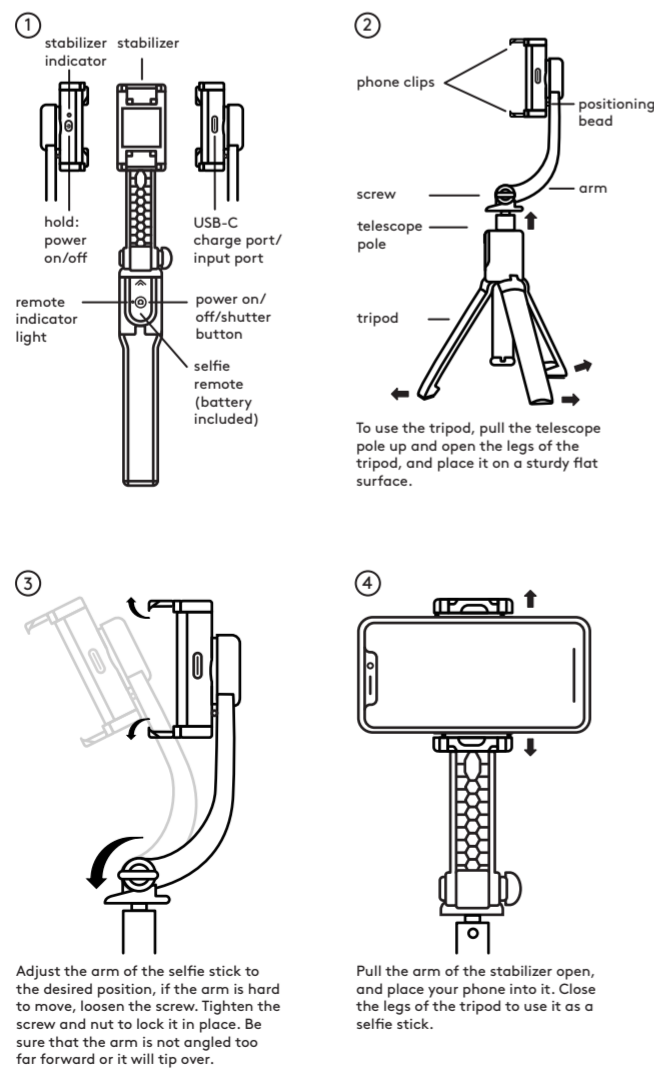
FCC ID: 2AC23-YC13868 Selfie Remote Model: YC13868 Tripod selfie stick with stabilizer Model: YC13866 Input: 5V 300mA max Rechargeable Battery Capacity: 3.7V 1000mAh/7.4Wh. Made in China  
 This device complies with Part 15 of the FCC rules. Operation is subject to the following two conditions: 1) this device may not cause harmful interference, and 2) this device must accept any interference received, including interference that may cause undesired operation.  
 Warning: Changes or modifications to this unit not expressly approved by the party responsible for compliance could void the user's authority to operate the equipment.  
 NOTE: This equipment has been tested and found to comply with the limits for a Class B digital device, pursuant to Part 15 of the FCC Rules. These limits are designed to provide reasonable protection against harmful interference in a residential installation. This equipment generates, uses and can radiate radio frequency energy and, if not installed and used in accordance with the instructions, may cause harmful interference to radio communications. However, there is no guarantee that interference will not occur in a particular installation. If this equipment does cause harmful interference to radio or television reception, which can be determined by turning the equipment off and on, the user is encouraged to try to correct the interference by one or more of the following measures:  
 • Reorient or relocate the receiving antenna.  
 • Increase the separation between the equipment and receiver.  
 • Connect the equipment into an outlet on a circuit different from that to which the receiver is connected.  
 • Consult the dealer or an experienced radio/TV technician for help.  
 The device has been evaluated to meet general RF exposure requirements. The device can be used in portable exposure condition without restriction.  
 Target Corp. Hqs. 15423 Prairie - 612-358-6073  
 For qualified repair specialists requesting repair information and parts please contact the original manufacturer at customersupport@gemfindyour.com

welcome!



hey! welcome to your Heyday™ tripod selfie stick with stabilizer. let's get you set up.

**tripod selfie stick with stabilizer**



**battery installation**

