

Chug, Inc.

Label Artwork and Location

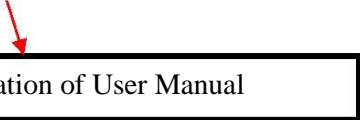
We declare that:

Applicant: Chug, Inc.

Address: 7157 Shady Oak Road Eden Prairie, Washington Minnesota United States

Date: 2022.02.15

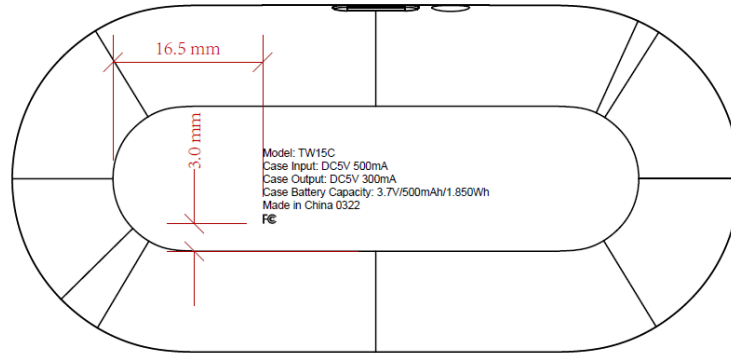
Subject: Request for FCC ID: 2AO23-TW15C



FCC ID location of User Manual

This application for FCC certification is for Bluetooth technology. The charging case only has the function of charging the earbuds, the earbuds with Bluetooth technology is the RF body. However, because the earbuds body area is too small, the FCC ID number is reflected in the random instruction.

Label



Label location

