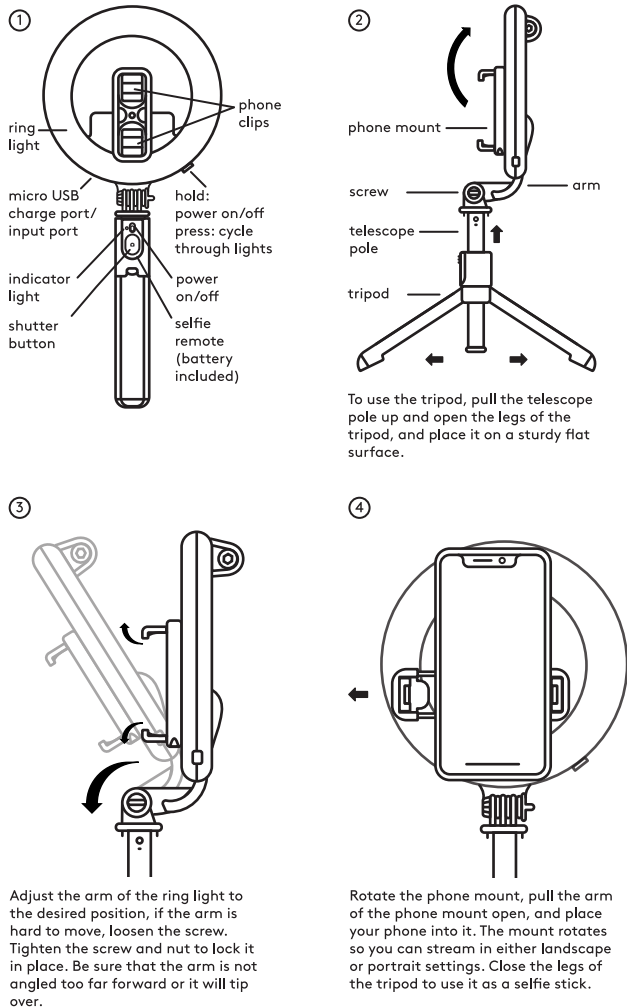


4 in

## tripod selfie stick with ring light



6.67 in

### included

- Tripod selfie stick with ring light
- Selfie remote
- Micro-USB charging cable

### light indicators for selfie remote

- Flashing white rapidly - ready to pair
- No white light - paired
- Flashing red - low battery

### selfie remote

- Extend the telescope pole and remove the selfie remote
- Be sure to remove the protective film on the battery, slide the power button up to power on
- The indicator light will rapidly flash white when it is ready to pair
- Use the bluetooth settings on your phone to pair with "HEYDAY REMOTE 02"
- The remote is connected when the indicator light turns off
- Open the camera on your phone and use the shutter button to take pictures; the light will flash each time a photo is taken
- Press and hold the shutter button to start recording video, the indicator light will stay lit during the duration of the video recording; let go of the shutter button to stop recording
- The remote will enter stand by mode after 10 minutes of no use, slide the power button down to turn the selfie remote off
- If the indicator light is flashing red the battery is low, replace the CR1632 battery note: the selfie remote is compatible with iPhone iOS 5.0 and newer, Android 4.2.2 and newer (Android devices: if you change your "Volume key function", be sure to change it into default, or "take a picture" to let the selfie stick function normally)

### ring light

- The ring light requires approximately 3 hours to fully charge but may take longer
- Using the micro-USB cable provided, plug the micro-USB end into the ring light and opposite end into the USB-A power supply of at least DC 5V 1A warning: please use UL compliant power supply
- Hold the power button to turn the light on/off
- Press the power button to cycle through cool, warm, and bright light temperature settings note: the ring light will recall the last setting when turned back on; run time for maximum brightness on is 1.5 hours

### installation tips

- If the tripod is unstable, adjust the position of the phone mount for extra stability note: maximum weight of 300g when legs fully extended and spread
- Be sure not to press down on the tripod too forcefully as this may damage the legs
- To avoid damaging your phone, make sure that the screw is fully tightened before placing your phone into the mount
- Always be aware of your surroundings; do not use the stand as a selfie stick in potentially dangerous situations such as driving, walking, or situations that require your full attention

### need some help?

Can't get the stand to stay up? Have a question or comment?



call us at: 877-698-4883 or: 877-MyTgtTech



online at: TargetTechSupport.com

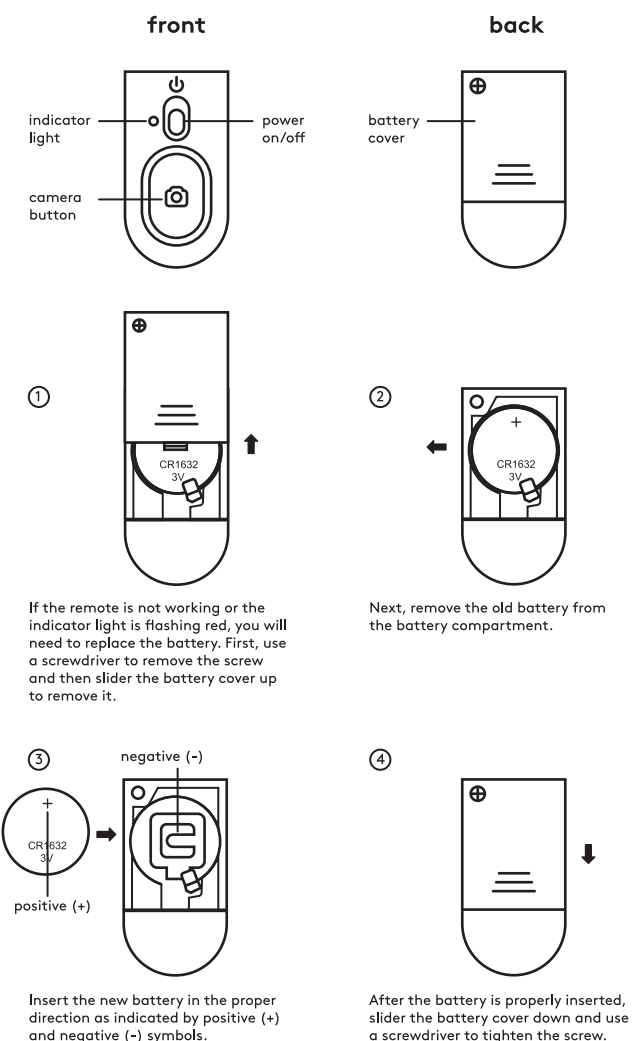
### safety

- Do not use near any water source
- Do not modify or repair this device
- Do not use in high temperatures or extreme weather
- Do not use chemical detergents to clean your device, use a soft dry cloth

Target Corp. Mpls. MN, 55403 Phone: 1-612-304-6073

front

## selfie stick remote



### ⚠ WARNING

- Chemical Burn Hazard. Keep batteries away from children. Do not ingest the battery.
- The remote control supplied with this product contains a coin/button cell battery. If the coin/button cell battery is swallowed, it can cause severe internal burns in just 2 hours and can lead to death.
- Keep new and used batteries away from children.
- If the battery compartment does not close securely, stop using the product and keep it away from children.
- If you think batteries might have been swallowed or placed inside any part of the body, seek immediate medical attention.

### Battery Warning:

- Insert the battery in the proper direction as indicated by positive (+) and negative (-) markings in the battery holder.
- Remove a depleted battery promptly and recycle or dispose of it in accordance with Local and National Disposal Regulations.
- If a battery leaks, remove it and recycle or dispose of it in accordance with battery manufacturer's instructions and Local and National Disposal Regulations. If fluid from the battery comes into contact with skin or clothes, flush with water immediately.
- Remove the battery if your device is to be stored for an extended period of time without being used.

### heyday

FCC ID: 2A023-SSRT Selfie Remote Model: SSRT Tripod selfie stick with led ring light Model: SSRT1 Micro-USB Input: 5V 1A max Made in Vietnam  
 This device complies with Part 15 of the FCC rules. Operation is subject to the following two conditions: 1) this device may not cause harmful interference, and 2) this device must accept any interference received, including interference that may cause undesired operation.  
 Warning: Changes or modifications to this unit not expressly approved by the party responsible for compliance could void the user's authority to operate the equipment.  
 NOTE: This equipment has been tested and found to comply with the limits for a Class B digital device, pursuant to Part 15 of the FCC Rules. These limits are designed to provide reasonable protection against harmful interference in a residential installation. This equipment generates, uses and can radiate radio frequency energy and, if not installed and used in accordance with the instructions, may cause harmful interference to radio communications.  
 However, there is no guarantee that interference will not occur in a particular installation. If this equipment does cause harmful interference to radio or television reception, which can be determined by turning the equipment off and on, the user is encouraged to try to correct the interference by one or more of the following measures:  
 • Reorient or relocate the receiving antenna.  
 • Increase the separation between the equipment and receiver.  
 • Connect the equipment into an outlet on a circuit different from that to which the receiver is connected.  
 • Consult the dealer or an experienced radio/TV technician for help.  
 Target Corp. Mpls. MN, 55403 Phone: 1-612-304-6073  
 For qualified repair specialists requesting repair information and parts please contact the original manufacturer at customersupport@gemstfindyours.com

back